

SELF-PROPELLED WINDROWER

MacDon 9250/9350/9352/9352i/9352c

Westward 9250/9350/9352/9352i/9352c

Prairie Star 4940/4950/4952/4952i/4952c

Premier 2940/2950/2952/2952i/2952c

Harvest Pro 8140/8150/8152/8152i/8152c

PARTS CATALOG

MacDon 9250, 9350, 9352, 9352i & 9352c / Westward 9250, 9350, 9352, 9352i & 9352c
Prairie Star 4940, 4950, 4952, 4952i & 4952c / Premier 2940, 2950, 2952, 2952i & 2952c
Harvest Pro 8140, 8150, 8152, 8152i & 8152c Self-Propelled Windrower Parts Catalog

TABLE OF CONTENTS

ALPHABETICAL INDEX ii, iii

CAB

Cab Frame, Seals, Grommets & Mounts 2,3
Cab Upholstery & Insulators..... 4,5
Cab Door & Cab Right Side Panel 6,7
Cab Roof (& Roof Electrical) 8,9
Windows..... 10
Footrest & Side Console Panel 11
Steering Column 12,13
Instrument Panel 14,15
Side Console..... 16
Reel & Conveyor Speed Control 17
Ground Speed Lever..... 18,19
Throttle Control – Cummins Engine 20,21
Throttle Control – Isuzu Engine..... 22,23
Cab Electrical & Wiper 24,25
Seat..... 26,27
Cab Air Conditioning & Blower Group 28,29
Air Conditioning - Engine Group..... 30,31
Heater – Cummins Engine 32,33
Heater – Isuzu Engine..... 34,35

TRACTOR

Main Frame & Covers 36,37
Lift Linkage..... 38,39
Walking Beam & Pivot..... 40
Rear Weight Package 41
Tractor Electrical 42-45
Engine Assembly – Cummins Engine 46-49
Engine Assembly – Isuzu Engine 50-53
Alternator Mounting – Cummins Engine..... 54, 55
Engine Superstructure 56, 57
Fuel System 58, 59
Engine Air Intake – Cummins except XX52c..... 60, 61
Engine Air Intake – XX52i & XX52c..... 62, 63
Engine Cooling..... 64, 65
Air Intake Screen..... 66, 67
Header Drive 68, 69
Bevel Gearbox 70-73
Driveline (Engine to Bevel Gearbox)..... 74, 75

TRACTOR (continued)

Header Drive Pulley 76
Driveline: Tractor to Header, S.N. -138024 77
Driveline: Tractor to Header, S.N. 138025- 78
Neutral Interlock & Pintle Arms 79
Steering & Ground Speed 80, 81
Hydraulics: Header Drive 82, 83
Hydraulics: Cylinder Control..... 84-87
Hydraulics: Header Lift Cylinder Seal Kits..... 88, 89
Hydraulics: Traction Drive 90, 91
Hydraulics: Triple Pump 92, 93
Hydraulics: Double Gear Pump..... 94, 95
Hydraulics: Two Speed Wheel Motor 96, 97
Two-Speed Drive: Wheel Motor Ass'y 98, 99
Hydraulics: Single Speed Wheel Motor 100
Single Speed Drive: Wheel Motor Ass'y..... 101
Power Wheel: Model 6 102, 103
Power Wheel: Model 7 104, 105
Power Wheel: Model 8B..... 106, 107
Power Hub: Model RR..... 108, 109
Drive Wheels & Tires 110, 111
Brake Assembly – Cummins except XX52c ... 112, 113
Brake Assembly – XX52i & XX52c 114, 115
16.5 Forked Casters – XX50/XX40 Tractors ... 116, 117
9.5 Forked Casters – XX50/XX40 Tractors ... 118, 119
Formed Casters – XX50/XX40 Tractors 120, 121
Forked Casters – XX52/XX52i/XX52c Tractors. 122, 123
Formed Casters – XX52/XX52i/ XX52c Tractors124, 125
Safety Decals 126, 127
Information Decals, Reflectors & Paint..... 128, 129
Product Identification Decals..... 130, 131
Optional Hydraulics: Header Angle Kit 132, 133
Optional Hydraulics: Fore/Aft Kit 134, 135
Optional Hydraulics: Header Express Down..... 135
Manifolds..... 137, 137

NUMERICAL LIST 137-147

SUGGESTED STOCKING LIST 148, 149

SERIAL NUMBER BREAKS

The side of the serial number on which the dash (-) appears determines whether the part is used "up to" or "after" the serial number given. Example: -74924 Used on machines up to and including serial number 74924.
74925- Used on machines including and after serial number 74925.

When ordering, be sure the complete and proper serial number is given.

ABBREVIATIONS

L/H - left hand	Left/Right Hand is determined from Operator's position, facing forward.	REF - reference, part number called up elsewhere in catalog
R/H - right hand		NC - national coarse thread
I.D. - inside diameter		NF - national fine thread
O.D. - outside diameter		NA – refers to the naturally aspirated tractor
A/R - as required (quantity varies)		Turbo – refers to the turbo diesel tractor

HARDWARE

Common hardware is not illustrated. Alphabetic references are used to designate position and description of these items.

BOLDED PART NUMBERS INDICATE CHANGE FROM LAST PRODUCTION YEAR

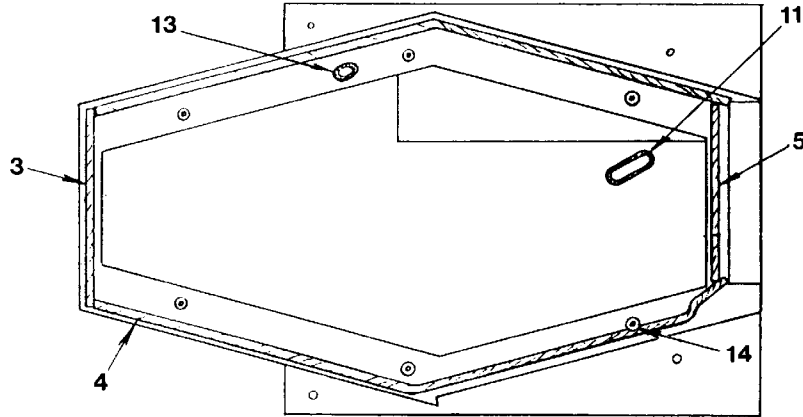
ALPHABETICAL INDEX

<u>A</u>	
Air Cleaner & Pre-Cleaner - Cummins Engine ...	61
Air Cleaner & Pre-Cleaner - Isuzu Engine.....	63
Air Conditioning, Cab	29
Air Conditioning, Engine Group.....	31
Air Intake Screen.....	67
Alternator.....	55
<u>B</u>	
Belt, Fan/Alternator – Cummins Engine.....	47
Belt, Fan/Alternator – Isuzu Engine.....	53
Belt, Header Drive	69
Blower, Cab.....	29
Brake Assembly – Cummins except XX52c	113
Brake Assembly – XX53i, XX52c	115
<u>C</u>	
Cab Seals, Grommets & Mounts.....	3
Casters, Forked – 9352 etc.	117
Casters, 16.5 Forked – 9250/9350 etc.	119
Casters, 9.5 Forked – 9250/9350 etc.	121
Casters, Formed – 9250/9350 etc.....	123
Casters, Formed – 9352/9352i/9352c etc. ..	125
Center Link, Tractor to Header.....	39
Compressor, A/C.....	31
Condenser, A/C.....	31
Control Knobs & Switches.....	16
Conveyor Speed Control, Cab	17
Cooler, Hydraulic Oil	85
Cylinder, Header Clutch	69
Cylinder, Header Lift.....	85
Cylinder, Header Lift: Seal Kits	88, 89
<u>D</u>	
Decals, Information	129
Decals, Product Identification.....	130,131
Decals, Safety	127
Door, Cab.....	7
Driveline: Engine to Bevel Gearbox	75
Driveline: Tractor to Header, Prior to S.N. 138024	77
Driveline: Tractor to Header, S.N. 138025 and above	78
<u>E</u>	
Electrical, Cab	25
Electrical, Ground Speed Lever	19
Electrical, Roof	9
Electrical, Tractor	43
Engine Air Intake – Cummins except XX52c.	61
Engine Air Intake – XX52i & XX52c.....	53
Engine Assembly – Cummins Engine	45
Engine Assembly – Isuzu Engine.....	53
Engine Cooling	65
Engine Superstructure.....	57
Evaporator, A/C.....	29
<u>F</u>	
Fan, Engine – Cummins Engine	47
Fan, Engine – Isuzu Engine.....	53
Filter, Fuel Line	60
Filter, Hydraulic Oil.....	83, 84
Filters, Engine Oil & Fuel – Cummins Engine	47
Filters, Engine Oil & Fuel – Isuzu Engine.....	53
Footrest, Cab	11
Frame, Cab	3
Frame, Tractor	37
Fuel System	60
<u>G</u>	
Gauges.....	15
Gearbox, Bevel	73
Ground Speed Lever.....	19
Ground Speed Linkage	80
<u>H</u>	
Header Drive	70
Header Drive Pulley	76
Heater – Cummins Engine.....	33
Heater – Isuzu Engine	35
Hydraulics: Cylinder Control.....	85
Hydraulics: Double Gear Pump	95
Hydraulics: Header Drive	83
Hydraulics: Optional Header Angle Kit.....	133
Hydraulics: Optional Header Express Down ...	134
Hydraulics: Optional Reel Fore-Aft Kit	135
Hydraulics: Traction Drive	90
Hydraulics: Triple Pump.....	93
Hydraulics: Two Speed Wheel Motor.....	96
Hydraulics: Single Speed Wheel Motor	99
<u>I</u>	
Ignition Switch.....	15
Instrument Panel.....	15
<u>L</u>	
Ladder	37
Lift Linkage.....	39
<u>M</u>	
Manifolds, Supercharge	136
Muffler – Cummins Engine.....	47
Muffler – Isuzu Engine	53
<u>N</u>	
Neutral Interlock.....	78
Numerical List	137
<u>O</u>	
Oil Pressure Switch – Cummins Engine	47
Oil Pressure Switch – Isuzu Engine.....	54

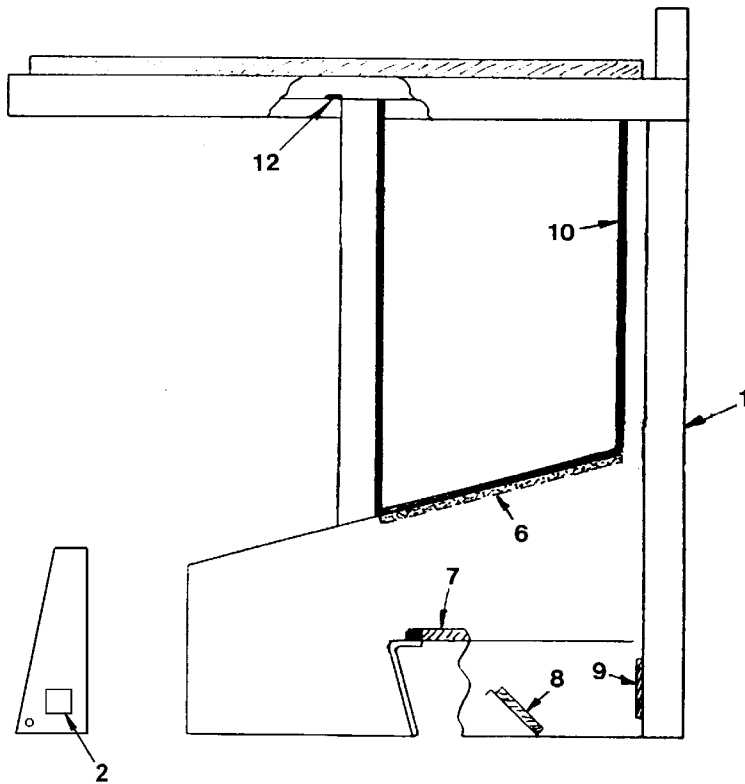
ALPHABETICAL INDEX

<u>P</u>		<u>W</u>	
Paint	129	Walking Beam & Pivot	40
Panel, Cab Right Side	7	Weight Package, Rear	41
Panel, Cab Side Console	11	Wheel Motor Ass'y: Single Speed Drive	101
Panels & Supports, Engine/Rad	58	Wheel Motor Ass'y: Two Speed Drive	99
Pintle Arms, Traction Drive	83	Wheel Motor Components	97
Power Wheel – Model 6	103	Wheels & Tires, Drive	111
Model 7	105	Windows	10
Model 8B	107	Windshield Wiper	25
Power Hub - Model RR	109		
 <u>R</u>			
Radiator	65		
Radiator Supports	57		
Reel Speed Control, Cab	17		
Reflectors	129		
Roof, Cab (& Roof Electrical)	9		
 <u>S</u>			
Seat	27		
Side Console, Cab	16		
Starter – Cummins Engine	47		
Starter – Isuzu Engine	53		
Steering Column	13		
Steering Linkage	81		
Stocking List, Suggested	147, 148		
Switch, A/C Pressure	31		
Switch, Engine Oil & Temperature – Cummins Engine	47		
Switch, Engine Oil & Temperature – Isuzu Engine	53		
Switch, Header and Reel Lift	19		
Switch, Header Drive Neutral	69		
Switch, Hydraulic Oil Pressure	85		
Switch, Neutral	79		
Switches, Side Console	16		
 <u>T</u>			
Tank, Hydraulic Oil	91		
Temperature Sender & Switch – Cummins Engine	51		
Temperature Sender & Switch – Isuzu Engine	53		
Throttle Control – Cummins Engine	21		
Throttle Control – Isuzu Engine	23		
Tires, Caster	117, 119, 121, 123, 125		
Tires, Drive	111		
Tool Box	37		
Two-Speed Drive: Wheel Motor Assembly	99		
 <u>U</u>			
Upholstery	5		

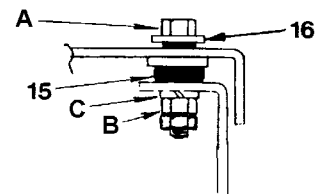
CAB FRAME, SEALS, GROMMETS & MOUNTS



Top View



Side View

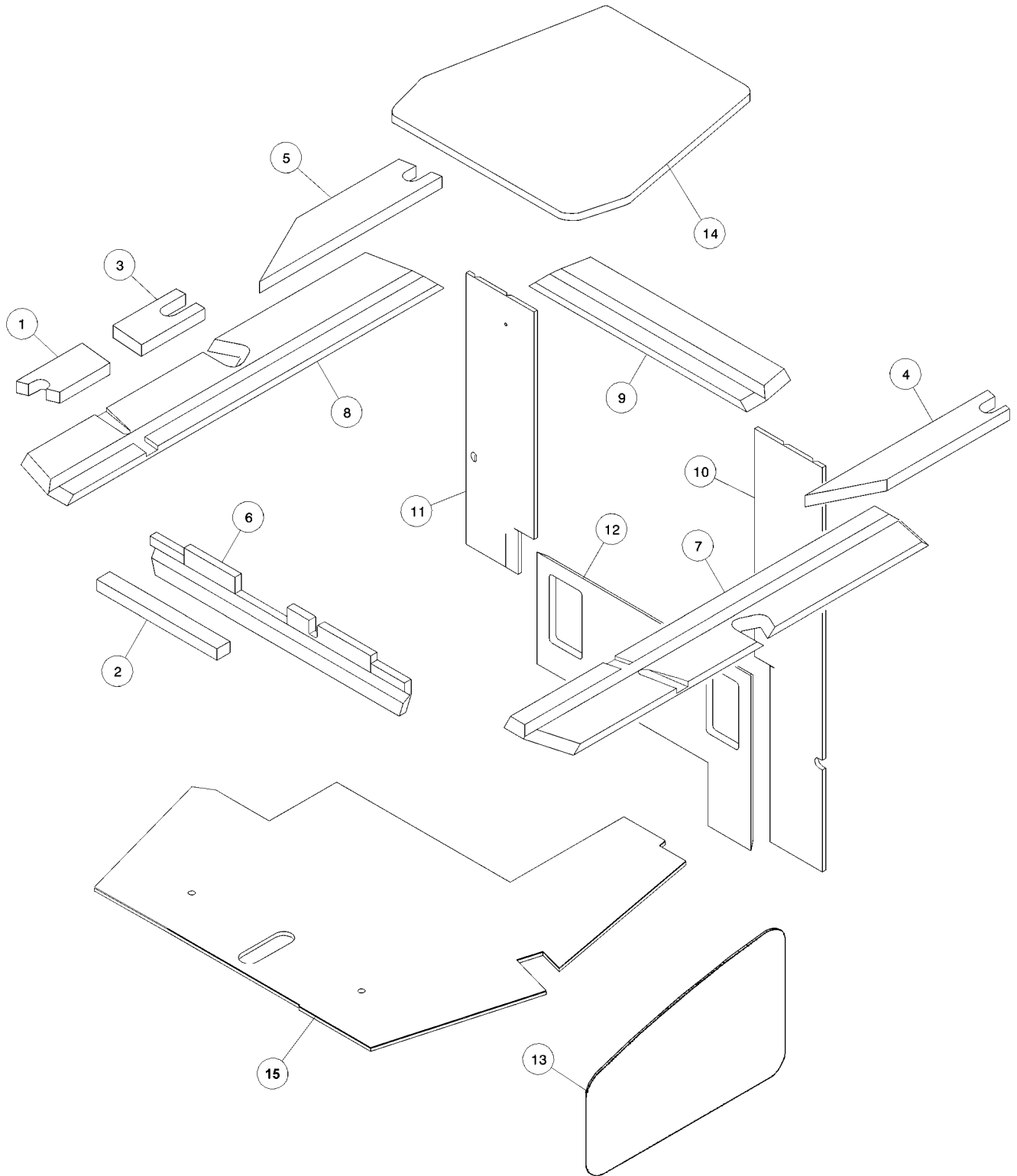


Cab Mounts

CAB FRAME, SEALS, GROMMETS & MOUNTS

REF	PART NUMBER	DESCRIPTION	QTY	SERIAL NUMBER
1	45760	CAB FRAME - with decals.....	1	
2	45755	INSULATOR – cab	1	
3	42405	SEAL - foam, top front	1	
4	42406	SEAL - foam, top side.....	2	
5	42407	SEAL - foam, top rear	1	
6	45944	SEAL - foam, window	1	
7	42270	SEAL - foam	1	
8	45799	SEAL - foam, blower ports.....	1	
9	42266	SEAL - foam	2	
10	42042	SEAL - moulded, window	1	
11	37687	MOULDING - protective	2	
12	42072	MOULDING - protective, right side	1	
13	25298	CONDUIT - slit.....	1	
14	42046	GROMMET	6	
15	42099	INSULATOR - cab mount	4	
16	42592	WASHER – flat, 1/2 inch ID.....	4	
A	21560	BOLT - hex head, 1/2 NC x 3 inch (except front right)		
	21760	BOLT - hex head, 1/2 NC x 2-1/2 inch (front right only)		
B	18591	NUT - hex, 1/2 NC - double nutted (except front right)		
	21383	NUT - serrated flange, 1/2 NC - single nut (front right only)		
C	18638	WASHER - lock, 1/2 inch ID (except front right)		

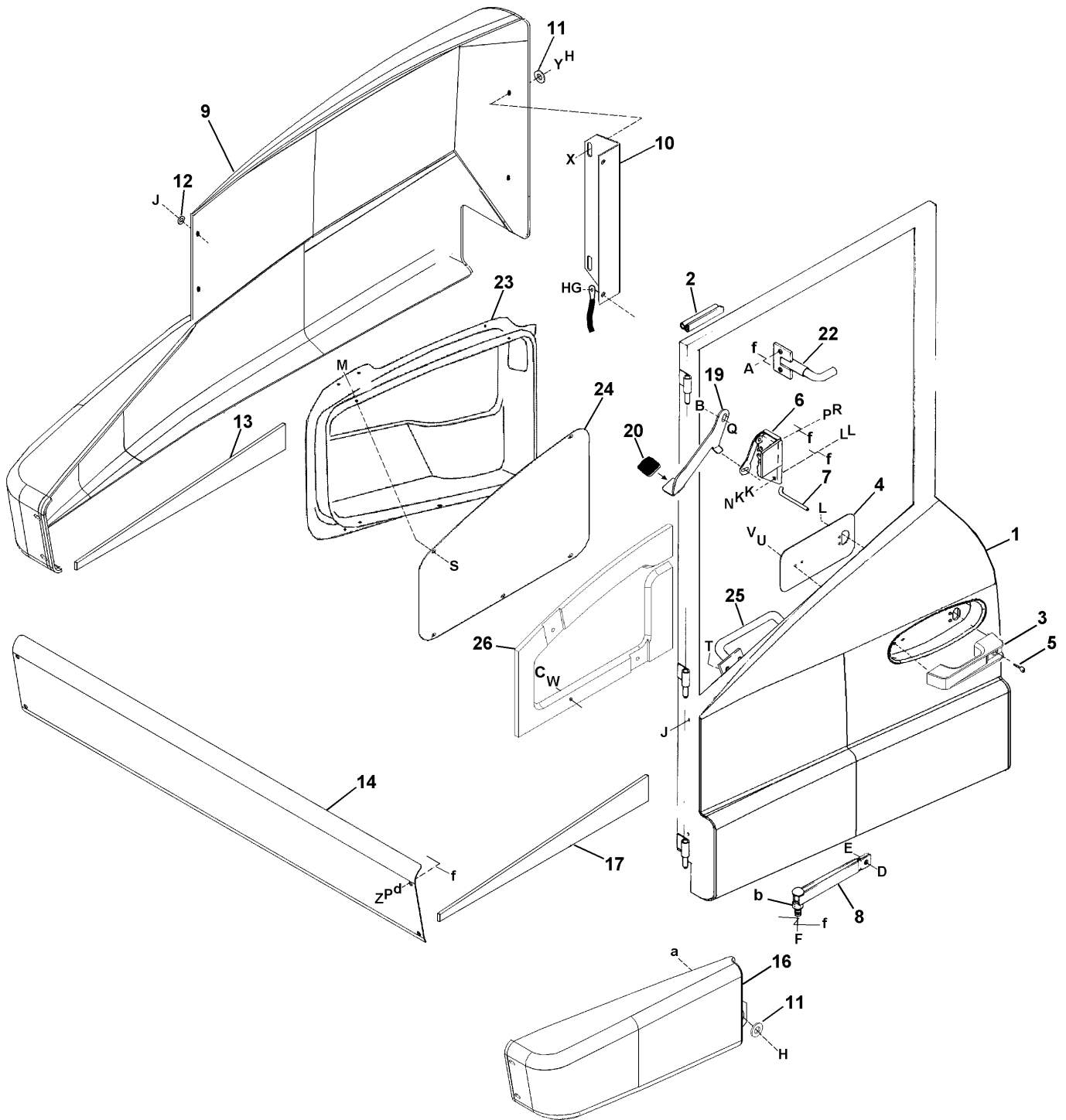
CAB UPHOLSTERY & INSULATORS



CAB UPHOLSTERY & INSULATORS

REF	PART NUMBER	DESCRIPTION	QTY	SERIAL NUMBER
1	45745	INSULATOR – upper side, L/H & R/H, front.....	2	
2	42416	INSULATOR - upper front, L/H & R/H	2	
3	45746	INSULATOR - upper side, L/H & R/H, rear	2	
4	42056	INSULATOR - upper left, rear	1	
5	42057	INSULATOR - upper right, rear	1	
6	45749	UPHOLSTERY - above front window	1	
7	45747	UPHOLSTERY - above L/H side window	1	
8	45748	UPHOLSTERY - above R/H side window	1	
9	45802	UPHOLSTERY - above rear window	1	
10	45804	UPHOLSTERY - left post	1	
11	45805	UPHOLSTERY - right post	1	
12	45803	UPHOLSTERY - below rear window	1	
13	45681	UPHOLSTERY - door	1	
14	REF	UPHOLSTERY - cab roof, see page 9	1	
15	45807	FLOOR MAT.....	1	

CAB DOOR & CAB RIGHT SIDE PANEL

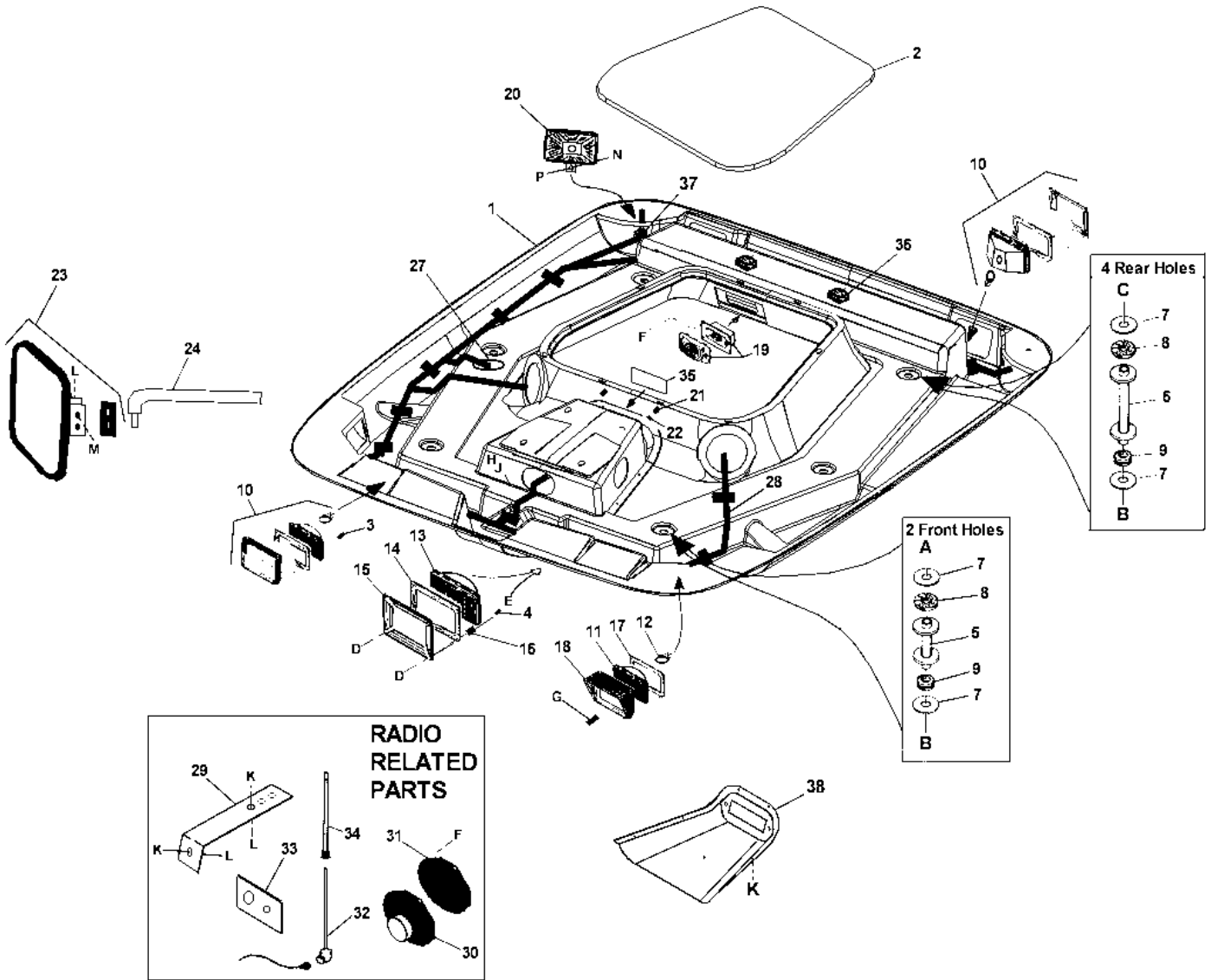


CAB DOOR & CAB RIGHT SIDE PANEL

REF	PART NUMBER	DESCRIPTION	QTY	SERIAL NUMBER	
1	109211	DOOR – with decals (does not include striping or model name/number decals).....	1		
2	42041	SEAL - door, moulded	1		
3	109016	HANDLE - outer, with keys	1		
4	109035	PANEL – handle backup	1		
5	42643	KEY - door	1		
6	109015	LATCH - door.....	1		
7	109033	ROD – door opener	1		
8	42579	STOP - door.....	1		
9	109018	PANEL - right cab side	1		
10	109045	ANGLE – R/H panel mount	1		
11	112220	WASHER – steel/rubber – 3/8 inch ID.....	3		
12	112221	WASHER – steel/rubber – 1/4 inch ID.....	2		
13	109076	SEAL – R/H cab front	1		
14	109042	PANEL – front cab trim.....	1		
16	109007	PANEL – L/H cab trim	1		
17	109077	SEAL – L/H cab front.....	1		
19	109059	HANDLE – inside, door opening.....	1		
20	109098	GRIP – inside handle.....	1		
22	45696	PIN - door latch.....	1		
23	109023	PANEL – door storage.....	1		
24	45682	PANEL – door storage back.....	1		
25	45664	HANDLE – inside, door closing	1		
26	45689	INSULATOR – door.....	1		
A	30693	BOLT - flange head, 3/8 NC x 1/2"	P	18635	WASHER - lock, 1/4 inch ID
B	21558	BOLT - hex head, 5/16 NC x 3/4"	Q	18690	NUT – lock, 5/16 NC
C	42292	SCREW – self tapping	R	21573	BOLT - hex head, 1/4 NC x 1 inch
D	30228	NUT - lock, smooth flange, 3/8 NC distorted thread	S	18724	NUT – lock, 1/4 NC
E	21561	BOLT - hex head, 3/8 NC x 1-1/2"	T	21821	BOLT – flange head, 3/8 NC x 3/4"
F	18697	NUT - lock, 1/2 NC distorted thread	U	30631	WASHER – lock, M6
G	18598	WASHER – flat, 13/32" I.D.	V	109118	BOLT – hex head, M6 – 1.0 x 20
H	21452	NUT - serrated flange, 3/8 NC	W	30526	WASHER–flat, 1/4 inch ID
J	30260	SCREW - self-drilling, self-tapping, #12 x 1 inch	X	19966	BOLT – flng head, 3/8 NC x 1-1/4"
K	18589	NUT - hex, 5/16 NC	Y	44543	NUT – retaining, sm 3/8 NC
L	18588	NUT - hex, 1/4-20 UNC	Z	21573	SCREW – 1/4 NC x 1 inch
M	21580	BOLT - hex head, 1/4 NC x 1/2 inch	a	21863	BOLT – rd hd, sq nk, 3/8 NC x 3/4"
N	30942	BOLT - hex head, 1/4 NC x 1-1/4	b	30760	NUT – hex, 1/2 NC
			d	18596	WASHER – flat, 9/32 inch ID

~ f REF Indicates where hardware passes through cab or door frame.

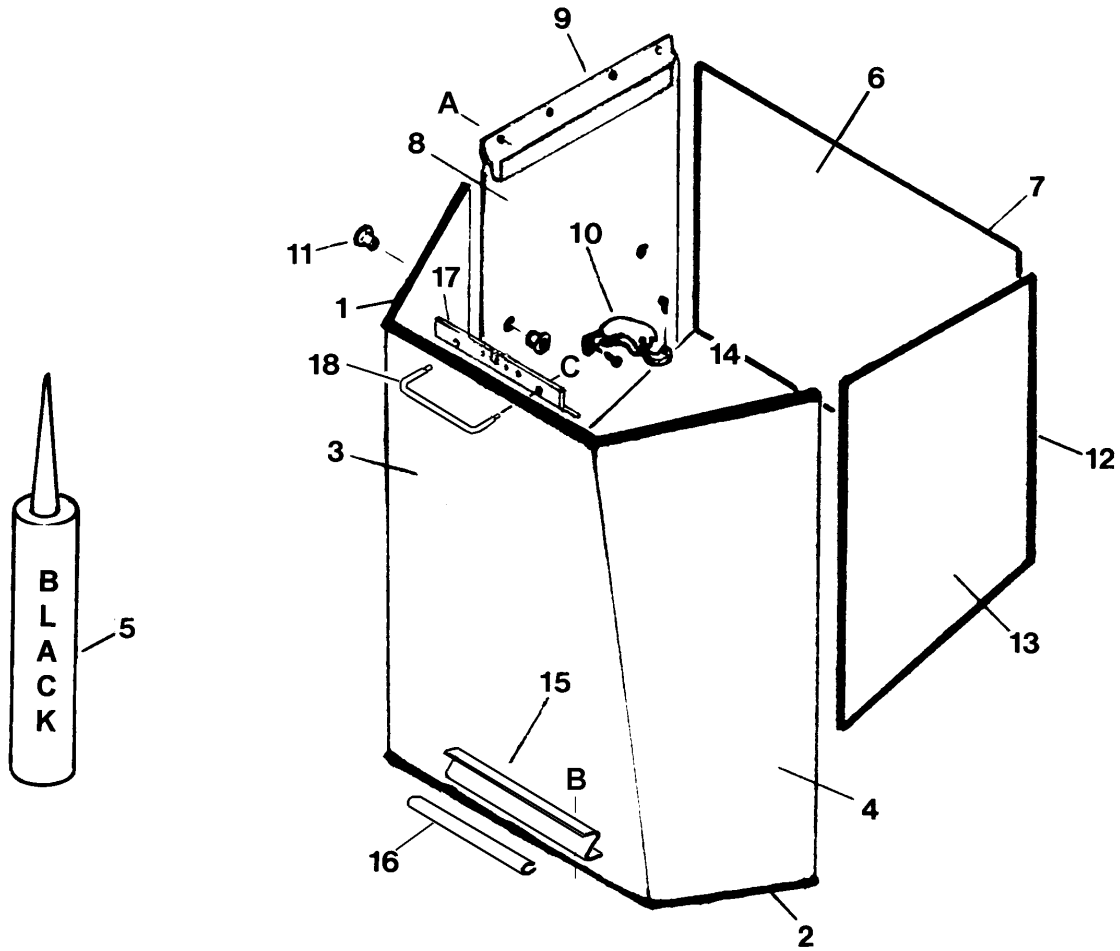
CAB ROOF



CAB ROOF

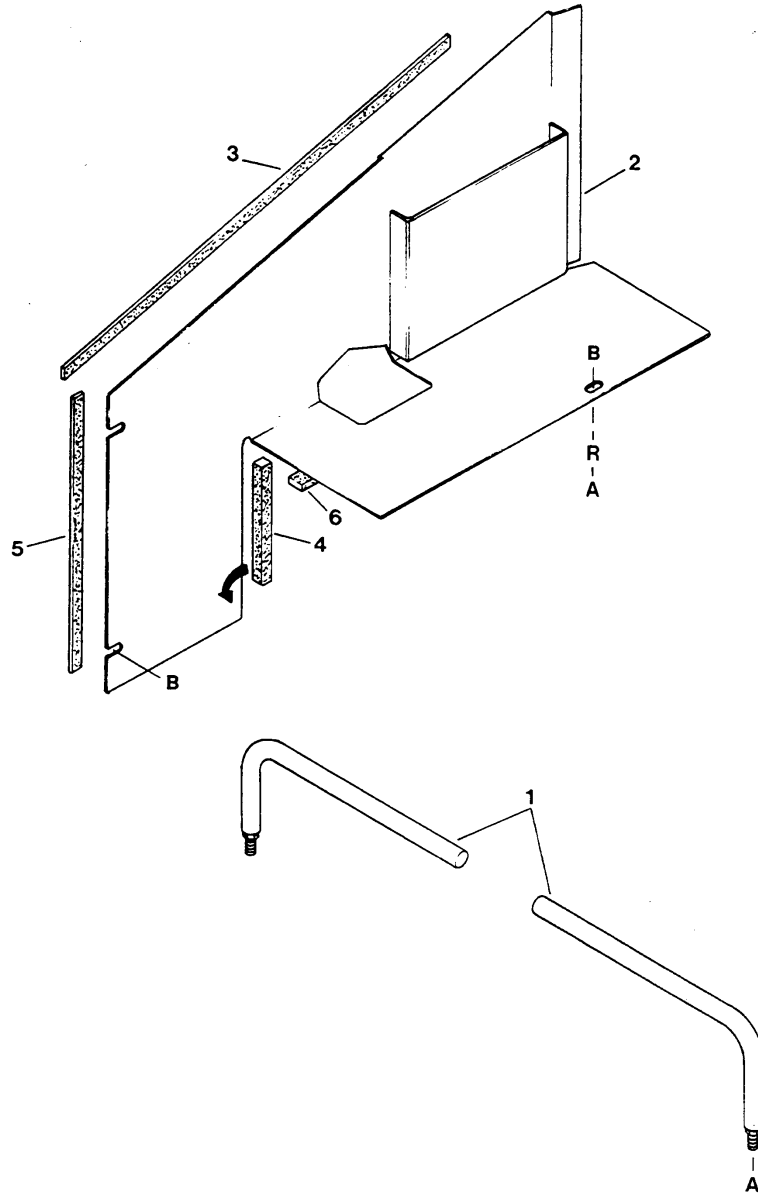
REF	PART NUMBER	DESCRIPTION	QTY	SERIAL NUMBER	
1	45654	ROOF - cab, includes roof, headliner and items 2 - 6 inclusive	1		
2	45759	INSULATOR - roof.....	1		
3	42212	NUT - tee, #10 NC (for wiper motor and amber light mounting).....	6		
4	42213	NUT - spring, #6 NC (for field & head lamps).....	12		
5	45783	SPACER - roof/headliner, front	2		
6	45782	SPACER - roof/headliner, rear	4		
7	42592	WASHER - flat.....	12		
8	42045	PAD	6		
9	REF	GROMMET - See "Cab Frame"	6		
10	109103	LIGHT - amber, replacement bulb #1156	4		
11	109112	OPTICAL UNIT - 3 x 5 inch	4		
12	109113	BULB - 12V, 55W	4		
13	109105	LIGHT - headlight.....	2	-144176	
	109104	SOCKET - light bulb, for headlight 109105.....	2	-144176	
	109109	BULB - lamp, (SP 11), for headlight 109105	2	-144176	
	109223	LIGHT - headlight.....	2	144177-	
	109224	BULB - lamp, designation: 9005, for headlight 109223	2	144177-	
14	109048	GASKET - headlight, for item 12	2		
15	109106	SUPPORT - headlight.....	2		
16	109107	SPRING - compression, headlight.....	6		
17	109110	GASKET - lamp, for item 11	4		
18	109114	BEZEL - lamp	4		
19	109123	LIGHT - interior	1		
20	109111	LIGHT - pedestal work.....	2		
	109112	OPTICAL UNIT - for item 20.....	2		
	109113	BULB - 12V, 55W, for item 20	2		
	109114	BEZEL - for item 20	2		
21	50023	LIGHT - turn indicator	2		
22	50024	NUT - spring	2		
23	45835	MIRROR	2		
24	45669	MOUNT - mirror	2		
27	25286	CONDUIT - slit hose.....	1		
28	109226	HARNESS - electrical, roof (was 45828), incl. 109228 plus 109227 (2)	1	-144176	
	109228	HARNESS - electrical, roof.....	1	144177-	
	109227	HARNESS - headlight adapter, Packard to female blade.....	2	-144176	
29	109115	SUPPORT - rear, radio.....	1		
30	109093	SPEAKER - radio	2		
31	109096	GRILLE - speaker.....	2		
32	109092	ANTENNA - radio, includes cable.....	1		
33	109099	BAR - antenna backing.....	1		
34	109097	GRIP - cover, antenna	1		
35	45399	DECAL - covering, radio cut-out.....	1		
36	42543	SEAL - foam	2		
37	42415	GROMMET - harness	2		
38	45657	PANEL - radio support.....	1		
A	30947	BOLT - hex head, 1/2 NC x 7-1/2"	H	30228	NUT - lock, smooth flange, 3/8 NC d.t.
B	18697	NUT - lock, 1/2 NC distorted thread	J	18598	WASHER - flat, 13/32" ID
C	109091	BOLT - hex head, 1/2 NC x 9 inch	K	42284	SCREW - machine, #10 x 1/2 inch
D	109108	BOLT - hex head, M5 - 0.80 x 50	L	18647	NUT - #10 NC
E	109126	NUT - lock, #10 - 32 NC	M	21449	BOLT - flange, lock
F	30492	SCREW - self tap, #8 x 3/4 inch	N	50101	NUT - flange, lock, M10 x 1.5
G	30949	SCREW - machine, #6 NC x 1 inch	P	30635	WASHER - flat, M10

WINDOWS



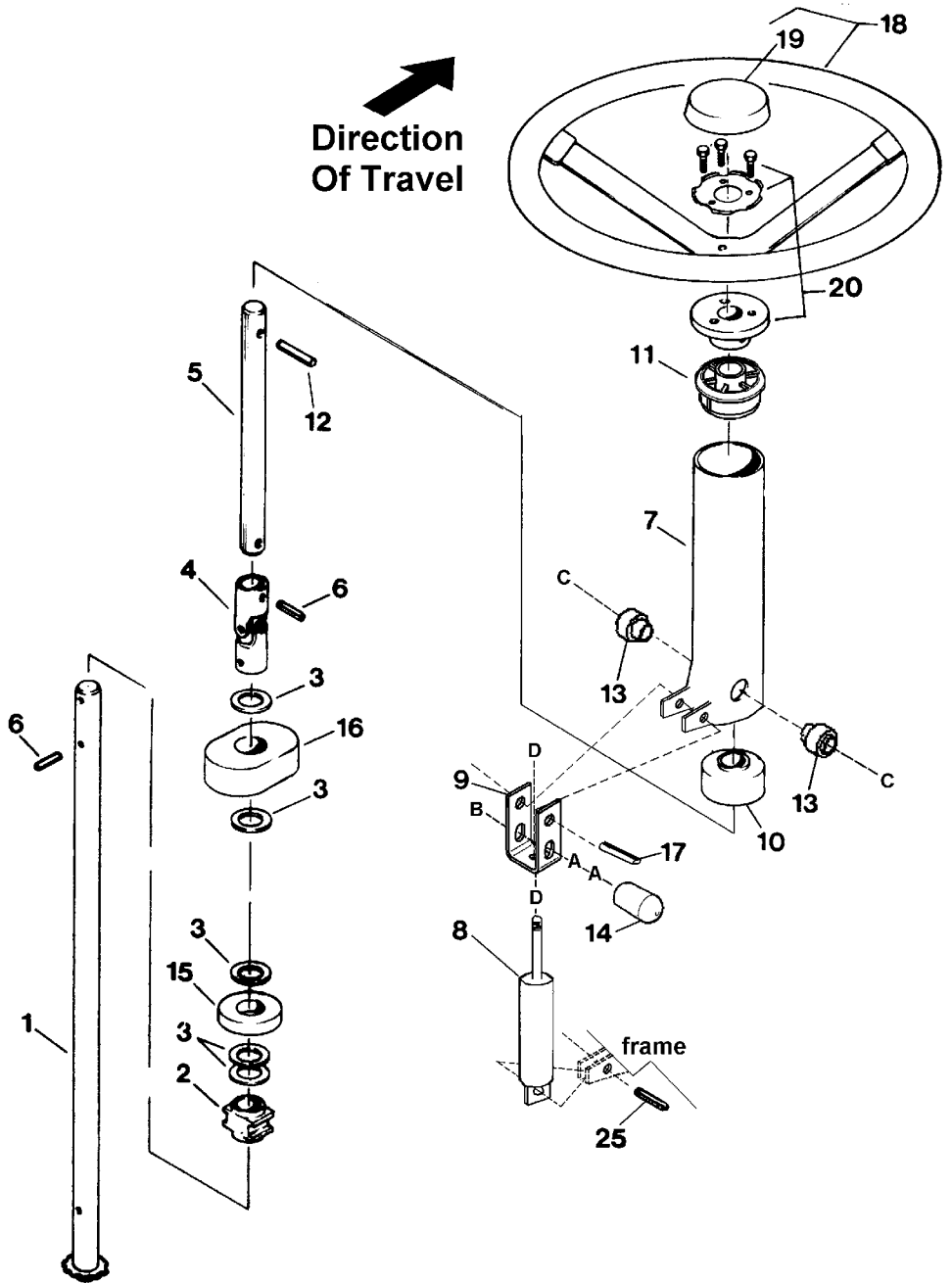
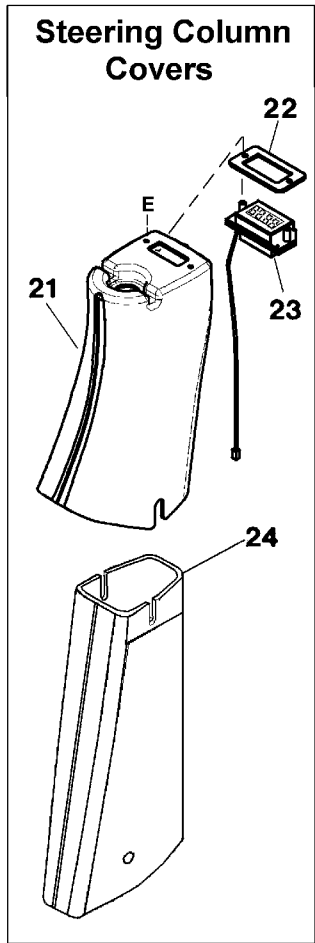
REF	PART NUMBER	DESCRIPTION	QTY	SERIAL NUMBER
1	42048	SEAL - top, front windows	1	
2	42049	SEAL - bottom, front windows	1	
3	42093	WINDOW - front	1	
4	42094	WINDOW - side	2	
5	REF	SEALANT - black, use neutral cure silicone (Silicone II or Silglaze).....	AR	
6	42095	WINDOW - rear	1	
7	42053	SEAL - rear window	1	
8	45757	WINDOW - right, assembly (includes item 9)	1	
9	42421	SUPPORT - window	1	
10	42616	LATCH - rear	1	
	42617	LATCH - front.....	1	
11	42615	FASTENER GROUP - latch (includes screw, bushing and nut).....	2	
12	45720	SEAL - door window	1	
13	45730	WINDOW - door	1	
14	42135	RIVET - latch	2	
15	45658	RETAINER - window retaining, lower	1	
16	45659	INSULATOR - window, lower front	1	
17	45725	ANGLE - window, upper	1	
18	45727	HANDLE - wiper	1	
A	21968	BOLT - flange head, 1/4 NC x 1/2 inch		
B	30260	SCREW - self drilling, self tapping, #12 x 1 inch		
C	21056	NUT - jam, 1/2 NC		

FOOTREST & SIDE CONSOLE PANEL



REF	PART NUMBER	DESCRIPTION	QTY	SERIAL NUMBER
1	42536	ROD - footrest.....	2	
2	42644	PANEL - side console, includes items 3, 4, 5 and 6.....	1	
3	42264	SEAL - top	1	
4	42266	SEAL - vertical	1	
5	42272	SEAL - front vertical.....	1	
6	42273	SEAL - A/C compartment	1	
A	21452	NUT - serrated flange, 3/8 NC		
B	30228	NUT - lock, smooth flange, 3/8 NC distorted thread		
R	REF	Hardware passes through seat support panel.		

STEERING COLUMN



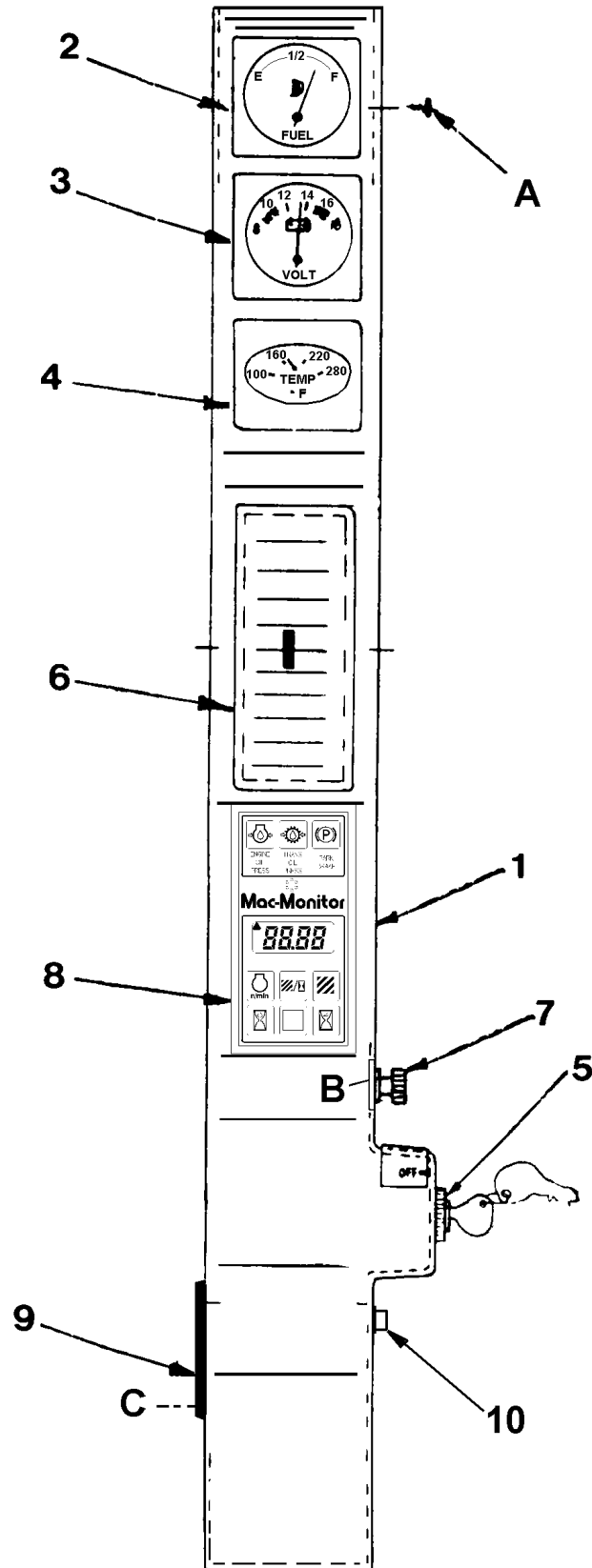
STEERING COLUMN

REF	PART NUMBER	DESCRIPTION	QTY	SERIAL NUMBER
1	42458	SHAFT - steering, with sprocket.....	1	
2	25336	BUSHING - shaft	1	
3	18601	WASHER - flat, 13/16 inch I.D.....	5	
4	42064	U-JOINT.....	1	
5	25326	SHAFT - steering, upper.....	1	
6	30943	PIN - spring, 1/4 x 1 inch	4	
7	45674	TUBE - steering	1	
8	109073	SPRING – gas, adjuster	1	
9	45744	YOKE – for item 8.....	1	
10	19488	BUSHING - lower	1	
11	45661	BUSHING - upper.....	1	
12	16266	PIN - spring, 1/4 x 1-1/4 inch	1	
13	45662	SPACER - column	2	
14	109204	KNOB	1	
15	42467	GUIDE - rubber.....	1	
16	42460	INSULATOR - steering post, foam	1	
17	30061	PIN – spring, 3/8 x 2 inch (was 21095).....	1	
18	42771	WHEEL - steering, with cap (item 19)	1	
19	42773	CAP - steering wheel.....	1	
20	42772	INSTALLATION KIT - includes hub, snap plate & bolts	1	
21	109133	COVER – upper steering column	1	
22	45680	GASKET	1	
23	109229	SPEEDOMETER	1	-144176
	109210	SPEEDOMETER	1	144177-
24	109041	COVER – lower steering column.....	1	
25	50075	PIN – spring, 3/8 x 1 inch	1	

NOTE: For Related Parts, see "Steering & Ground Speed", page 81.

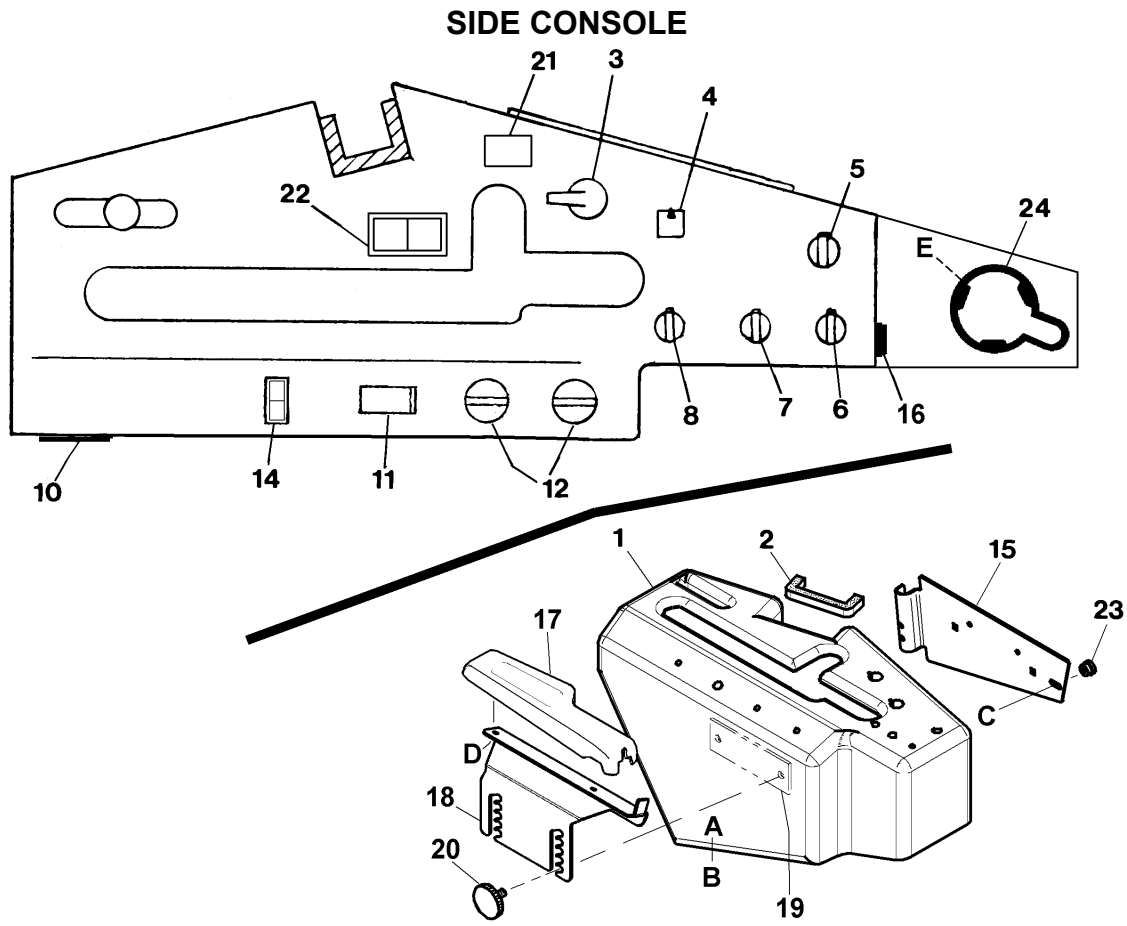
A	18590	NUT – hex, 3/8 NC
B	21102	BOLT – hex head, 3/8 NC x 2-1/2 inch
C	109071	BOLT – round head, 3/8 NC x 1-1/4 inch
D	109072	NUT – hex head, jam nut, M10 – 1
E	109075	SCREW – Phillips pan head, #6 x 1/2 inch

INSTRUMENT PANEL



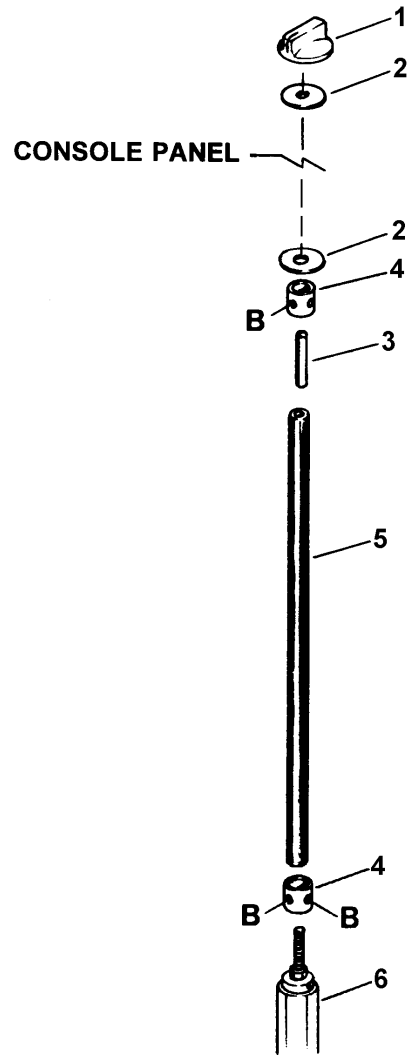
INSTRUMENT PANEL

REF	PART NUMBER	DESCRIPTION	QTY	SERIAL NUMBER
1	109202	PANEL - instrument, with decal (was 109040)	1	
2	42240	GAUGE - fuel.....	1	
3	42239	GAUGE - voltmeter.....	1	
4	42241	GAUGE - temperature, engine coolant, all except XX52i tractors.....	1	
	109272	GAUGE - temperature, engine coolant, XX52i tractors only	1	
5	109119	SWITCH - ignition.....	1	
	109120	KEY - ignition, for switch 109119.....	1	
	109121	KEY - spare for switch 109119	1	
6	42067	VENTILATOR	1	
7	42447	LIGHTER - cigarette	1	
8	109036	MONITOR.....	1	-144176
	109209	MONITOR, all except XX52i & XX52c tractors	1	144177-
	109271	MONITOR, XX52i tractors only	1	
	160101	MONITOR, XX52c tractor only	1	
9	109122	HOLDER - cup	2	-150558
10	109453	SWITCH - push button, cold start, XX52i & XX52c tractors only	1	162250-
A	42292	SCREW - hex washer head, #10 x 1/2 inch self tapping		
B	18602	WASHER - flat, 7/8 inch ID		
C	21947	SCREW - hex washer head, #10 x 5/8 inch self tapping		



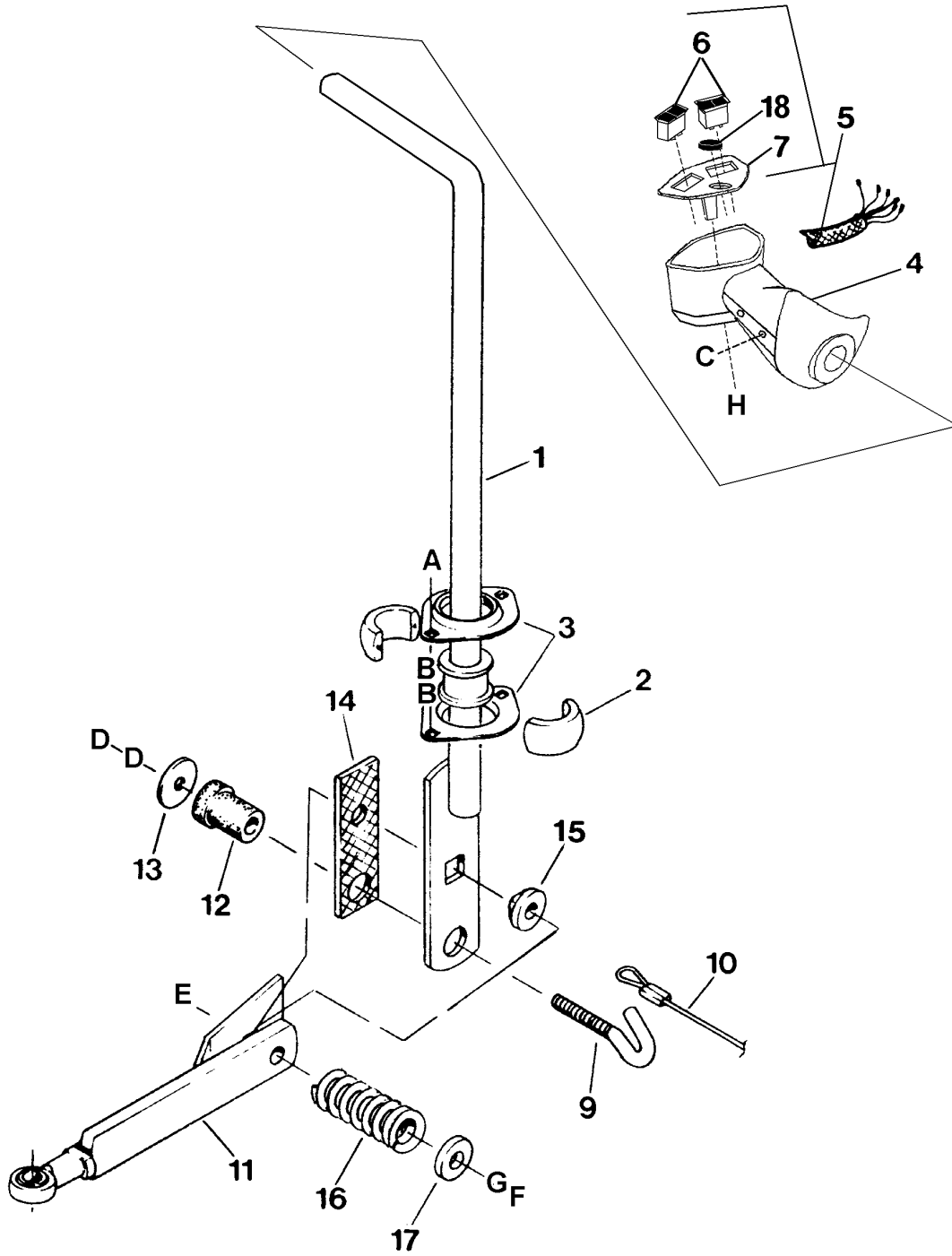
REF	PART NUMBER	DESCRIPTION	QTY	SERIAL NUMBER
1	45711	PANEL - console, with decal - includes items 2 & 15 and hardware	1	
2	42266	SEAL - right post	1	
3	30312	FLASHER CONTROL - with knob	1	
4	21903	SWITCH - light, with knob	1	
5	30335	SWITCH - wiper	1	
6	42727	KNOB - control	4	
7	109078	SWITCH - blower	1	
8	42518	THERMOSTAT ASSEMBLY	1	
10	109079	ASHTRAY	1	
11	42840	SWITCH - toggle, header drive	1	
	42841	GUARD - for toggle switch 42840	1	
12	REF	SWITCH - reel & conveyor speed control, see page 17	2	
14	109063	SWITCH - deck shift, 960 & 972 Hydraulic Deck Shift Headers	1	
15	45685	PANEL - access	1	
16	109080	TERMINAL - power outlet, 12 volt	2	
	109081	CAP - power outlet	2	
17	109101	ARMREST	1	
18	45742	SUPPORT - armrest	1	
19	45741	BAR - with weld nuts, for item 18	1	
20	45709	KNOB - armrest support	2	
21	45893	SWITCH - 2 speed, c/w decal (turbo only)	1	
22	109064	SWITCH - header express down, see page 135	OPT	
23	21931	KNOB - access panel	1	
24	109280	HOLDER - cup	1	150559-
A	30696	SCREW - button head, rib neck #12 NC x 5/8 inch		
B	30669	NUT - lock, #12 NC distorted thread		
C	21572	BOLT - hex head, 1/4 NC x 5/8 inch		
D	111008	SCREW - M6 x 15 mm		
E	21947	SCREW - hex washer head, #10 x 5/8 inch, self tapping		

REEL & CONVEYOR SPEED CONTROL



REF	PART NUMBER	DESCRIPTION	QTY	SERIAL NUMBER
1	42441	KNOB - control	2	
2	42748	WASHER - non metal	4	
3	2146	PIN - roll, 1/4 x 1-3/4 inch	2	
4	42749	SPACER	4	
5	42747	HOSE	2	
6	REF	CONTROL BLOCK - header drive, see "Header Drive Hydraulics"	1	
B	21572	BOLT-hex head, 1/4 NC x 5/8 inch		

GROUND SPEED LEVER

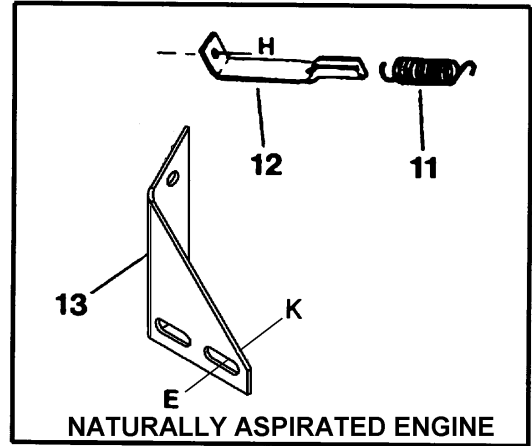
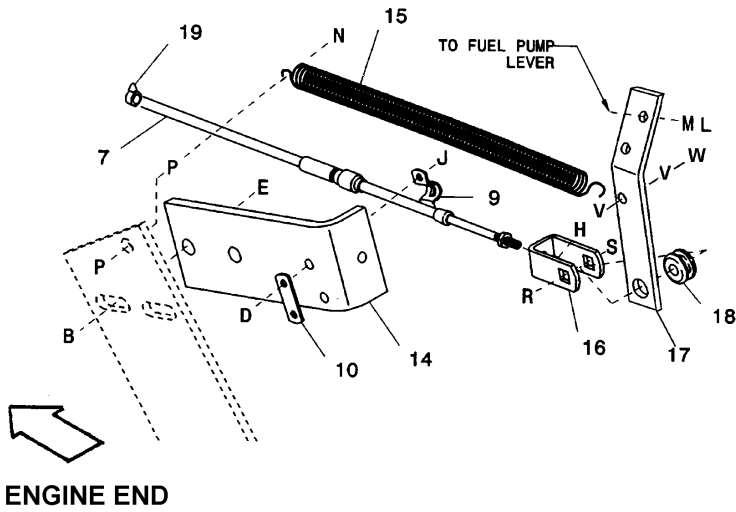


GROUND SPEED LEVER

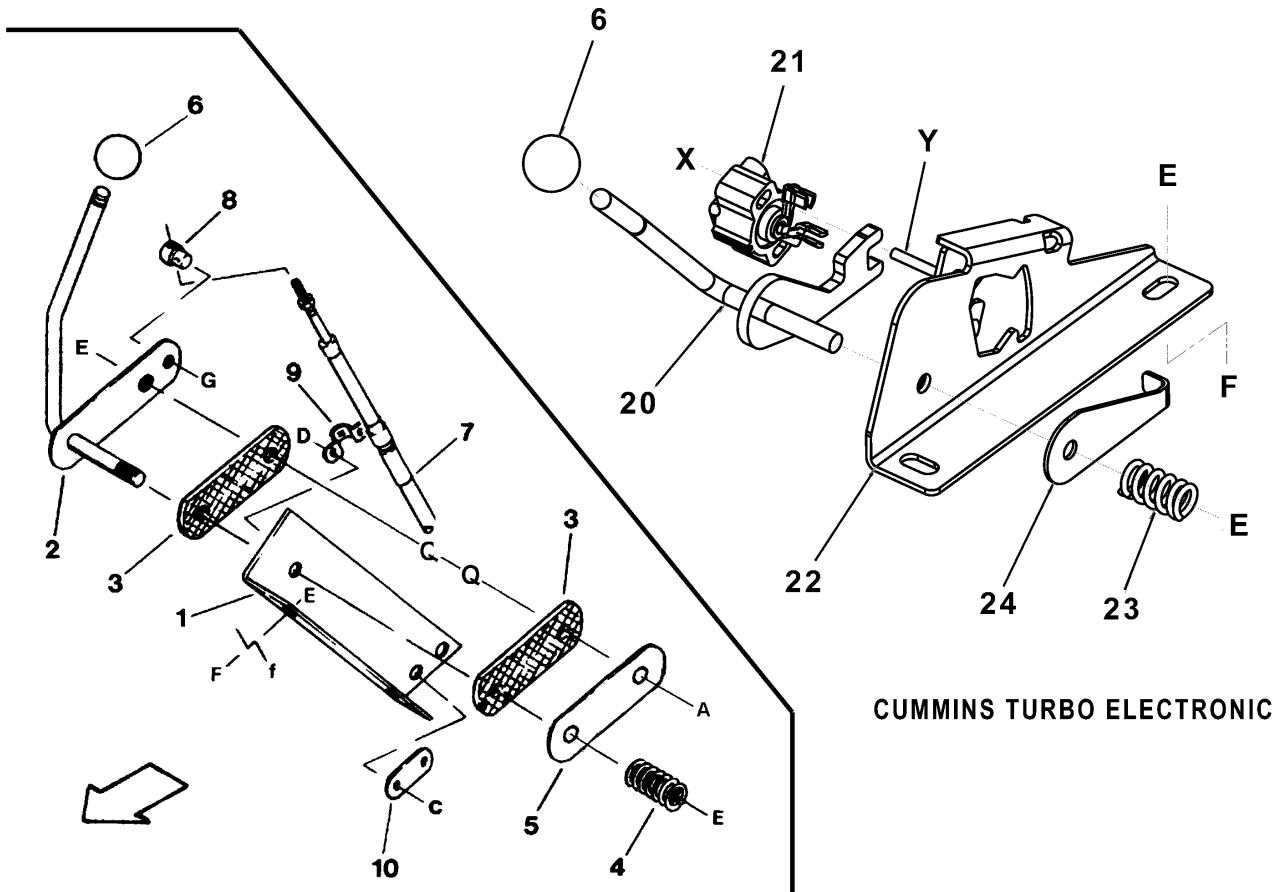
REF	PART NUMBER	DESCRIPTION	QTY	SERIAL NUMBER
1	45814	LEVER - ground speed.....	1	
2	28038	BUSHING - plastic (part consists of two halves)	1	
3	15103	FLANGE - bushing mounting.....	2	
4	109051	HANDLE - ground speed.....	1	
5	45865	HARNESS - ground speed lever, includes items 6 (qty.2), 7, 18 & decals ..	1	
6	109060	SWITCH – rocker, reel lift, and header lift	2	
7	109049	PLATE – face, handle.....	1	
9	42476	BOLT - hook	1	
10	REF	CABLE - neutral interlock, see "Neutral Interlock & Pintle Arms".....	1	
11	REF	ROD - steering, see "Steering & Ground Speed"	1	
12	42482	INSULATOR - rubber	1	
13	16652	WASHER - flat.....	1	
14	45565	PAD - friction	1	
15	25348	BUSHING - plastic.....	1	
16	11660	SPRING - compression	1	
17	4761	WASHER - flat.....	1	
18	45869	PLUG – nylon, 0.687 diameter hole.....	1	
	109061	SWITCH – 4 way, header angle/fore aft, see page 133 & 135.....	OPT	
A	30280	NUT - lock, smooth flange, 5/16 NC distorted thread		
B	18597	WASHER – flat, 11/32 inch ID		
C	30872	SCREW – set, 5/16 NC x 1/4 inch		
D	18590	NUT - hex, 3/8 NC		
E	50052	BOLT - round head, square neck, 1/2 NC x 5 inch		
F	18697	NUT - lock, 1/2 NC distorted thread		
G	18591	NUT - hex, 1/2 NC		
H	45868	SCREW – self tapping, #8 NC x 1-1/2 inch		
~ f	REF	Indicates where hardware passes through frame member.		

THROTTLE CONTROL – CUMMINS ENGINE TRACTORS

Models XX52c have cab end throttle components only. Engine end is electronic, with harness.



CAB END



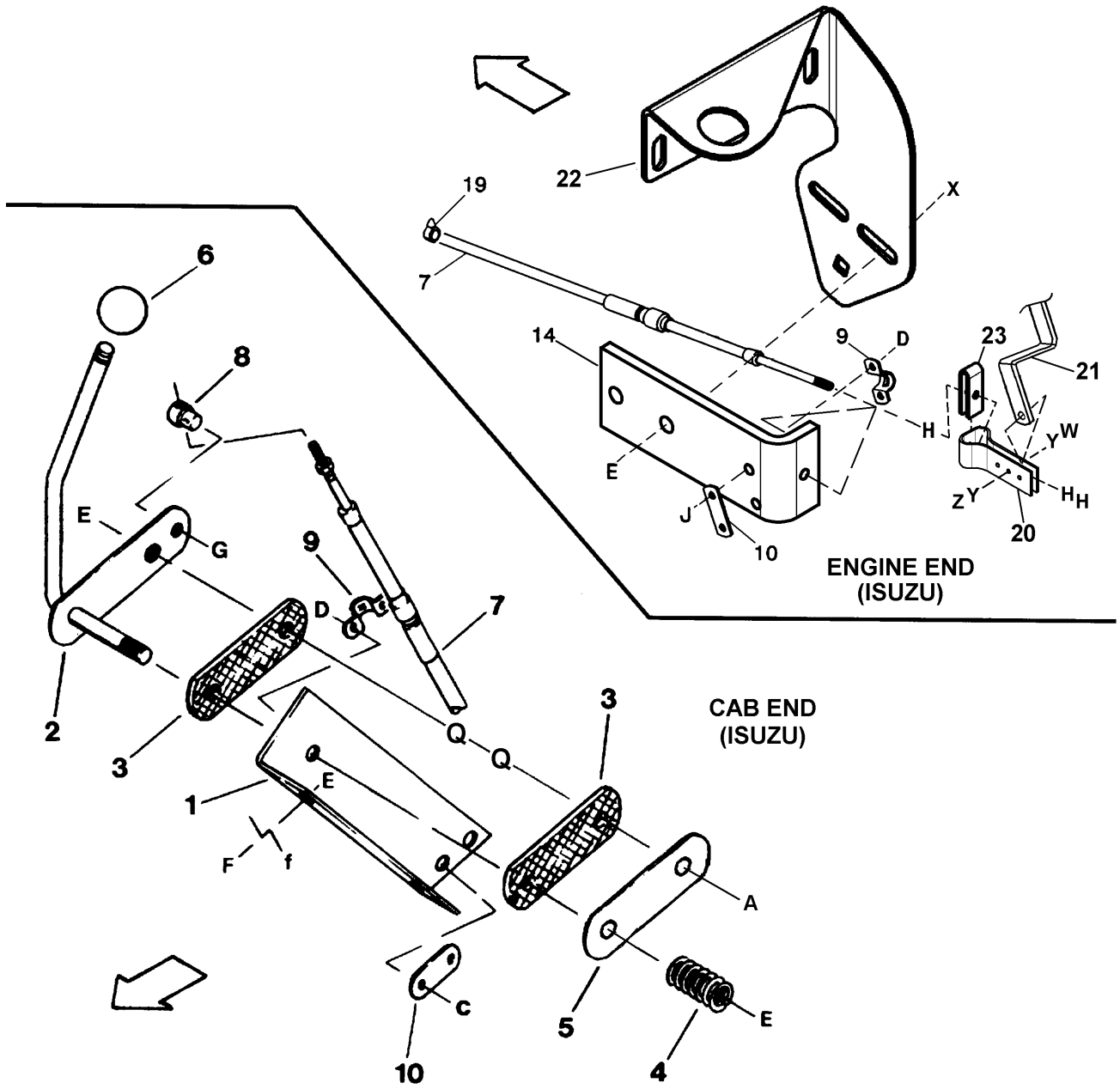
CUMMINS TURBO ELECTRONIC

THROTTLE CONTROL – CUMMINS ENGINE TRACTORS

REF	PART NUMBER	DESCRIPTION	QTY	SERIAL NUMBER
1	45307	SUPPORT - throttle, in-cab	1	
2	45309	LEVER - throttle.....	1	
3	45314	PAD - friction	2	
4	17546	SPRING - compression	1	
5	45833	PLATE – throttle arm	1	
6	30457	KNOB - orange	1	
7	42745	CABLE - throttle.....	1	
8	42218	PIVOT - cable	1	
9	42219	HOLDER - cable.....	2	
10	42220	BAR - spacer	2	
11	44337	SPRING - extension, to fuel pump lever (N.A. engine)	1	
12	44490	SUPPORT - cable to spring (N.A. engine)	1	-162249
	111692	SUPPORT – cable to spring (N.A engine).....	1	162250-
13	111152	SUPPORT - throttle cable, engine end (N.A. Engine)	1	
14	44494	INSULATOR - rubber, throttle cable	1	
15	42102	SPRING – extension	1	
16	111009	CLEVIS - throttle cable	1	
17	111007	LEVER - throttle.....	1	
18	24986	GROMMET - rubber	1	
19	42523	CLIP – cable holder	1	
20	109900	LEVER - throttle	1	
21	109904	SENSOR - rotary	1	
22	109898	SUPPORT - throttle.....	1	
23	17546	SPRING - compression	1	
24	109902	BRACKET - throttle spring	1	
A	21264	BOLT - hex head, 3/8 NC x 1-1/4 inch		
B	19965	BOLT - round head, square neck, 3/8 NC x 1 inch		
C	18631	SCREW - machine, #10 NC x 1/2 inch		
D	18647	NUT - hex, #10 NC		
E	30228	NUT - lock, smooth flange, 3/8 NC distorted thread		
F	109071	BOLT – round head, square neck, 3/8 NC x 1-1/4 inch		
G	18604	PIN - cotter, 3/32 x 3/4 inch		
H	20011	NUT - hex, #10 NF		
J	18577	SCREW - machine, #10 NC x 3/4 inch		
K	21821	BOLT - flange head, 3/8 NC x 3/4 inch		
L	111008	BOLT - hex head, M6 x 15 mm		
M	30631	WASHER - lock, M6		
N	21561	BOLT - hex head, 3/8 NC x 1-1/2 inch		
P	18590	NUT - hex, 3/8 NC		
Q	18598	WASHER – flat, 13/32 inch ID		
R	21479	BOLT - round head, square neck, 5/16 NC x 1-1/2 inch		
S	30280	NUT - lock, smooth flange, 5/16 NC distorted thread		
V	18588	NUT – hex, 1/4 NC		
W	21573	BOLT – 1/4 NC x 1 inch		
X	21492	NUT – flange, #10 - 0.190 in, zn pl, gr 5, serrated face		
Y	21487	BOLT – round head, square neck, #10-24 nc x1.5" long		

~ f REF Indicates where hardware passes through frame member.

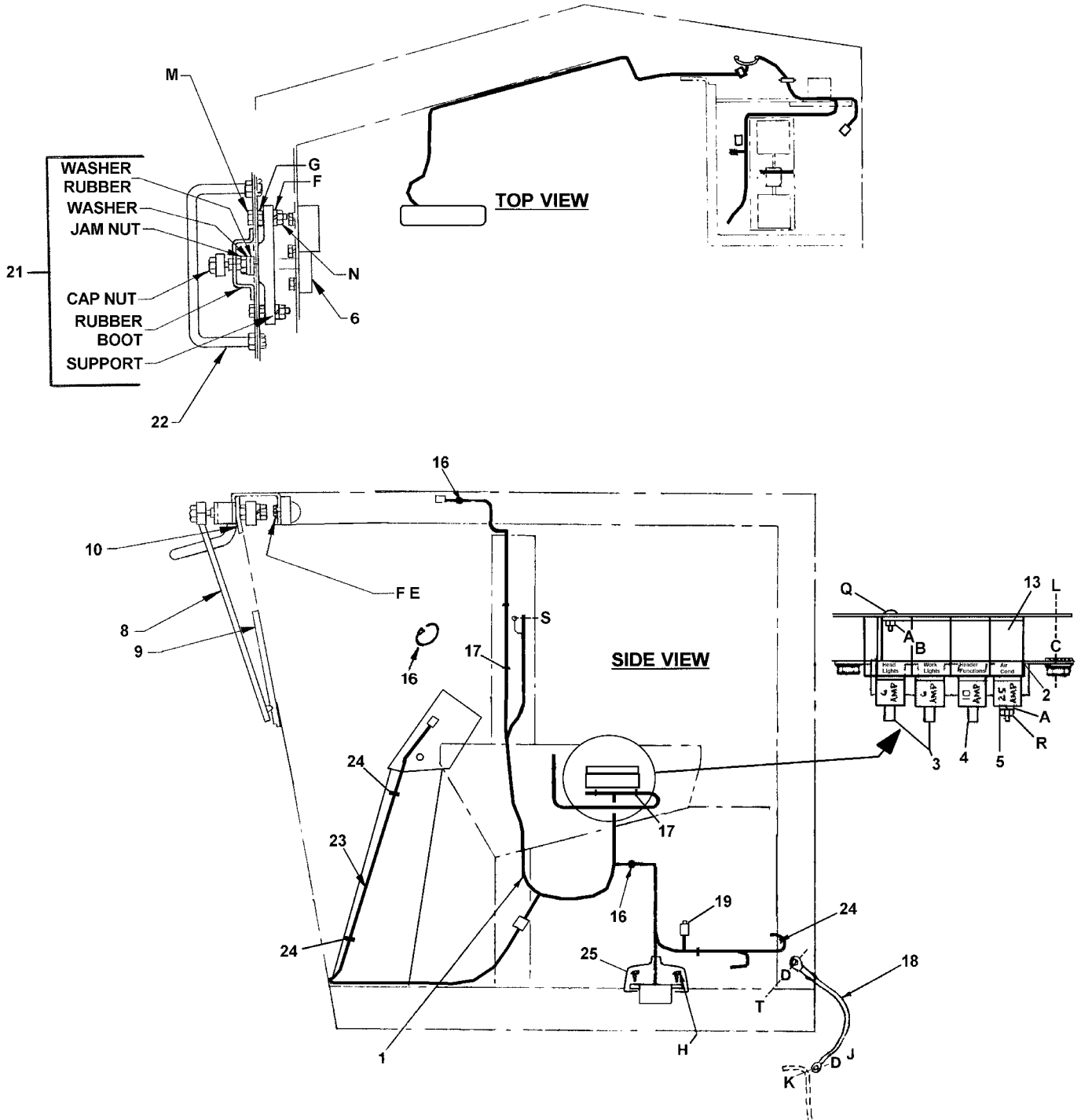
THROTTLE CONTROL – ISUZU ENGINE TRACTORS



THROTTLE CONTROL – ISUZU ENGINE TRACTORS

REF	PART NUMBER	DESCRIPTION	QTY	SERIAL NUMBER
1	45307	SUPPORT - throttle, in-cab	1	
2	45309	LEVER - throttle.....	1	
3	45314	PAD - friction	2	
4	17546	SPRING - compression	1	
5	45833	PLATE – throttle arm	1	
6	30457	KNOB - orange	1	
7	111415	CABLE - throttle.....	1	
8	42218	PIVOT - cable	1	
9	42219	HOLDER - cable.....	2	
10	42220	BAR - spacer	2	
14	44494	INSULATOR - rubber, throttle cable.....	1	
19	42523	CLIP – cable holder	1	
20	111437	INSULATOR – throttle	1	
21	REF	LEVER – fuel pump	1	
22	REF	SUPPORT – throttle, see “Fuel System”	1	
23	111582	YOKE – throttle.....	1	
A	21264	BOLT - hex head, 3/8 NC x 1-1/4 inch		
C	18631	SCREW - machine, #10 NC x 1/2 inch		
D	18647	NUT - hex, #10 NC		
E	30228	NUT - lock, smooth flange, 3/8 NC distorted thread		
F	109071	BOLT – round head, square neck, 3/8 NC x 1-1/4 inch		
G	18604	PIN - cotter, 3/32 x 3/4 inch		
H	20011	NUT - hex, #10 NF		
J	18577	SCREW - machine, #10 NC x 3/4 inch		
K	21821	BOLT - flange head, 3/8 NC x 3/4 inch		
Q	18598	WASHER – flat, 13/32 inch ID		
W	21573	BOLT – 1/4 NC x 1 inch		
X	21821	BOLT – flange head, 3/8 NC x 3/4 inch		
Y	18596	WASHER – flat, 9/32 inch ID		
Z	18724	NUT – lock, 1/2 NC, distorted thread		
~ f	REF	Indicates where hardware passes through frame member.		

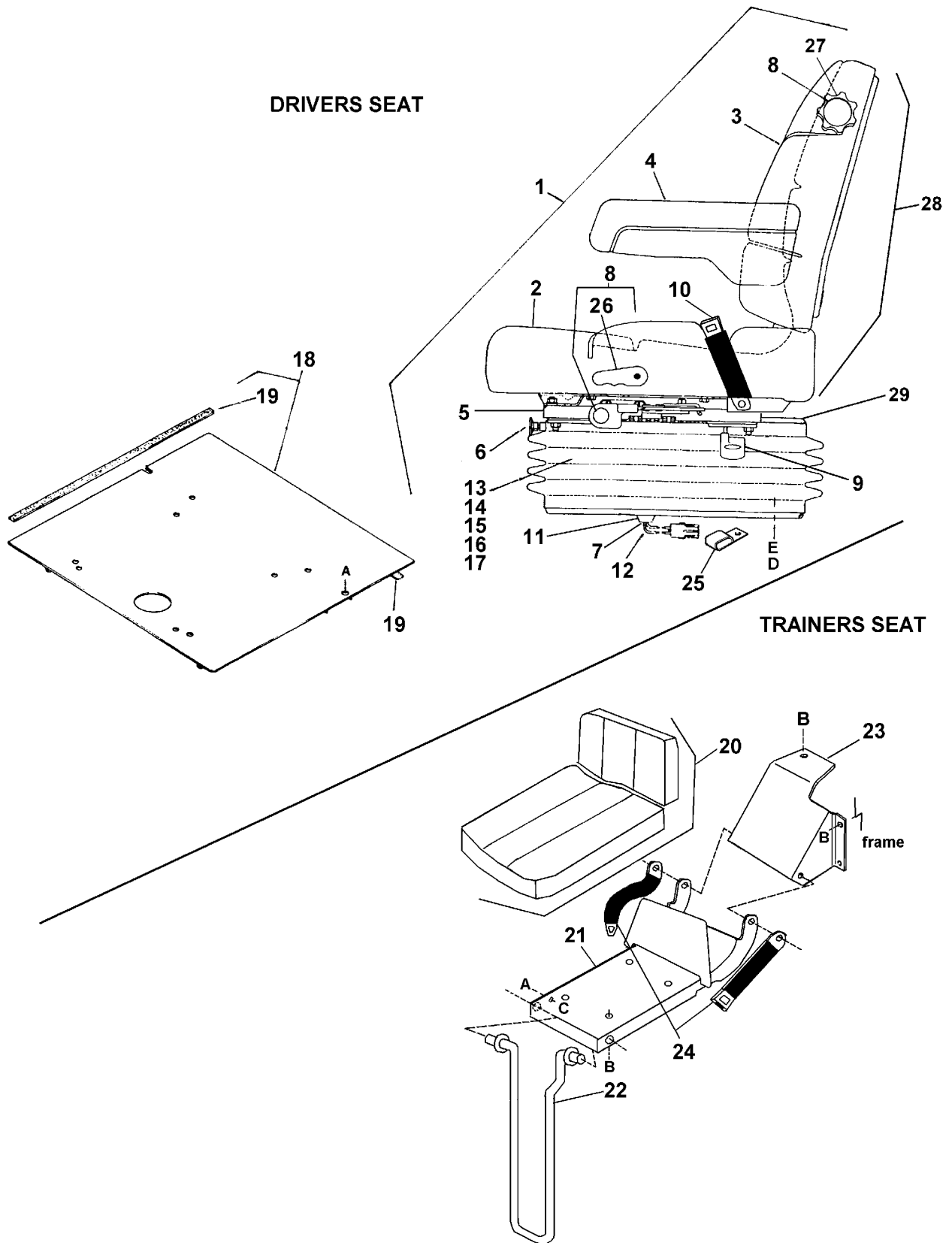
CAB ELECTRICAL & WIPER



CAB ELECTRICAL & WIPER

REF	PART NUMBER	DESCRIPTION	QTY	SERIAL NUMBER
1	45826	HARNES - cab wiring, with plug and boot (item 25)	1	-144176
	163570	HARNES - cab wiring, with plug and boot (item 25) (was 45969/111449/112965).....	1	144177-
2	21908	SUPPORT - circuit breakers.....	1	
3	21910	BREAKER - 6 amp, head lights and work lights.....	2	
4	109083	BREAKER - 10 amp, header functions.....	1	
	109736	BREAKER - 12 amp, header functions, XX52i/XX52c brake and header functions	1	
5	21909	BREAKER - 25 amp, air conditioning	1	
6	109825	MOTOR - wiper (was 109085).....	1	
8	109086	ARM - wiper.....	1	
9	109087	BLADE - wiper	1	
10	45725	PLATE - wiper	1	
13	30215	RELAY - electrical	4	
16	42678	FASTENER - plastic tie, push mount	4	
17	16661	FASTENER - plastic tie	10	
18	24289	CABLE - ground	1	
19	21943	SWITCH - park brake	1	
21	109088	SUPPORT - wiper.....	1	
22	REF	HANDLE - wiper, see "Windows".....	1	
23	45940	HARNES - speedometer	1	
24	30542	CLIP - for harness, item 23.....	6	
25	109212	BOOT - rubber	1	
A	18634	WASHER - lock, #10		
B	18647	NUT - hex, #10-24 NC		
C	21455	NUT - serrated flange, 1/4 NC		
D	18598	WASHER - flat, 13/32 inch ID		
E	109089	SCREW - hex head, 1/4-28 UNF x 3/4 inch		
F	18635	WASHER - lock, 1/4 inch ID		
G	18589	NUT - 5/16 NC		
H	109116	SCREW - hex head, #12 NC x 1-1/2 inch		
J	21821	BOLT - flange head, 3/8 NC x 3/4 inch		
K	30228	NUT - lock, smooth flange, 3/8 NC distorted thread		
L	109084	BOLT - round head, square neck, 1/4 NC x 1-3/4 inch		
M	21573	SCREW - hex head, 1/4 NC x 1 inch		
N	18588	NUT - 1/4 NC		
P	21056	NUT - jam, 1/2 NC		
Q	109090	SCREW - hex head, #10 NC x 3/8 inch		
R	20011	NUT - hex, #10-32 NF		
S	42292	SCREW - self tapping, #10 x 1/2 inch		
T	21452	NUT - serrated flange, 3/8 NC		

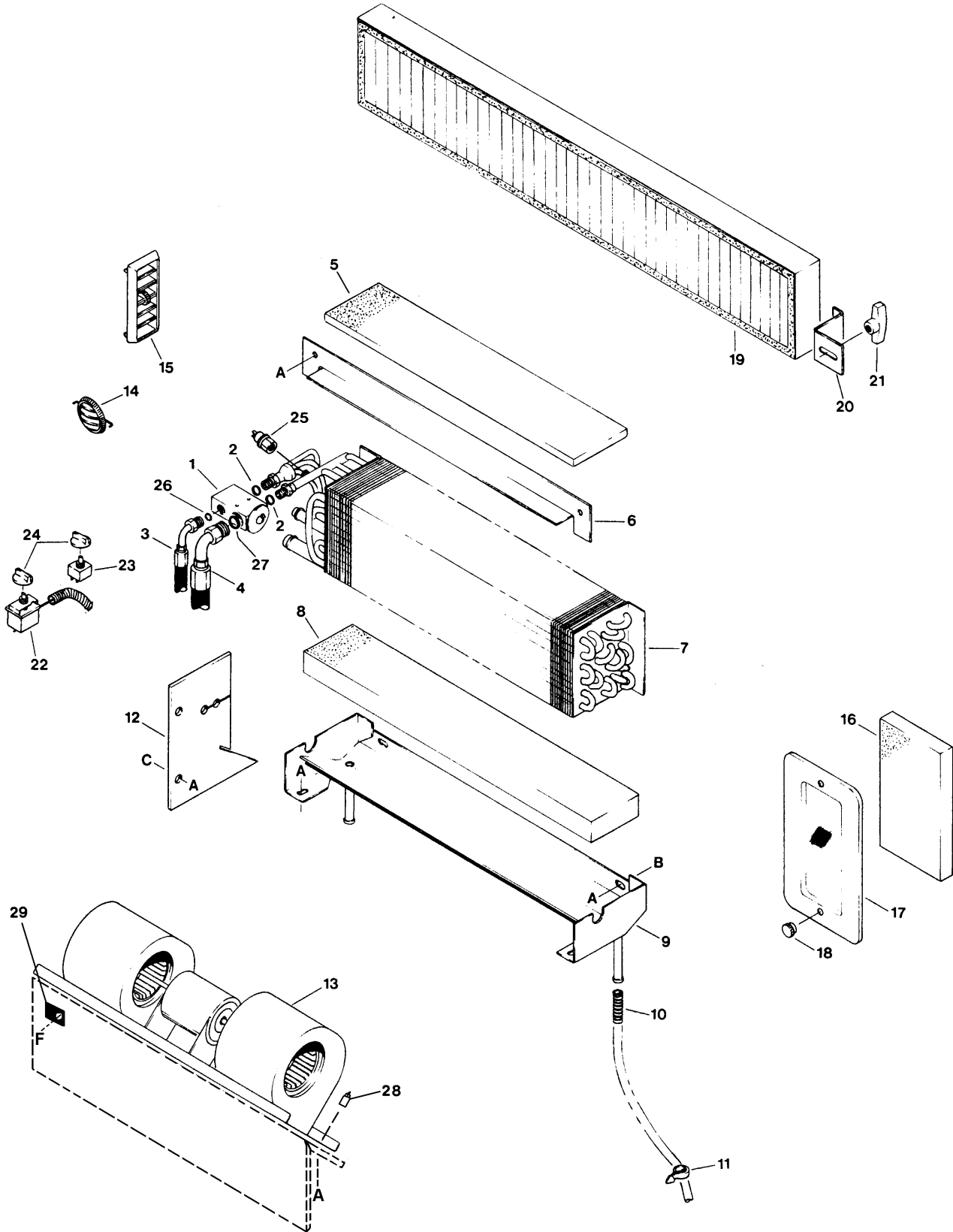
CAB SEATS



SEAT

REF	PART NUMBER	DESCRIPTION	QTY	SERIAL NUMBER
1	109964	SEAT - air suspension, complete (was 109019)	1	
2	45949	SEAT CUSHION – drivers seat	1	-174609
	109967	SEAT CUSHION – drivers seat	1	174610-
3	45950	BACKREST CUSHION – drivers seat	1	-174609
	109966	BACKREST CUSHION – drivers seat	1	174610-
4	42932	ARMREST – left, drivers seat (for R/H armrest, see “Side Console”, p. 16) 1	1	-174609
	109848	ARMREST – left, drivers seat (for R/H armrest, see “Side Console”, p. 16).....	1	174610-
	109849	PAD – L/H armrest	1	174610-
5	42927	SLIDE SERVICE KIT - includes both sides & latch wire	1	
6	42937	AIR CONTROL VALVE SERVICE KIT - includes valve, knob & hardware..	1	
	45953	KNOB – air valve with set screw	1	
7	109813	COMPRESSOR / WIRE HARNESS SERVICE KIT – includes:	1	
		compressor, harness & hardware (was 42934)		
8	45951	KNOB SERVICE KIT – includes:	1	-174609
		• back tilt knob (item 26) and recliner handle assembly		
		• lumbar support knob		
		• fore-aft knob		
9	45952	KNOB – fore-aft isolator	1	
10	45954	SEAT BELT – drivers seat.....	1	
11	45955	SWITCH – seat.....	1	-174609
	109968	SWITCH – seat	1	174610-
12	45956	HARNESS – seat switch	1	-174609
	109969	HARNESS – seat switch.....	1	174610-
13	42926	VERTICAL SUSPENSION SHOCK SERVICE KIT	1	
14	42930	FORE-AFT ISOLATOR SHOCK SERVICE KIT	1	
15	42931	BEARING SERVICE KIT - includes all bearings	1	
16	42929	AIR LINE & FITTING SERVICE KIT	1	-146999
	109812	AIR LINE & FITTING SERVICE KIT	1	147000-
17	42938	AIR SPRING (air bag)	1	
18	45853	PANEL - seat, with seals	1	
19	25051	SEAL - foam	2	
20	109100	CUSHION – trainers seat	1	
21	45691	ANGLE – trainers seat mount.....	1	
22	45687	ROD – trainer seat.....	1	
23	45700	SUPPORT – trainers seat	1	
24	109102	SEAT BELT – trainers seat	1	
25	39272	CLIP – for cab harness	1	
26	45973	KNOB – seat back tilt	1	-174609
	109851	RECLINER KIT – knob, brackets, springs & hardware	1	174610-
	109852	RECLINER KNOB.....	1	174610-
27	109853	KNOB – lumbar with roll pin.....	1	174610-
28	109965	SEAT TOP – assembly	1	174610-
29	109970	SEAT ADAPTER PLATE.....	1	174610-
A	30228	NUT - lock, smooth flange, 3/8 NC distorted thread		
B	50076	BOLT – flange, 3/8 NC x 5/8 inch		
C	42287	BOLT – socket, button head, 3/8 NC x 1/2 inch		
D	30715	BOLT - hex head, M8 x 20 mm		
E	30716	WASHER - lock, M8		

CAB AIR CONDITIONING & BLOWER GROUP

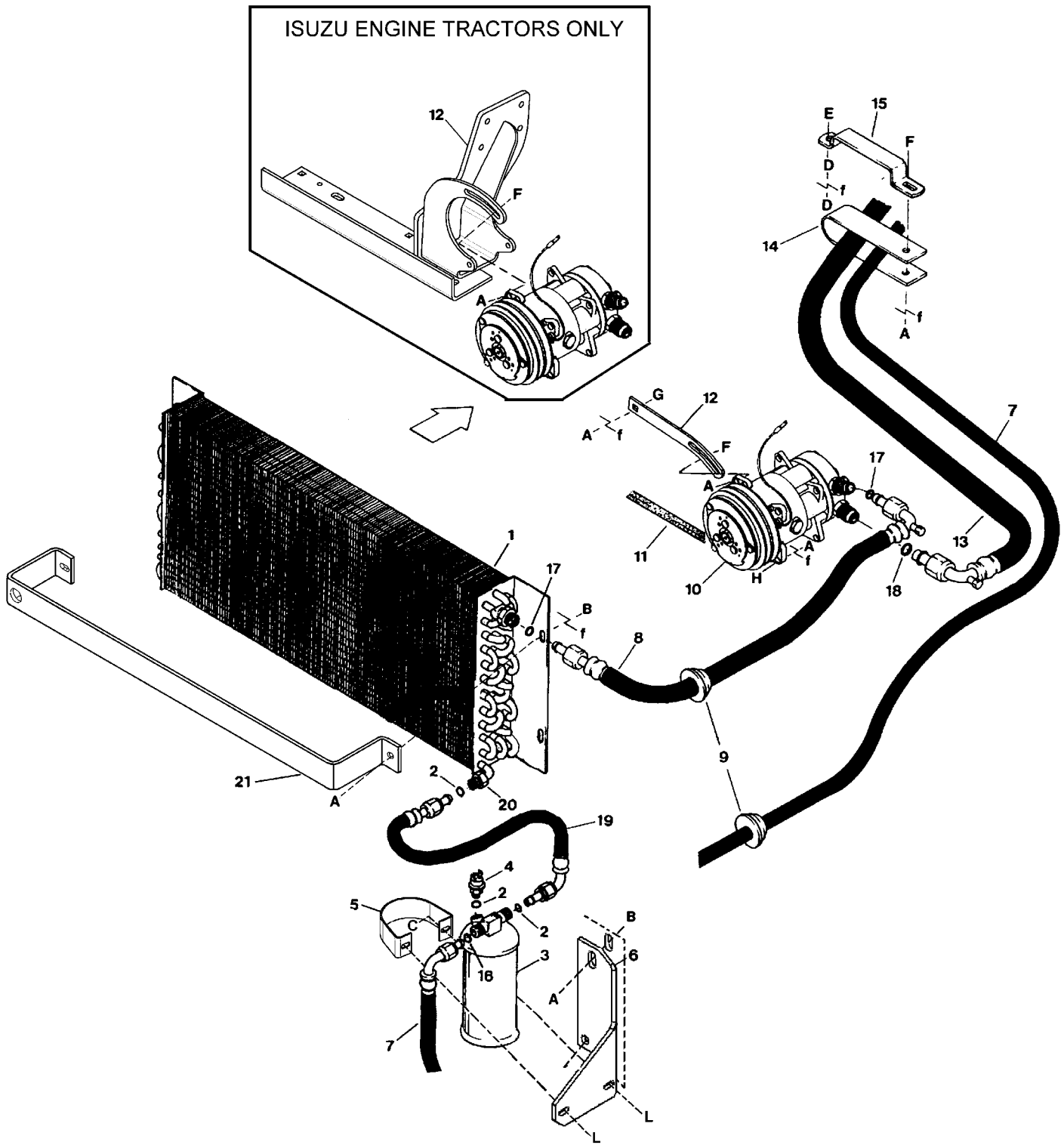


CAB AIR CONDITIONING & BLOWER GROUP

REF	PART NUMBER	DESCRIPTION	QTY	SERIAL NUMBER
1	42879	VALVE - expansion	1	
2	42895	O-RING - evaporator to expansion valve	4	
3	42893	HOSE - air conditioning, liquid.....	1	
4	42891	HOSE - air conditioning, suction.....	1	
5	42277	INSULATOR - foam.....	1	
6	42442	RETAINER - evaporator	1	
7	42878	EVAPORATOR / HEATER CORE.....	1	
8	42276	BAFFLE - foam.....	1	
9	42436	PAN - condensate, (includes foam pad bonded to underside of pan).....	1	
10	42275	HOSE - drain	1	
11	42523	CLIP - drain hose.....	4	
12	42282	PAD - rubber.....	1	
13	45822	BLOWER - complete	1	
14	42076	VENTILATOR - circular	4	
15	42067	VENTILATOR - rectangular.....	3	
16	25086	FILTER - return air, (located on cab rear wall)	2	
17	25102	GRILL - return air filter	2	
18	21931	KNOB - plastic	4	
19	42445	CLEANER - air intake, (located under rear overhang of cab roof)	1	
20	42598	RETAINER - cleaner	1	
21	42075	KNOB - plastic	1	
22	42518	THERMOSTAT - with capillary tube & conduit.....	1	
23	109078	SWITCH - blower control.....	1	
24	42727	KNOB - control	2	
25	42925	SWITCH - low pressure.....	1	
26	42894	O-RING - for hose 42893.....	2	
27	42896	O-RING - for hose 42891.....	2	
28	109004	HOLDER - blower	2	
29	109082	RESISTOR - blower.....	1	
A	30228	NUT - lock, smooth flange, 3/8 NC distorted thread		
B	21821	BOLT - flange head, 3/8 NC x 3/4 inch		
C	21863	BOLT - round head, square neck, 3/8 NC x 3/4 inch		
F	42292	SCREW - self tapping		
~ f	REF	Indicates where hardware passes through frame member.		

NOTE: For related parts, see "Air Conditioning - Engine Group", page 31.

AIR CONDITIONING - ENGINE GROUP



AIR CONDITIONING - ENGINE GROUP

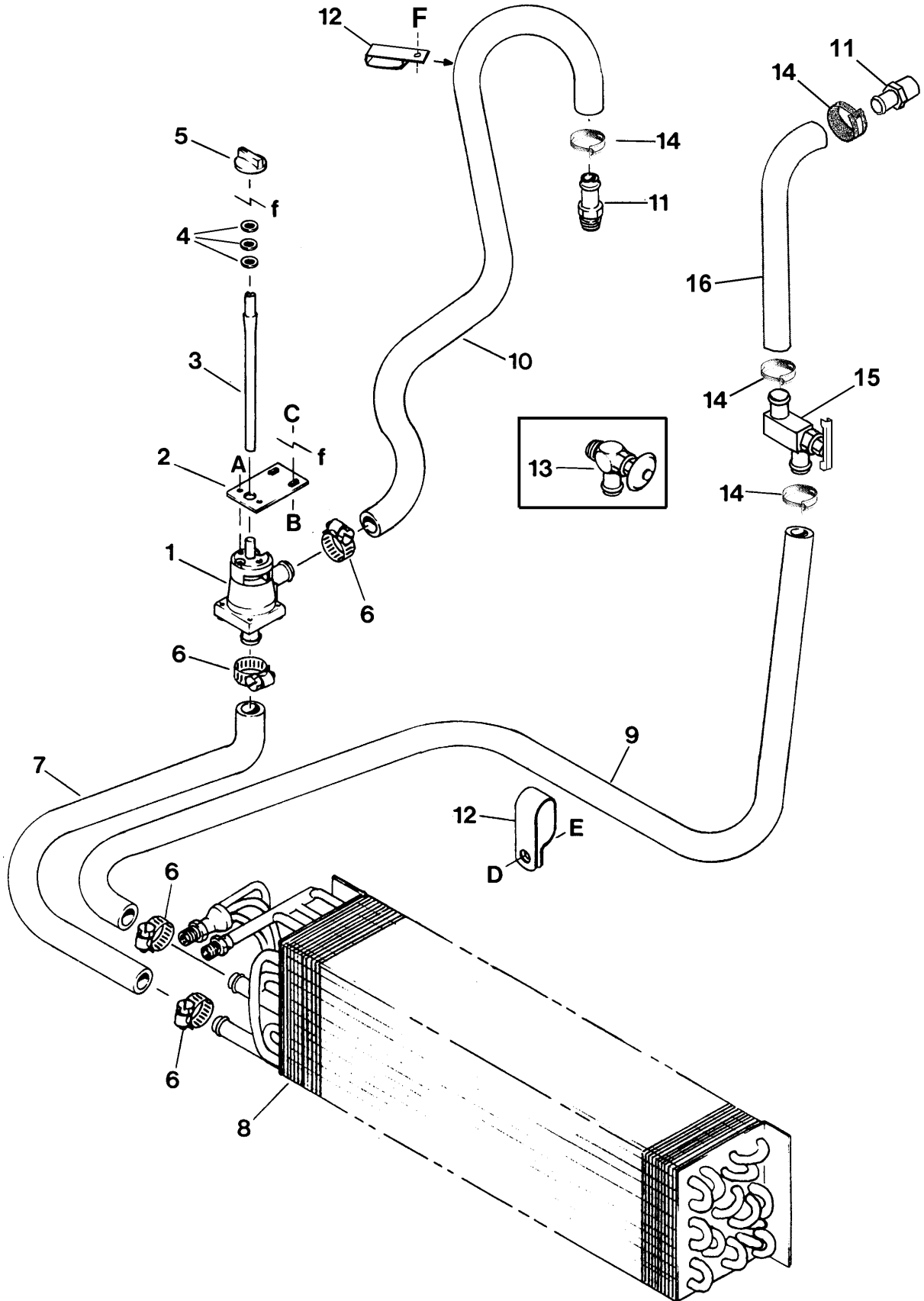
REF	PART NUMBER	DESCRIPTION	QTY	SERIAL NUMBER
1	112195	CONDENSER (includes item 20)	1	
2	42894	O-RING - condenser to drier (2) & switch to drier	3	
3	112082	DRIER/RECEIVER	1	
4	112081	SWITCH - high pressure - with O-ring 42894	1	
5	112196	BAND - drier mount	1	
6	112093	SUPPORT - drier	1	
7	42893	HOSE - air conditioning, liquid	1	
8	45820	HOSE - air conditioning, discharge	1	
9	45155	GROMMET - hose protector	2	
10	42920	COMPRESSOR - see Note 2	1	
11	21964	BELT - compressor drive	1	
12	111013	BAR - belt tightener, all except XX52i tractors	1	
	111270	MOUNT - engine, with alternator belt tightener, XX52i tractors only	1	
13	42891	HOSE - air conditioning, suction	1	
14	44336	STRIP - hose protector	2	
15	44485	HOLDER - hose	2	
16	42894	O-RING - for hose 42893	2	
17	42895	O-RING - for hose 45820	2	
18	42896	O-RING - for hose 42891	2	
19	45819	HOSE - air conditioning, liquid	1	
20	45614	FITTING - adapter (brazed on to condenser)	1	
21	112207	GUARD - coolers	1	
A	30228	NUT - lock, smooth flange, 3/8 NC distorted thread		
B	21863	BOLT - round head, square neck, 3/8 NC x 3/4 inch		
C	21476	BOLT - round head, square neck, 1/4 NC X 3/4 inch		
D	18591	NUT - hex, 3/8 NC		
E	18723	BOLT - hex head, 1/2 NC x 1-1/2 inch		
F	19966	BOLT - round head, square neck, 3/8 NC x 1-1/4 inch		
G	19965	BOLT - round head, square neck, 3/8 NC x 1 inch		
H	21264	BOLT - hex head, 3/8 NC x 1-1/4 inch		
L	18724	NUT - lock, 1/4 NC distorted thread		

~ f REF Indicates where hardware passes through frame or support member.

NOTES:

1. For related parts, see "Cab Air Conditioning & Blower Group", page 29.
2. Compressor includes total system requirement of refrigerant oil: 240 cc (8.1 US fl.oz.) SP-16 PAG.

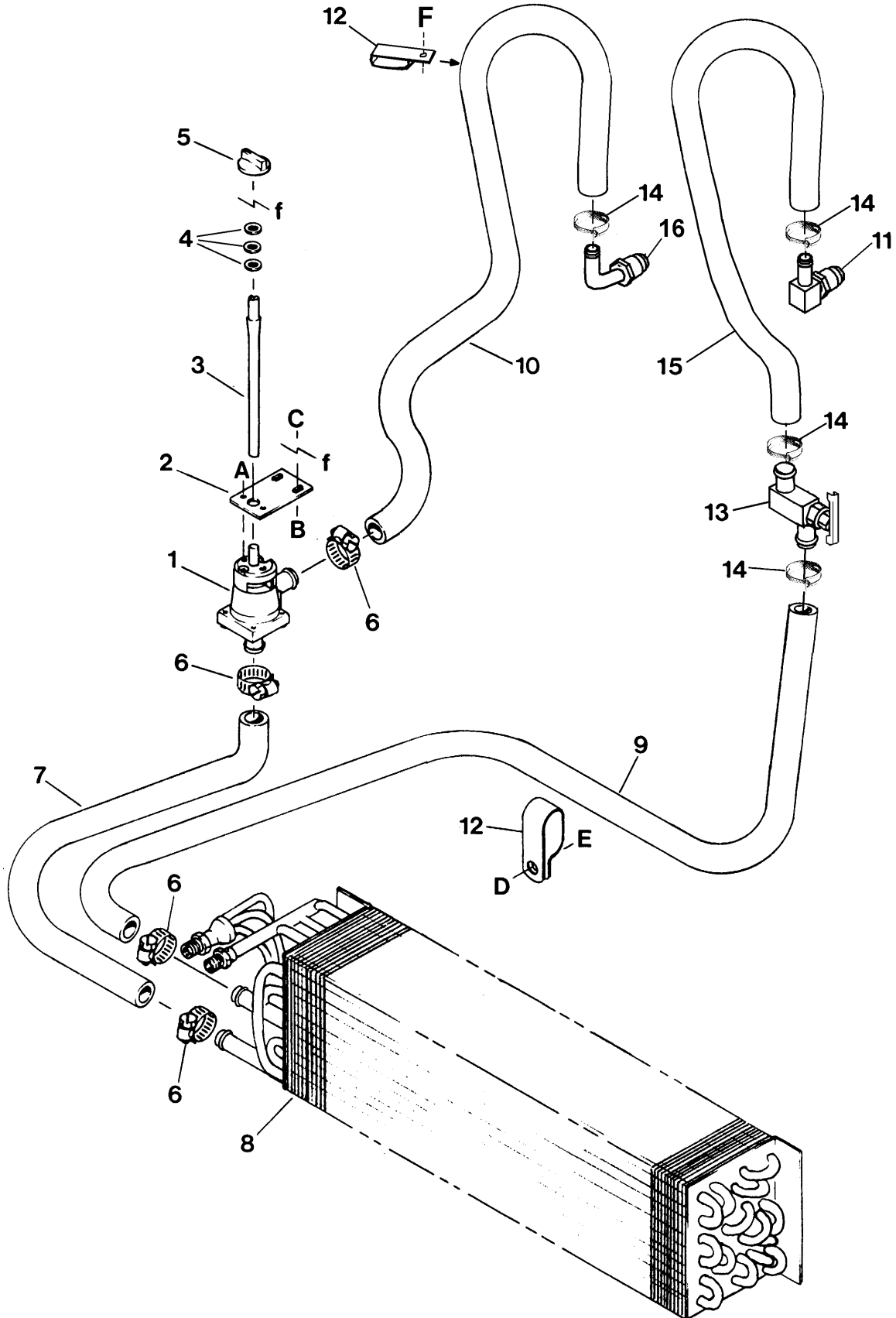
HEATER - CUMMINS ENGINE TRACTOR



HEATER – CUMMINS ENGINE TRACTOR

REF	PART NUMBER	DESCRIPTION	QTY	SERIAL NUMBER
1	30334	VALVE - heater.....	1	
2	42658	SUPPORT - heater valve	1	
3	42657	TUBE - heater control.....	1	
4	18596	WASHER – flat, sae 9/32 inch ID	1	
5	42727	KNOB - control	1	
6	21349	CLAMP – hose, gear type.....	4	
7	24936	HOSE - heater, valve to bottom of heater core	1	
8	42878	HEATER CORE / EVAPORATOR.....	1	
9	42280	HOSE - heater, engine water pump housing to top of heater core.....	1	-162249
	111784	HOSE – heater, engine shut-off valve to top of heater core.....	1	162250-
10	42279	HOSE - heater, valve to top of engine block (fan end)	1	
11	112662	FITTING - heater, 1/2 NPT x 5/8 inch ID hose (was 6137), (qty = 1 up to SN 162249)..	2	
12	50022	CLIP - insulated	4	
13	101904	VALVE - shut off.....	1	-162249
14	112692	CLAMP – hose, constant tension type, (qty = 2 up to SN 162249)	4	
15	111391	VALVE – shut off	1	162250-
16	111783	HOSE – heater, shut-off valve to engine water pump housing.....	1	162250-
A	30366	SCREW - self tapping, #10 x 3/8 inch		
B	21492	NUT - serrated flange, #10 NC		
C	42284	SCREW - machine, #10 NC x 1/2 inch		
D	21863	BOLT - round head, square neck, 3/8 NC x 3/4 inch		
E	30228	NUT - lock, smooth flange, 3/8 NC distorted thread		
F	21821	BOLT – hex head, 3/8 NC x 3/4 inch		
~ f	REF	Indicates where hardware passes through frame or support member.		

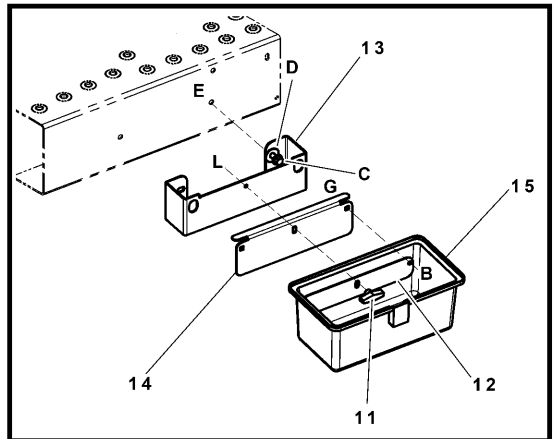
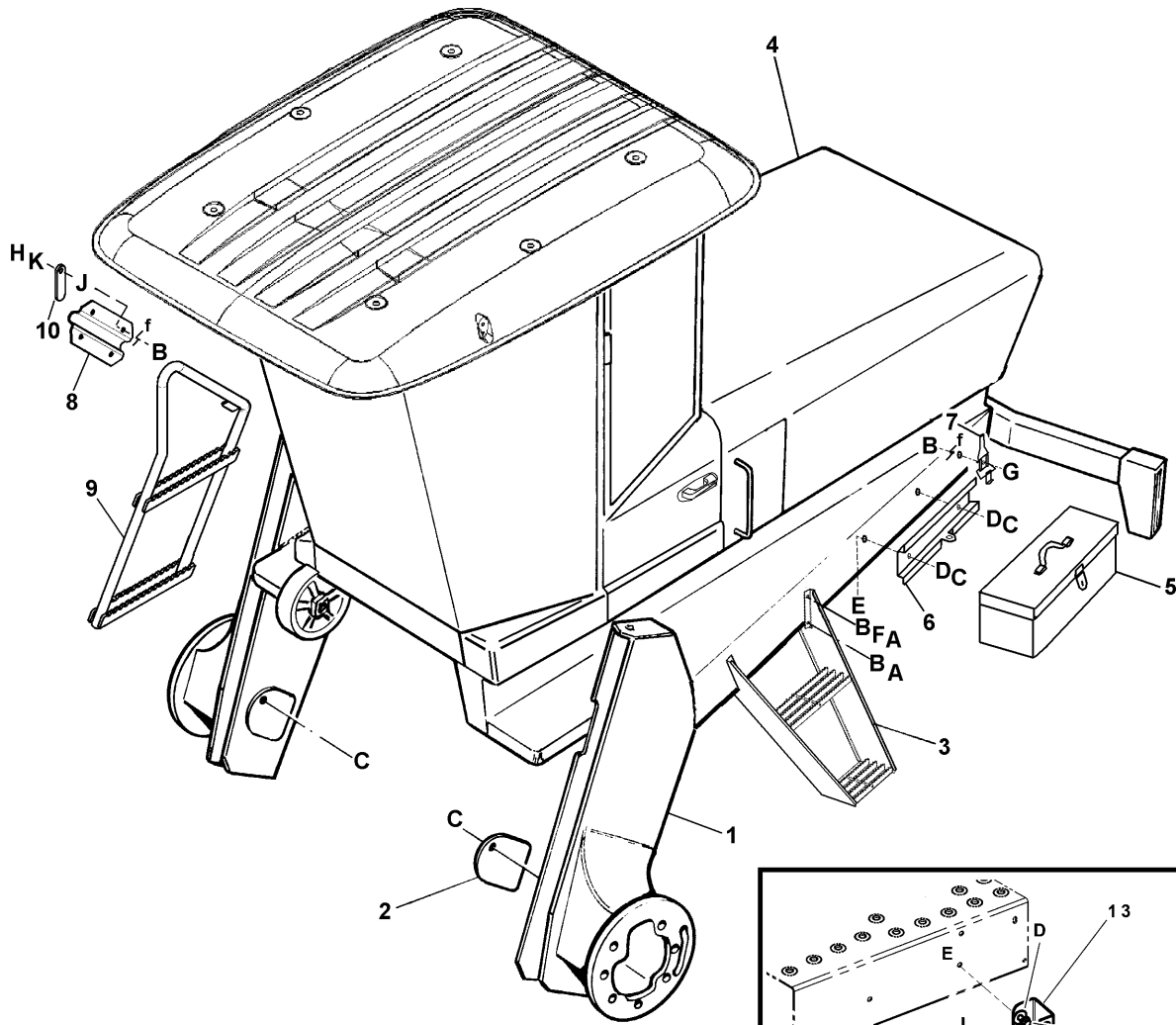
HEATER – ISUZU ENGINE TRACTOR



HEATER – ISUZU ENGINE TRACTOR

REF	PART NUMBER	DESCRIPTION	QTY	SERIAL NUMBER
1	30334	VALVE - heater.....	1	
2	42658	SUPPORT - heater valve	1	
3	42657	TUBE - heater control.....	1	
4	18596	WASHER – flat, sae 9/32 inch ID.....	1	
5	42727	KNOB - control	1	
6	21349	CLAMP – hose, gear type.....	4	
7	24936	HOSE - heater, valve to bottom of heater core	1	
8	42878	HEATER CORE / EVAPORATOR.....	1	
9	111395	HOSE - heater, engine water pump housing to shut off valve.....	1	
10	42279	HOSE - heater, valve to top of engine block (fan end).....	1	
11	111448	FITTING – elbow, 1/2 NPT x 5/8 inch ID hose	1	
12	50022	CLIP - insulated	4	
13	111391	VALVE - shut off.....	1	
14	112692	CLAMP – hose, constant tension type	4	
15	24936	HOSE – heater, shut off valve to engine water pump housing.....	1	
16	111402	ELBOW – heater supply (Isuzu # 5-13721-034-1).....	1	
A	30366	SCREW - self tapping, #10 x 3/8 inch		
B	21492	NUT - serrated flange, #10 NC		
C	42284	SCREW - machine, #10 NC x 1/2 inch		
D	21863	BOLT - round head, square neck, 3/8 NC x 3/4 inch		
E	30228	NUT - lock, smooth flange, 3/8 NC distorted thread		
F	21821	BOLT – hex head, 3/8 NC x 3/4 inch		
~ f	REF	Indicates where hardware passes through frame or support member.		

MAIN FRAME & COVERS



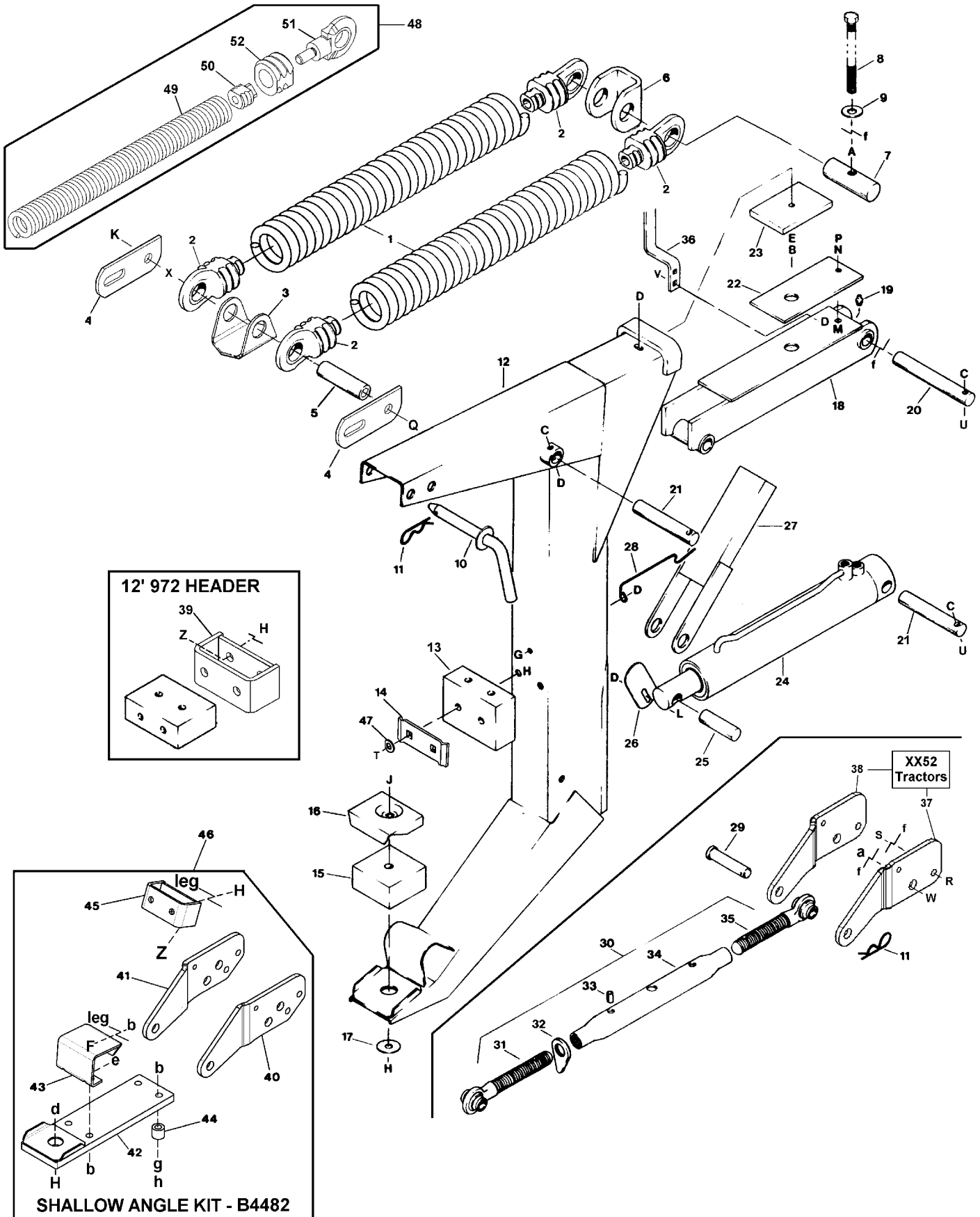
REPLACEMENT TOOLBOX

MAIN FRAME & COVERS

REF	PART NUMBER	DESCRIPTION	QTY	SERIAL NUMBER
1	REF	FRAME - main, not serviced.....	1	
2	45188	COVER - left inner leg	1	
	45189	COVER - right inner leg	1	
3	110012	LADDER – step, left side (was 45860)	1	
4	REF	COVER - engine, see "Engine Superstructure"	1	
5	21165	TOOL BOX (see note 1)	1	-174609
6	21166	BRACKET – toolbox mounting	1	-174609
7	45948	HOLDER – grease gun	1	
8	112437	BRACKET – right ladder	1	
9	112448	LADDER – step, right side	1	
10	112461	ARM – right ladder	1	
11	42075	KNOB – toolbox bracket	1	174610-
12	167019	PLATE – mount	1	174610-
13	167016	BRACKET – toolbox holder	1	174610-
14	167017	BRACKET – toolbox	1	174610-
15	167047	TOOLBOX	1	174610-
A	21975	BOLT - hex head, 3/8 NC x 1 inch		
B	30228	NUT - lock, smooth flange, 3/8 NC distorted thread		
C	21449	BOLT - flange head, 1/2 NC x 1 inch		
D	32247	WASHER – flat, 1/2 inch ID		
E	21383	NUT – flange, 1/2 NC		
F	37676	WASHER – flat		
G	21863	BOLT – round head, square neck, 3/8 NC x 3/4 inch		
H	21561	BOLT – hex head, 3/8 NC x 1-1/2 inch		
J	18590	NUT – hex, 3/8 NC		
K	18598	WASHER – flat, 13/32 inch ID		
L	135193	SCREW –hex wash hd thd rolling 3/8 NC X 1.0		
~ f	REF	Indicates where hardware passes through frame member.		

NOTE: If prior production toolbox (item 5 - 21165) is not available, kit 167027 will be substituted. This Kit includes items 11-15 and applicable hardware.

LIFT LINKAGE

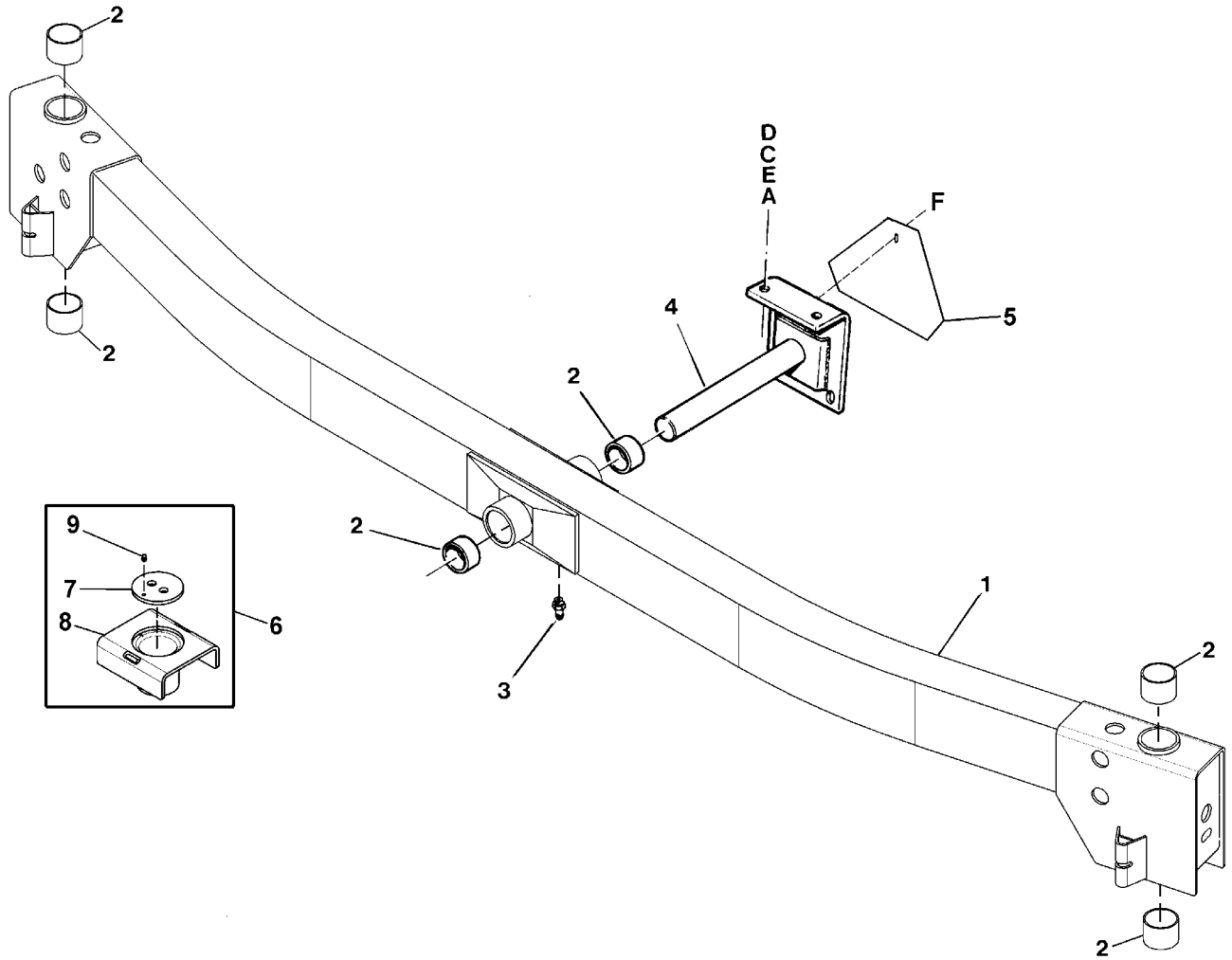


LIFT LINKAGE

REF	PART NUMBER	DESCRIPTION	QTY	SERIAL NUMBER
1	45858	SPRING - extension	4	
2	42691	INSERT - spring.....	8	
3	112226	SUPPORT - front spring mount	2	
4	112224	BAR - front mount.....	4	
5	112225	TUBE - front mount	2	
6	44601	CLEVIS - rear mount	2	
7	44995	PIN - straight, rear spring.....	2	
8	44994	DRAW BOLT - spring, hex head.....	2	
9	30441	WASHER - flat, hardened.....	2	
10	112269	PIN - "L"	2	
11	13125	PIN - hair	4	
12	45931	● SUPPORT - linkage, with decals	2	
	45961	■ SUPPORT - linkage, with decals	2	
13	44577	BLOCK - wear (shown positioned for 920, 930 or 940 series headers)	2	
14	45886	BAR - wear block	2	
15	42498	PAD - rubber, lower leg.....	2	
16	44575	PLATE - pad cover	2	
17	11695	WASHER - flat.....	2	
18	44977	ARM - top link, with lube fitting (item 19)	2	
19	21887	FITTING - lube	2	
20	44590	PIN - top link (rear)	2	
21	44988	PIN - cylinder (rear) and top link (front)	4	
22	45038	PLATE - header levelling	4	
23	42497	PAD - rubber, top link	2	
24	REF	CYLINDER - header lift, see "Hydraulics: Cylinder Control, page 85		
25	44823	PIN - cylinder (front).....	2	
26	44822	BAR - cylinder mount.....	2	
27	44817	STOP - cylinder	2	
28	44784	HOOK - cylinder stop.....	2	
29	20312	PIN - clevis, center link	2	
30	42104	JOINT ASSEMBLY - center link, includes items 31 to 35.....	1	
31	42432	JOINT - ball, R/H thread (header end).....	1	
32	42433	COLLAR - locking.....	1	
33		PIN - roll.....	2	
34	42434	TUBE - center link.....	1	
35	42431	JOINT - ball, L/H thread (tractor end)	1	
36	45490	BAR - header height gauge, with indicator decal.....	1	
37	110009	■ PLATE - left, center link extension.....	1	
38	110010	■ PLATE - right, center link extension.....	1	
39	118283	EXTENSION - wear block, 12' 972 header only	2	
40	110276	PLATE - L/H, shallow angle kit	1	
41	110277	PLATE - R/H, shallow angle kit	1	
42	110281	SPACER - lower leg, shallow angle kit	2	
43	110282	CHANNEL - retainer, shallow angle kit	2	
44	110285	TUBE - spacer, shallow angle kit.....	4	
45	118283	SUPPORT - shallow angle kit.....	2	
46	B4482	KIT - shallow angle, consists of items 40-45.....	OPT	(Kit available through WholeGoods only)
47	36229	WASHER - flat, cropped	4	
48	B2773	KIT - auxiliary float spring kit (includes one each of items 49-52).....	OPT	
49	40766	SPRING - auxiliary spring.....	A/R	
50	41357	INSERT - auxiliary float spring.....	A/R	
51	113747	INSERT - auxiliary float spring.....	A/R	
52	113748	INSERT - auxiliary float spring.....	A/R	
A	18592	NUT - hex, 5/8 NC	S	18697 NUT - lock, 1/2 NC distorted thread
B	21561	BOLT - hex head, 3/8 NC x 1-1/2 inch	T	30011 BOLT - hh, 1/2 NC x 3-1/4, Multi-Crop Headers
C	21354	BOLT - hex head, 3/8 NC x 2 inch	T	21597 BOLT - hh, 1/2 NC x 5 inch: Draper Headers
D	30228	NUT - lock, smooth flange, 3/8 NC dist. thd.	U	18669 NUT - lock, 3/8 NC distorted thread
E	18598	WASHER - flat, 13/32 inch ID	V	19965 BOLT - round head, sq nk, 3/8 NC x 1 inch
F	21868	BOLT - rnd hd, sq nk, 1/2 NC x 1 inch	W	102495 BOLT - hex head, 3/4 NC x 1-1/2 inch
G	21567	BOLT - hex head, 3/8 NC x 3/4 inch	X	18601 ■ WASHER - flat, 13/16 inch ID
H	21389	NUT - lock, 1/2 NC nylon insert	Z	21575 BOLT - hex head, 1/2 NC x 1 inch
J	30266	BOLT - round head, sq nk, 1/2 NC x 3 inch	a	102636 NUT - side lock, 3/4 NC dist. thd.
K	18689	NUT - lock, 3/4 NC	b	50186 NUT - lock, smth flg, 1/2 NC
L	21472	BOLT - rnd hd, sq nk, 3/8 NC x 3/4 inch	d	30849 BOLT - rnd hd, sq nk, 1/2 NC x 3-1/2 inch
M	19966	BOLT - rnd hd, sq nk, 3/8 NC x 1-1/4 inch	e	21565 BOLT - hex head, 1/2 NC x 1-3/4 inch
N	18637	WASHER - lock, 3/8 inch ID	g	18599 WASHER - flat
P	18590	NUT - hex, 3/8 NC	h	21578 BOLT - hex head, 1/2 NC x 2-1/4 inch
Q	30387	BOLT - hex head, 3/4 NC x 6-1/2 inch	~ f	REF Indicates hardware passes thru frame
R	18723	BOLT - hex head, 1/2 NC x 1-1/2 inch		

● - MacDon 9250/9350, Westward 9250/9350, Prairie Star 4940/4950, Premier 2940/2950, Harvest Pro 8140/8150
 ■ - MD 9352/9352i/9352c, WP 9352/9352i/9352c, PS 4952/4952i/4952c, PR 2952/2952i/2952c, HP8152/8152i/8152c

WALKING BEAM & PIVOT



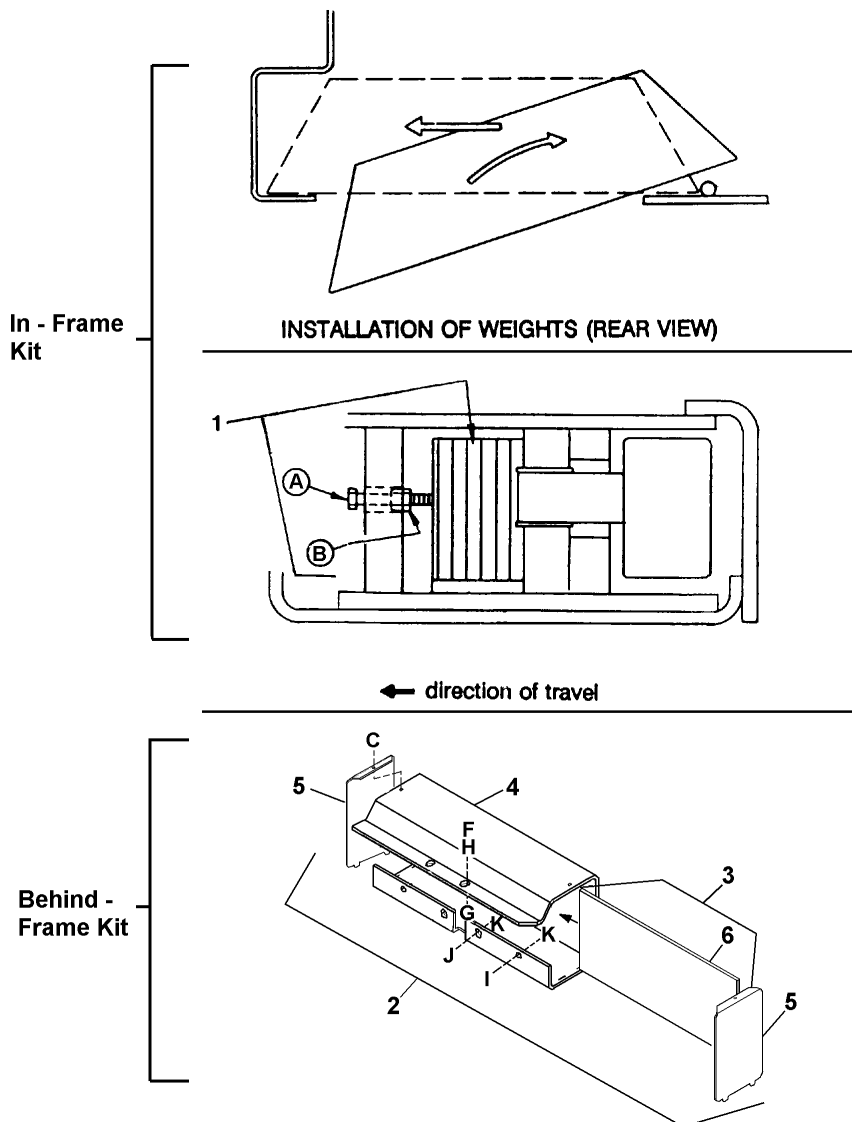
REF	PART NUMBER	DESCRIPTION	QTY	SERIAL NUMBER
1	44739	● BEAM - walking, with bushings, lube fitting & decals (not as illustrated).....	1	
	107550	■ BEAM - walking, with bushings, lube fitting & decals (was 107206)	1	
2	107201	BUSHING – steel..... (see note 1)		
3	7536	FITTING - lube.....	1	
4	45872	PIVOT - walking beam.....	1	
5	21032	SIGN – SMV, reflector	1	
6	110583	■ KIT – REWORK, caster pivot, incl. 2 of items 7, 8 & 9 + instructions.....	1	-156149
7	110582	■ DISC – walking beam	2	-156149
8	110571	■ BUSHING – channel weldment	2	-156149
9	18671	■ FITTING – lube, 1/4 NF	2	-156149
A	19957	BOLT - hex head, 3/4 NC x 2-1/2 inch		
C	18640	WASHER - lock, 3/4 inch ID		
D	18593	NUT - hex, 3/4 NC		
E	18601	WASHER - flat, 13/16 inch ID		
F	21055	SCREW – self tapping, 1/4 NC x 1/2 inch		

NOTES:

1.) For all ● tractors and ■ tractors serial # 156149 & below qty = 2, For ■ tractors serial # 156150 & above qty = 6.

● - MacDon 9250/9350, Westward 9250/9350, Prairie Star 4940/4950, Premier 2940/2950, Harvest Pro 8140/8150
■ - MD 9352/9352i/9352c, WP 9352/9352i/9352c, PS 4952/4952i/4952c, PR 2952/2952i/2952c, HP8152/8152i/8152c

REAR WEIGHT PACKAGE

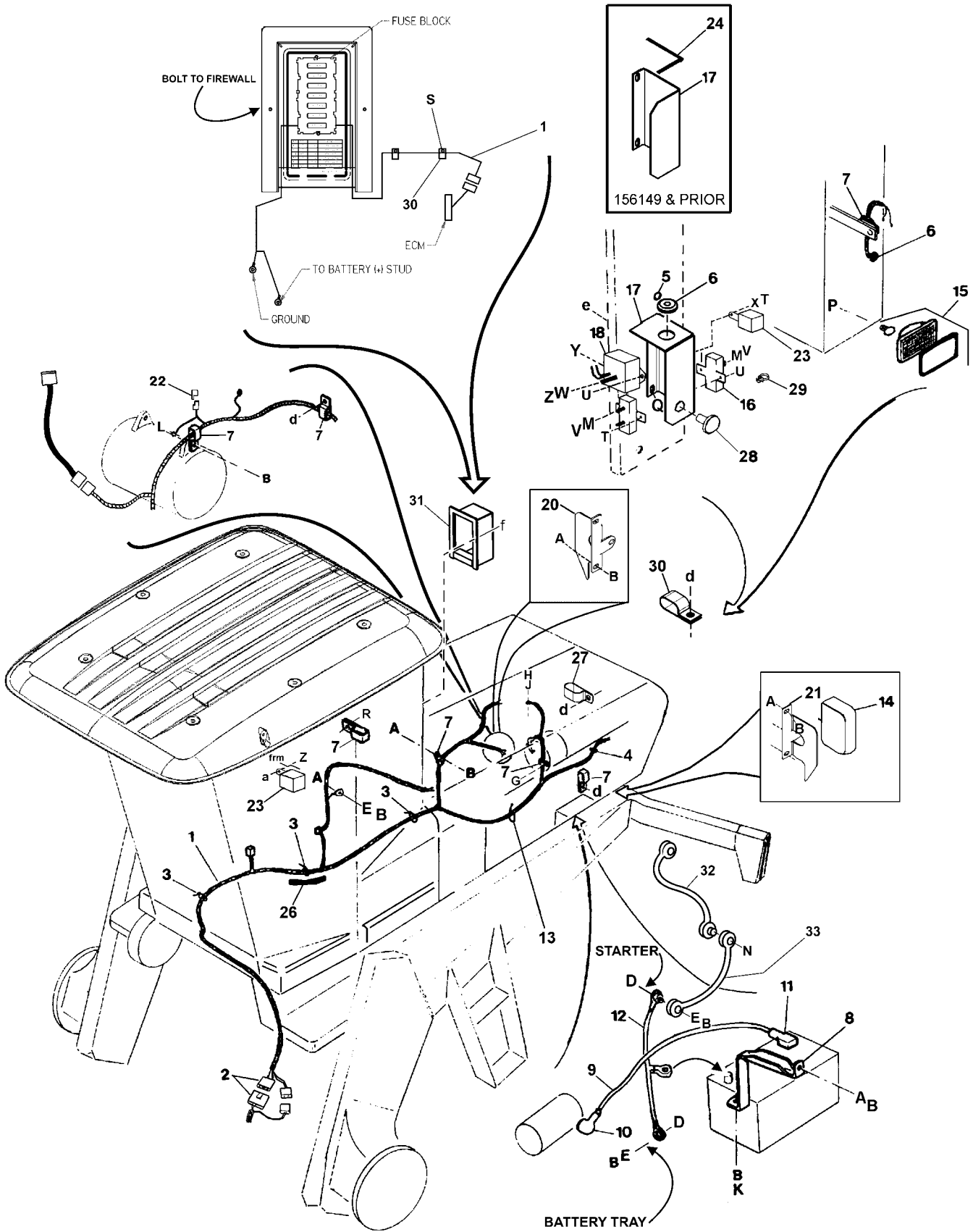


REF	PART NUMBER	DESCRIPTION	QTY	SERIAL NUMBER
1	B2266	KIT – rear weight (in frame pkg), includes 187 lbs (85KG) weight pack & hardware *		
2	B2980	KIT – standard (behind frame pkg), includes 400 lbs (181KG) weight pack & hardware		
3	B2981	KIT – Additional six plates = 300 lbs (136KG), requires item 2 for installation.		
4	112102	SUPPORT – weight box (was 112123)	1	
5	112122	CAP – weight box, 4-bolt design (not shown).....	2	-138024
	112416	CAP – weight box	2	138025-
6	112126	PLATE – weight (qty. 12 with B2980 & B2981)	6	

* 1 or 2 kits B2266 may be installed, as required. Two of B2266 are factory installed for 9352/4952/2952/8152 Tractors Serial No. 144177 and up. (Kits are available through Wholegoods only).

A	30448	BOLT - hex head, 3/4 NC x 3 inch	H	112130	WASHER – flat, 3/4 inch ID
B	21378	NUT - hex jam, 3/4	I	50189	BOLT – hex head, 5/8 NC x 6-1/2 inch
C	101898	SCREW – self tapping, 3/8 x 5/8 inch	J	21871	BOLT – hex head, 5/8 NC x 2-1/2"
F	112128	BOLT – hex head, 3/4 NF x 2-3/4 inch	K	18592	NUT – hex head, 5/8 NC
G	112129	NUT – lock, 3/4 NF			

TRACTOR ELECTRICAL



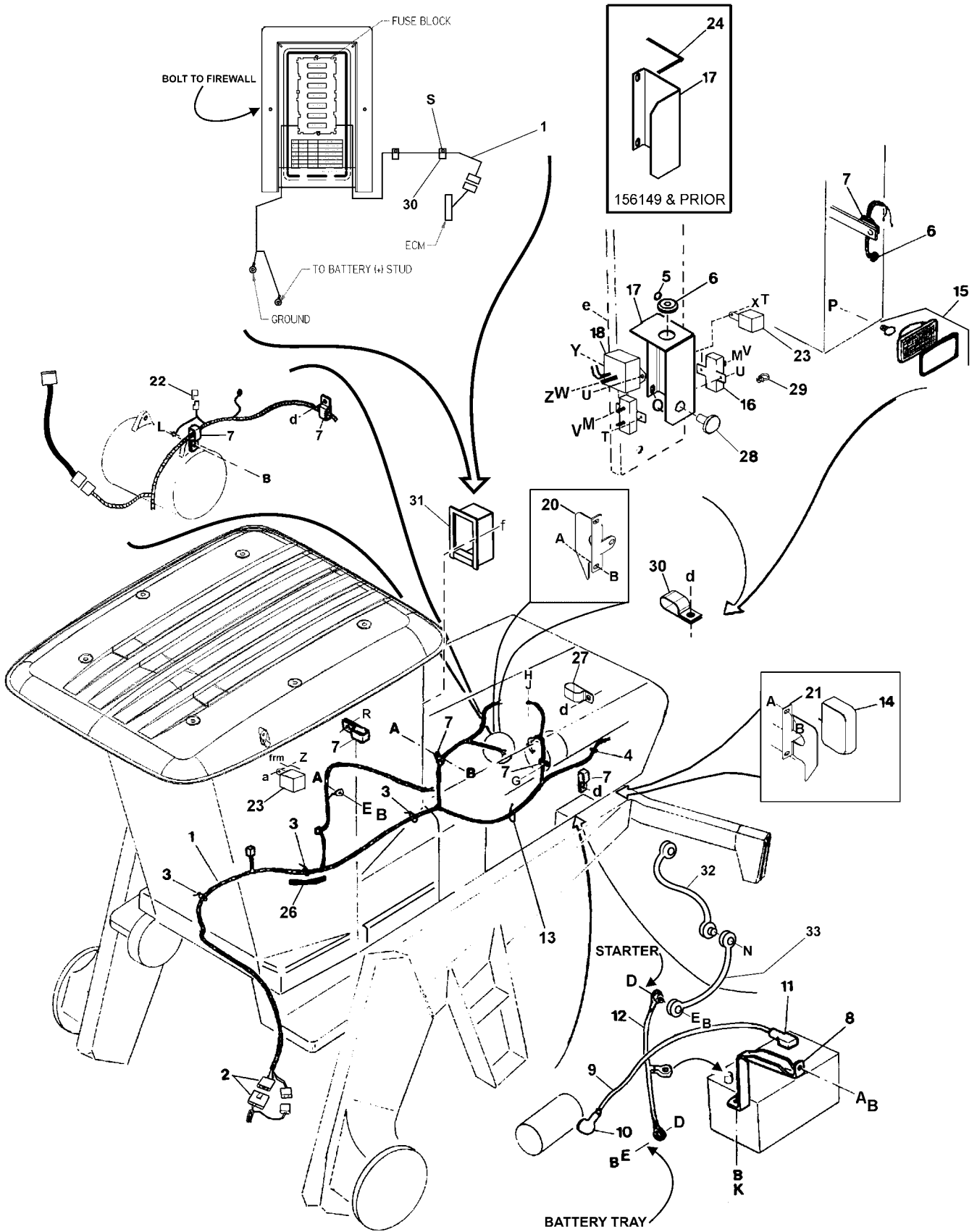
TRACTOR ELECTRICAL

REF	PART NUMBER	DESCRIPTION	QTY	SERIAL NUMBER
1	45970	● HARNESS - wiring, tractor section, includes item 22 (was 45830)	1	-162249
	112947	● HARNESS - wiring, tractor section, includes item 22	1	162250-
	111367	■ HARNESS - wiring, tractor section, includes item 22	1	-162249
	112984	■ HARNESS - wiring, tractor section, includes item 22	1	162250-
	135216	■ FUSE – automatic ATO type, 7.5 amp, component of 112984 harness	1	
	135339	■ CAP – fuse holder, component of 112984 harness	1	
	163556	▲ HARNESS - wiring, tractor section, includes item 22	1	
	163555	▲ HARNESS - wiring, engine control, Cummins tier 2 turbo	1	
2	31062	CONNECTOR KIT – 3 way (includes male and female plugs)		
	112443	CONNECTOR KIT – 2 way (includes male and female plugs)		
3	21763	FASTENER - cable tie – 7 ½ inch	see note 1	
4	42678	FASTENER - cable tie, push mount	2	
5	45155	GROMMET	1	
6	135258	GROMMET (was 42415)	4	
7	39272	CLIP – harness, 3/8 inch ID	see note 2	
8	44468	HOLDER - battery	1	
9	44511	CABLE - starter to battery	1	
	111368	■ CABLE – starter to battery	1	
	167049	▲ CABLE – starter to battery, includes cap nut 109950	1	
10	30689	INSULATOR - starter	1	
11	44350	COVER - battery cable	1	
12	112410	CABLE - ground, battery and engine mount to frame (was 5903 & 24289)	1	
13	30753	FASTENER - cable tie – 14 inch	1	
14	112152	LIGHT - red, replacement bulb #1157	2	
15	109111	LIGHT – pedestal work	2	
	109112	OPTICAL UNIT – for item 15	2	
	109113	BULB – for item 109111	2	
	109114	BEZEL – for item 15	2	
16	21974	BREAKER - circuit, 50 amp	2	
17	112156	SUPPORT – relay/breaker	1	-156149
	112876	●▲ SUPPORT – relay/breaker	1	156150-
	112966	■ SUPPORT – relay/breaker	1	162250-
18	21774	RELAY - electrical	1	
19	112140	HARNESS – wiring, adapter – (N.A. only)	1	
20	112150	SUPPORT – R/H tail light	1	
21	112151	SUPPORT – L/H tail light	1	
22	112415	TERMINAL – diode, compressor circuit	1	
23	30215	RELAY – electrical, (qty. = 3 for XX52i)	1	138025-
24	31889	MOULDING – edge	1	-156149
25	42250	HOSE – slit, fuel line protector (50mm long)	1	
26	42249	HOSE – slit, hydraulic line protector (200mm long)	1	
27	50022	■ CLIP – wiring, 15/16 inch ID	3	
28	112979	■ RESISTOR – control	1	162250-
29	42523	■ CLIP – harness	1	162250-
30	135224	■▲ CLIP – harness, 5/8 inch ID	2	
31	167053	▲ COVER – fuse block, with foam & decal	1	
	167054	FOAM – 435 x 15 x 3 mm	1	
	167055	FOAM – 78 x 19 x 19 mm	1	
32	167051	▲ CABLE – ground, starter to alternator	1	
33	167050	▲ CABLE – ground, starter to block	1	

● - MacDon 9250/9350/9352, Westward 9250/9350/9352, Prairie Star 4940/4950/4952, Premier 2940/2950/2952, Harvest Pro 8140/8150/8152
 ■ - MacDon 9352i, Westward 9352i, Prairie Star 4952i, Premier 2952i, Harvest Pro 8152i
 ▲ - MacDon 9352c, Westward 9352c, Prairie Star 4952c, Premier 2952c, Harvest Pro 8152c

NOTES: 1.) Item 3, for XX40/XX50 Tier 1 tractors qty. = 14, Tier 2 = 16, XX52 tractors qty. = 12, XX52i tractors qty. = 11, XX52c tractors qty = 16
 2.) Item 7, for XX40/XX50 tractors up to SN 162249 qty. = 10, SN 162250 & up = 8, XX52 tractors qty. = 11, XX52i tractors qty. = 12, XX52c tractors qty = 8

TRACTOR ELECTRICAL (Continued)



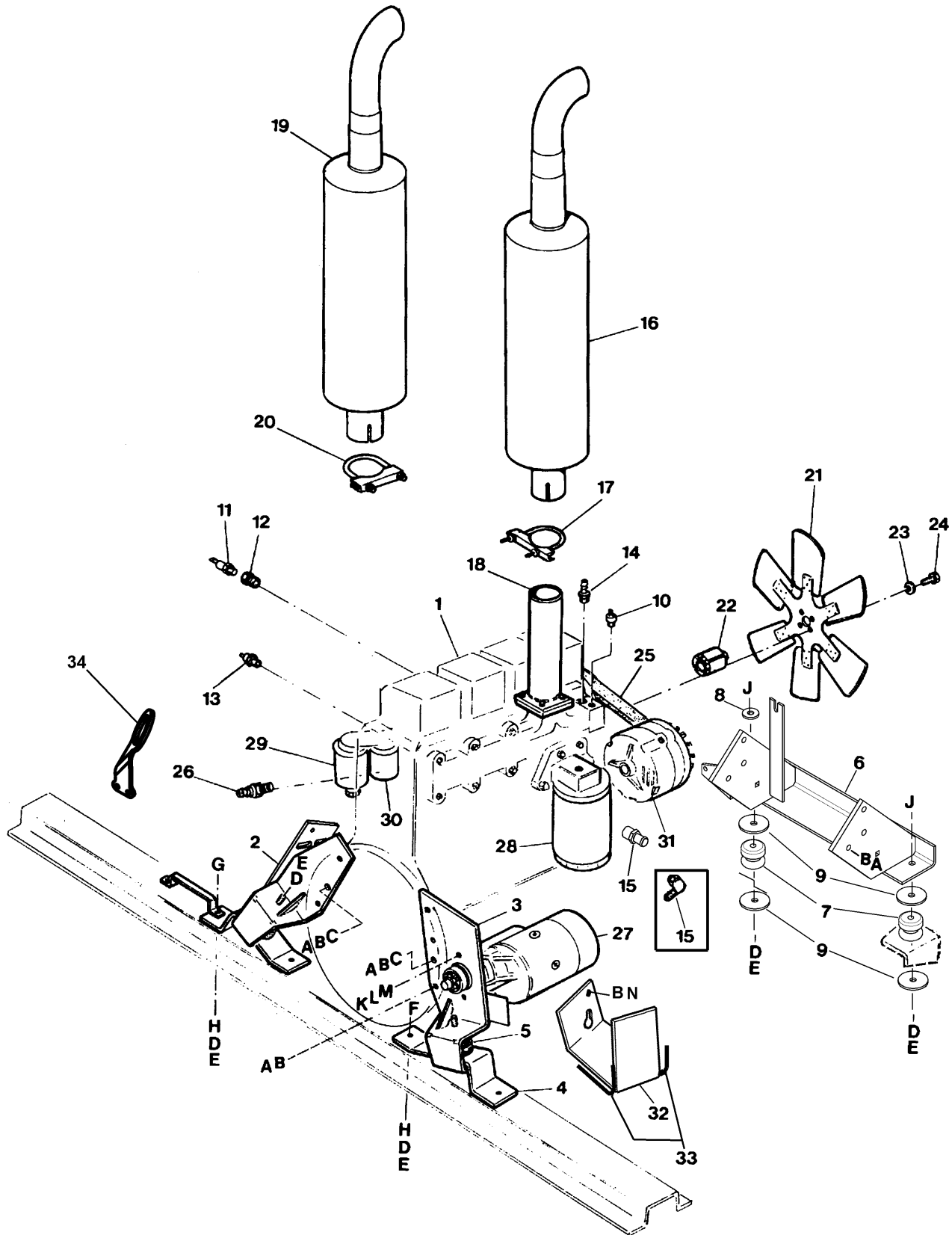
TRACTOR ELECTRICAL (Continued)

REF	PART NUMBER	DESCRIPTION	QTY	SERIAL NUMBER
A	21863	BOLT - rd hd, sq nk, 3/8 NC x 3/4"		
B	30228	NUT - lock, smth flg, 3/8 NC dist thd		
C	50139	BOLT - hex head, M8 x 16 mm		
D	19965	BOLT - rd hd, sq nk, 3/8 NC x 1"		
E	18598	WASHER - flat, 13/32 inch ID		
F	21821	BOLT - flg hd, 3/8 NC x 3/4 inch		
G	30627	BOLT - hex head, M10 x 25 mm		
H	30637	NUT - hex, M6		
J	30631	WASHER - lock, M6		
K	21470	BOLT - rnd hd, sq nk, 3/8 NC x 2"		
L	20077	BOLT - hex head, 3/8 NC x 1 inch		
M	18634	WASHER - lock, #10		
N	50155 ▲	Bolt - hex head, M12 x 25mm lg		
P	50101	NUT - lock, flng, M10 x 1-1/2 inch		
Q	21926	BOLT - rd hd, sq nk, 1/4 NC x 1/2"		
R	18664	NUT - jam, 3/8 NC		
S	50124 ▲	SCREW - self tapping, 5/16 x 1/2		
T	42284	SCREW - machine, #10 NC x 1/2"		
U	21492	NUT - serrated flange, #10 NC		
V	20011	NUT - hex, #10 NF		
W	18635	WASHER - lock, 1/4 inch ID		
X	18795	WASHER - flat, #10 ID		
Y	21455	NUT - serrated flange, 1/4 NC		
Z	18588	NUT - hex, 1/4 NC		
a	21572 ■	BOLT - hex head, 1/4 NC x 5/8"		
d	136005 ■	BOLT - hex hd, M10 x 16 mm		
e	21055 ■	SCREW - self tap, 1/4 NC x 1/2 inch		
f	21947 ▲	SCREW - self tapping, #10 x 5/8		

- - MacDon 9250/9350/9352, Westward 9250/9350/9352, Prairie Star 4940/4950/4952, Premier 2940/2950/2952, Harvest Pro 8140/8150/8152
- - MacDon 9352i, Westward 9352i, Prairie Star 4952i, Premier 2952i, Harvest Pro 8152i
- ▲ - MacDon 9352c, Westward 9352c, Prairie Star 4952c, Premier 2952c, Harvest Pro 8152c

NOTES: 1.) Item 3, for XX40/XX50 Tier 1 tractors qty. = 14, Tier 2 = 16, XX52 tractors qty. = 12, XX52i tractors qty. = 11, XX52c tractors qty = 16
 2.) Item 7, for XX40/XX50 tractors up to SN 162249 qty. = 10, SN 162250 & up = 8, XX52 tractors qty. = 11, XX52i tractors qty. = 12, XX52c tractors qty = 8

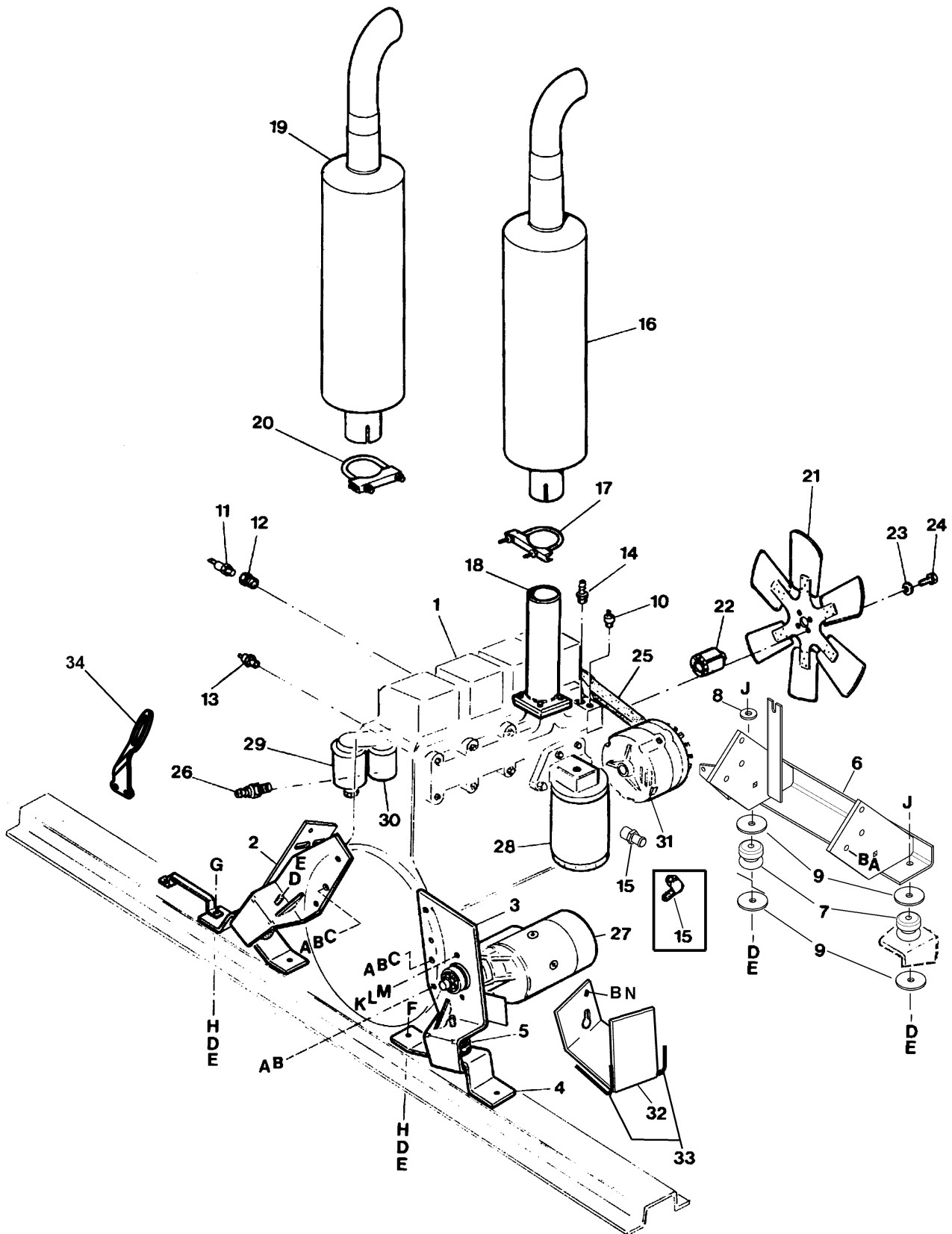
ENGINE ASSEMBLY – CUMMINS ENGINE TRACTOR UNITS



ENGINE ASSEMBLY – CUMMINS ENGINE TRACTOR UNITS

REF	PART NUMBER	DESCRIPTION	QTY	SERIAL NUMBER
1	REF	ENGINE – Cummins diesel, 80 hp N.A (not serviced)	1	
	REF	ENGINE – Cummins diesel, 108 hp Turbo (not serviced)	1	
	REF	ENGINE – Cummins diesel, 110 hp Tier II Turbo (not serviced)	1	
2	111004	SUPPORT - front right	1	
3	44434	SUPPORT - front left, with decal	1	
4	44437	MOUNT - support	2	
5	42008	INSULATOR - front engine mounts	2	
6	44444	SUPPORT - rear	1	
7	42099	INSULATOR - rear engine mounts	2	
8	4761	WASHER - flat, 17/32 ID x 1-3/8 OD x 3/16 inch thick (was 25900)	1	
9	1045	WASHER - flat, 17/32 ID x 2-1/2 OD x 3/16 inch thick	4	
10	42255	SENDER - temperature	1	
11	24556	SWITCH - temperature	1	
12	21980	FITTING - reducer bushing, 3/8 NPT x 1/2 NPT	1	
13	30241	SWITCH - oil pressure	1	
14	112662	FITTING - heater, 1/2 NPT x 5/8 hose (was 6137)	1	
15	101904	VALVE – 90°	1	-162249
	112662	FITTING – heater, 1/2 NPT x 5/8 hose	1	162250-
16	111136	MUFFLER – (N.A only)	1	
17	30651	CLAMP - muffler	1	
18	44469	TUBE - exhaust	1	
19	111089	MUFFLER – (Turbo only)	1	
20	42469	CLAMP - muffler	1	
21	30653	FAN - engine cooling (N.A only)	1	
	111149	FAN – engine cooling (Turbo only)	1	
22	30654	SPACER - fan	1	
23	30655	WASHER - hardened	4	
24	30682	BOLT - hex head, M10 x 90 mm	4	
25	30656	BELT - fan / alternator	1	-162249
	111688	BELT - fan / alternator	1	162250-
26	30937	FITTING - barbed, 1/4 NPT x 5/16 hose, fuel line (N.A only)	1	-162249
	112024	FITTING – barbed elbow, 1/4 NPT x 5/16 hose, fuel line (Turbo only)	1	-162249
	111442	FITTING – barbed elbow, both NA & turbo	1	162250-
27	50026	STARTER - with decal, (Cummins # 3926960 plus MacDon decal 42130)	1	
28	25849	FILTER ELEMENT - oil (Cummins # 3908616)	1	-162249
	111690	FILTER ELEMENT - oil (Cummins # 3934429)	1	162250-
29	25850	FILTER ELEMENT - fuel, primary, with water trap (Cummins # 3903410) ..	1	-162249
	111689	FILTER ELEMENT - fuel, primary, with water trap (Cummins # 3991350)	1	162250-
	162034	FILTER ELEMENT - fuel, primary, with water trap (Cummins # 3966140) turbo only	1	174610-
30	25851	FILTER ELEMENT - fuel, secondary (Cummins # 3903640)	1	-162249
31	REF	ALTERNATOR - see "Alternator Mounting"	1	
32	45641	SHIELD – starter	1	
33	45427	MOULDING – edge	2	
34	163581	SUPPORT – harness, turbo	1	174610-

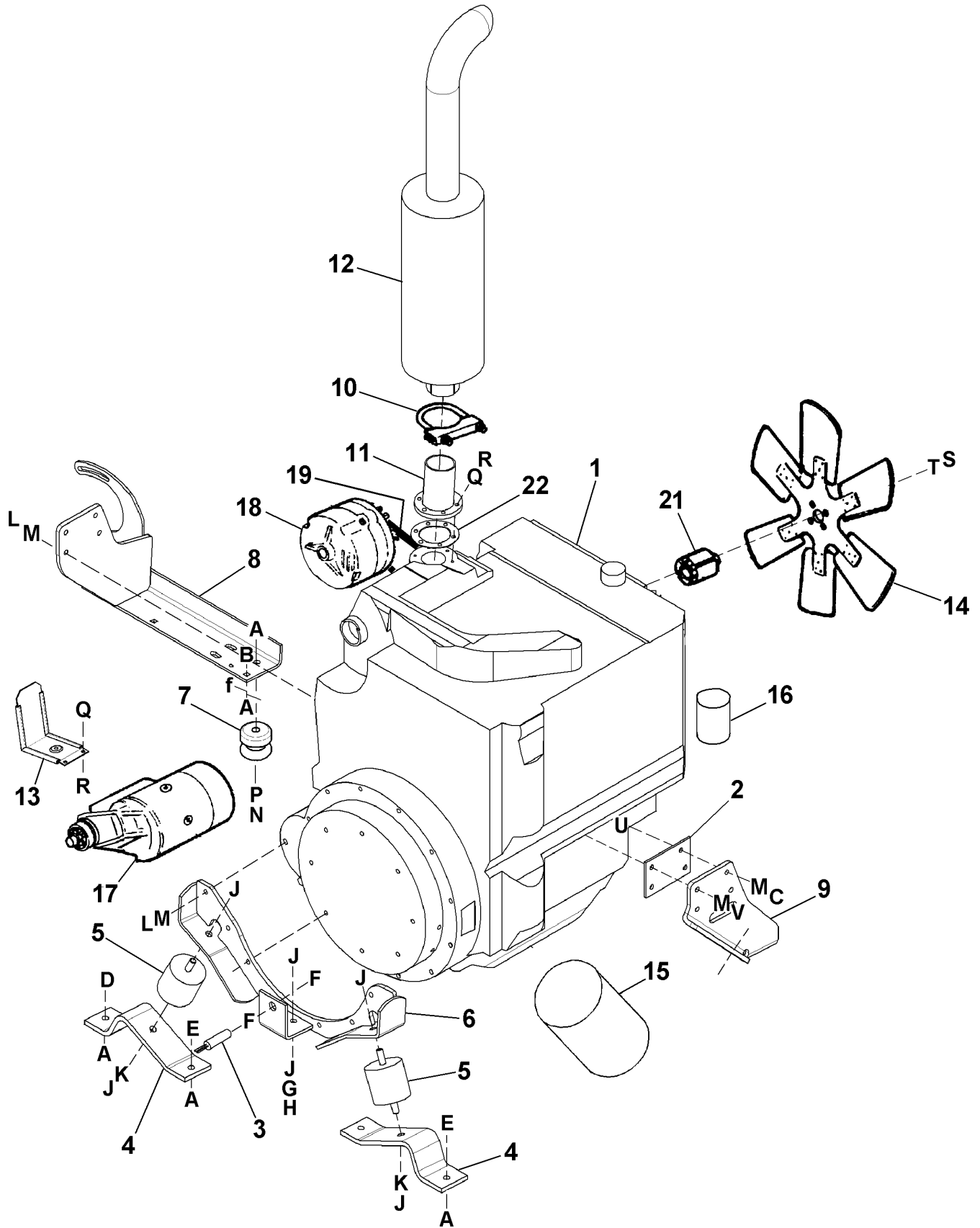
ENGINE ASSEMBLY – CUMMINS ENGINE TRACTOR UNITS



ENGINE ASSEMBLY – CUMMINS ENGINE TRACTOR UNITS

REF	PART NUMBER	DESCRIPTION	QTY	SERIAL NUMBER
A	30630	BOLT - hex head, M12 x 30 mm		
B	30633	WASHER - lock, M12		
C	30636	WASHER - flat, M12		
D	18638	WASHER - lock, 1/2 inch ID		
E	18591	NUT - hex, 1/2 NC		
F	18723	BOLT - hex head, 1/2 NC x 1-1/2 inch		
G	21565	BOLT - hex head, 1/2 NC x 1-3/4 inch		
H	18599	WASHER - flat, 17/32 inch ID		
I	21863	BOLT – round head, square neck, 3/8 NC x 3/4 inch		
J	21560	BOLT - hex head, 1/2 NC x 3 inch		
K	30628	BOLT - hex head, M10 x 35 mm		
L	30632	WASHER - lock, M10		
M	30505	NUT - hex, M10		
N	50155	BOLT – hex head, M12 x 25 mm		
P	30228	NUT – flange, 3/8 NC		

ENGINE ASSEMBLY – ISUZU ENGINE TRACTOR UNITS



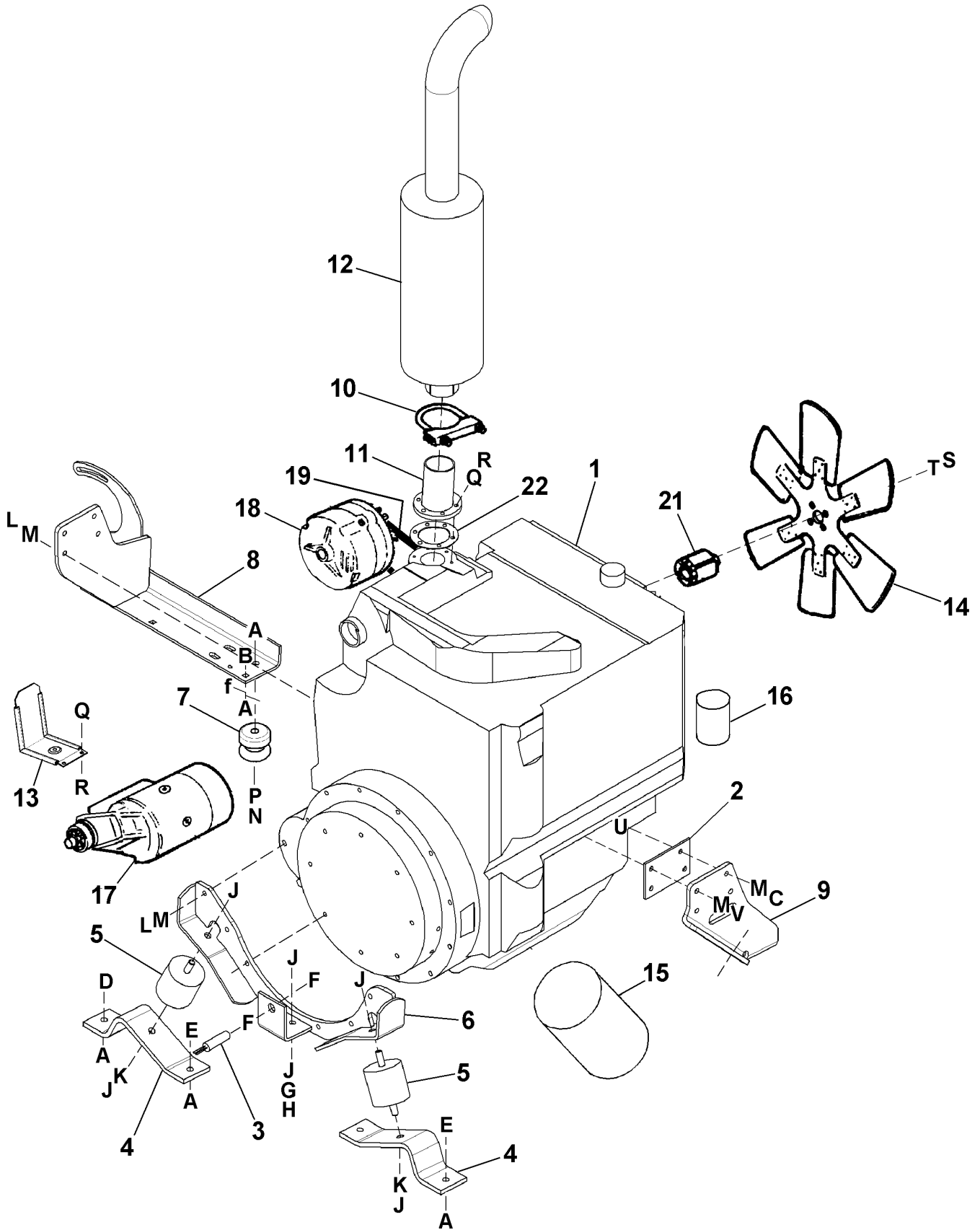
ENGINE ASSEMBLY – ISUZU ENGINE TRACTOR UNITS

REF	PART NUMBER	DESCRIPTION	QTY	SERIAL NUMBER
1	REF	ENGINE – Isuzu diesel, 110 hp Turbo, 4.3L, 4 cylinder, 4 stroke 1 Isuzu model # 4BG1TRW02 (not serviced), service items below, see NOTE 1		
	111396	SWITCH – temperature (Isuzu # 8-97125-601-1) 1	1	
	111397	SENDER – temperature (Isuzu # 9-83151-432-0) 1	1	
	111400	SWITCH – oil pressure (Isuzu # 9-82720-069-0) 1	1	
	111401	SOLENOID – engine stop (Isuzu # 8-97373-762-1) 1	1	
	111404	MANUAL – Isuzu engine owners manual (Isuzu # IDE-6081) 1	1	
	111759	PARTS BOOK – Isuzu engine (Isuzu # 5887109601) A/R	A/R	
	111760	MANUAL – workshop (Isuzu # IDE-2280) A/R	A/R	
	111500	DECAL – emissions (Isuzu # EPA ENGINE FAMILY NO. 5SZXL04.3FTA, EC TYPE APPROVAL NO.: e9*97/68FA*00/000XX*3043*00) 2	2	
	111743	GASKET SET – engine (Isuzu # 587814-3920) A/R	A/R	
	111620	STUD – engine mount (Isuzu # 1-09300-055-0) A/R	A/R	
	112979	RESISTOR – control (Isuzu # 9825300410) A/R	A/R	
	111737	THERMOSTAT – engine (Isuzu # 113770-0700) A/R	A/R	
	111736	GASKET – thermostat housing to pipe (Isuzu # 113743-0160) A/R	A/R	
	111751	GASKET – thermostat housing to block (Isuzu # 897235-7891) A/R	A/R	
	111738	INJECTOR – fuel (Isuzu # 115300-3940) A/R	A/R	
	111739	INJECTOR TIP – fuel (Isuzu # 115311-3000) A/R	A/R	
	111767	WASHER – injector (Isuzu # 515315-003) A/R	A/R	
	111740	WASHER – feed pump banjo fitting (Isuzu # 115759-0010) A/R	A/R	
	111766	ASSEMBLY – feed pump (Isuzu # 115750-199) A/R	A/R	
	111742	HAND PRIMER – fuel (Isuzu # 115761-0060) A/R	A/R	
	111741	O-RING – hand primer (Isuzu # 115623-0160) A/R	A/R	
	111750	WATER SEDIMENTER – fuel (Isuzu # 1132008410) A/R	A/R	
	111757	BOLT – banjo (Isuzu # 909906-3251) A/R	A/R	
	111768	FILTER SCREEN – banjo bolt (Isuzu # 515759-027) A/R	A/R	
	111756	WASHER – fuel, banjo bolt (Isuzu # 909572-0140) A/R	A/R	
	111744	WATER PUMP – engine, c/w gasket (Isuzu # 897253-028-1) A/R	A/R	
	111746	GASKET – oil line return to turbo (Isuzu # 894369-0220) A/R	A/R	
	111748	GASKET – oil line return, drain (Isuzu # 894370-6630) A/R	A/R	
	111749	TURBOCHARGER – engine (Isuzu # 897144-7060) A/R	A/R	
	111747	GASKET – turbo (Isuzu # 894369-0230) A/R	A/R	
	111745	GASKET – turbo to adapter (Isuzu # 894369-0210) A/R	A/R	
	111752	INJECTION PUMP (Isuzu # 897357-9420) A/R	A/R	
	111753	WASHER – injection pipe leak off (Isuzu # 909571-4080) A/R	A/R	
	111754	WASHER – injection pump oil supply (Isuzu # 909571-4100) A/R	A/R	
	111755	WASHER – oil line injection pump (Isuzu # 909572-0100) A/R	A/R	
	111735	WASHER – oil line pressure (Isuzu # 109630-0840) A/R	A/R	
2	111384	PLATE – engine mount spacer, R/H only 1	1	
3	111360	SENDER - tachometer 1	1	
4	44437	SUPPORT - mount 2	2	
5	42008	INSULATOR - front engine mounts 2	2	
6	111361	SUPPORT – engine, R/H rear 1	1	
7	42099	INSULATOR - rear engine mounts 2	2	
8	111270	SUPPORT – engine, R/H rear 1	1	
9	111273	SUPPORT – engine, L/H rear 1	1	
10	30651	CLAMP - exhaust 1	1	

NOTES:

- The Isuzu engine repair parts listed under item 1 are available from your local Isuzu dealer using the Isuzu part numbers shown. If parts are not available from Isuzu, they may be ordered from MacDon using MacDon part numbers; however, Isuzu parts purchased from MacDon will cost more than if sourced from an Isuzu dealer. Warranty issues related to these parts should be submitted to your nearest Isuzu dealer. MacDon will not be responsible for the difference between Isuzu warranty coverage and the cost of the item purchased through MacDon Parts.

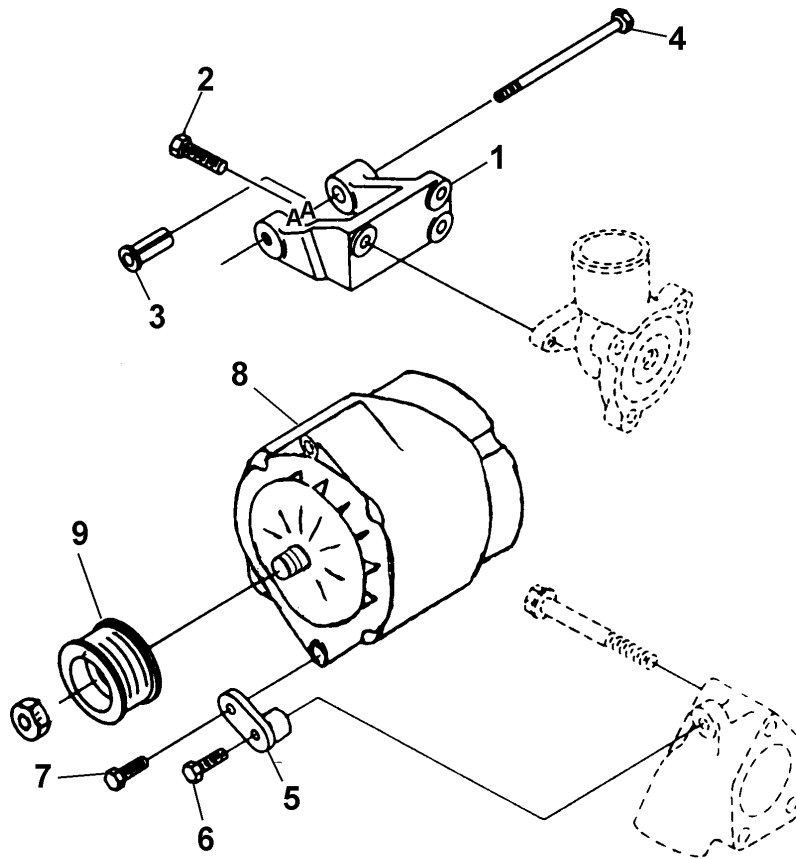
ENGINE ASSEMBLY – ISUZU ENGINE TRACTOR UNITS



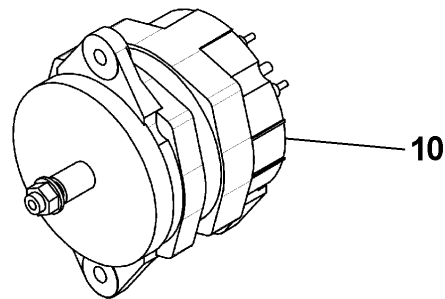
ENGINE ASSEMBLY – ISUZU ENGINE TRACTOR UNITS

REF	PART NUMBER	DESCRIPTION	QTY	SERIAL NUMBER
11	112454	TUBE – exhaust	1	
12	112487	MUFFLER.....	1	
13	111369	SHIELD – starter	1	
14	111436	FAN.....	1	
15	111380	FILTER ELEMENT– oil (Isuzu # 1-13240-232-1)	1	
16	111379	FILTER ELEMENT – fuel (Isuzu # 2-90654-910-0).....	1	
17	111466	STARTER with WIRING SHIELD	1	
18	111399	ALTERNATOR – Isuzu engine (Isuzu # 2-90123-900-0)	1	
19	112826	BELT – alternator/fan (Isuzu # 8-97232-252-0) (matched pair).....	1	
21	111621	SPACER – fan mounting (Isuzu # 1-13642-045-1)	1	
22	111777	GASKET – exhaust	1	
A	50186	NUT – lock, flange, 1/2 NC distorted thread		
B	21471	BOLT – round head, square neck, 1/2 NC x 1-1/4 inch		
C	136004	NUT – hex, M10 x 1.25 pitch		
D	21565	BOLT – hex head, 1/2 NC x 1-3/4 inch		
E	21491	BOLT – hex head, 1/2 NC x 1-1/4 inch		
F	7674	NUT – jam, 3/4 NC		
G	42592	WASHER – flat		
H	21760	BOLT – 1/2 NC x 2-1/2 inch		
J	18591	NUT – hex, 1/2 NC		
K	18638	WASHER – lock		
L	136003	BOLT – hex head, M10 x 1.25 pitch, 25 mm long		
M	30632	WASHER – lock, M10		
N	21880	BOLT – 1/2 NC x 2-3/4 inch		
P	1045	WASHER – flat		
Q	30716	WASHER – lock, M8		
R	103523	BOLT – socket head, M8 x 1-1/4 inch		
S	111405	BOLT – fan mounting (Isuzu # 8-94150-045-1)		
T	111577	WASHER – flat, fan mounting (Isuzu # 1-09985-191-0)		
U	111620	STUD – engine mount (Isuzu # 1-09300-055-0)		
V	136012	BOLT – hex head, M10 x 1.25 x 30 mm long		

ALTERNATOR MOUNTING- CUMMINS ENGINE TRACTOR UNITS



SERIAL NUMBER 162249 & BELOW

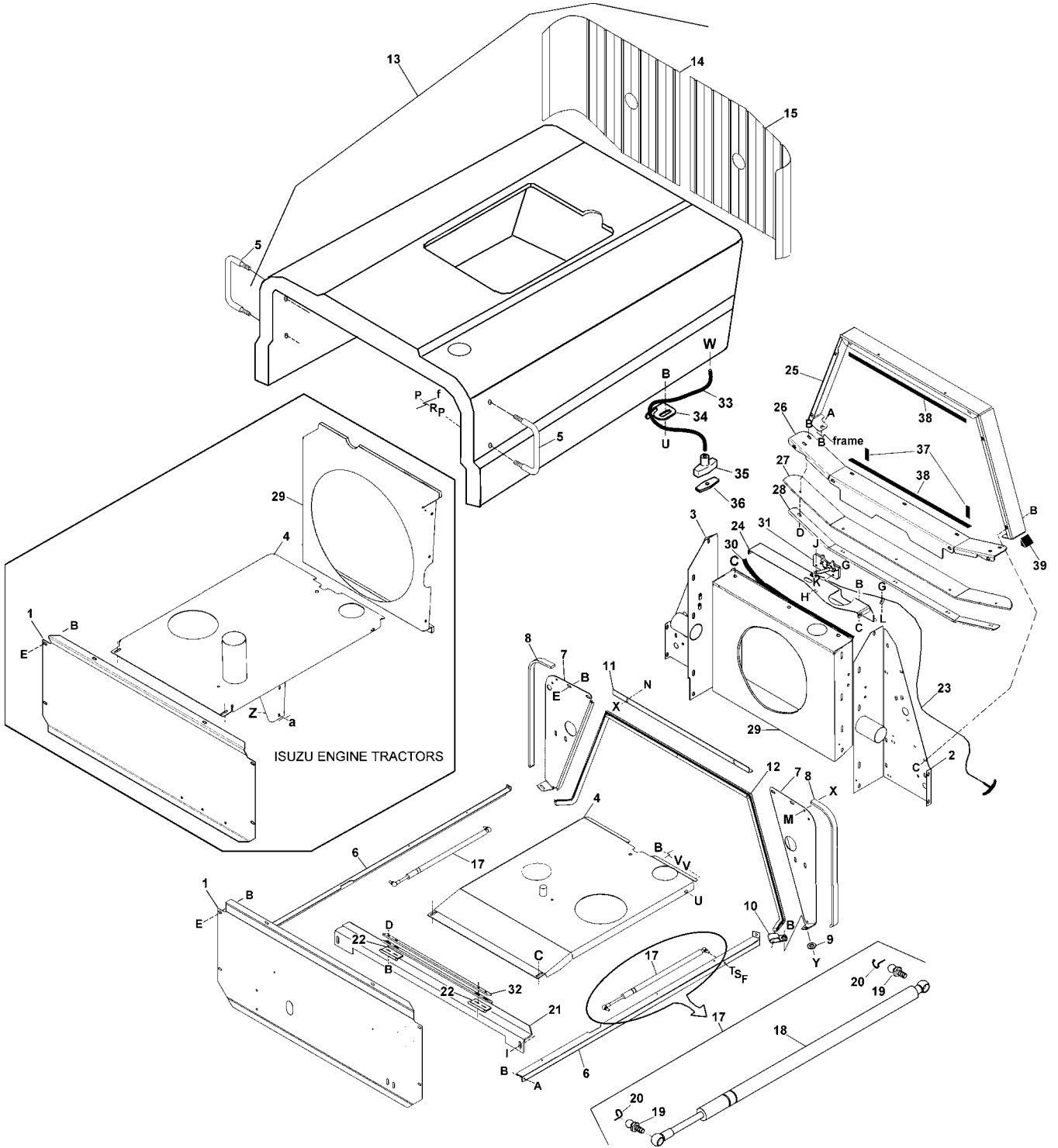


SERIAL NUMBER 162250 & ABOVE

ALTERNATOR MOUNTING– CUMMINS ENGINE TRACTOR UNITS

REF	PART NUMBER	DESCRIPTION	QTY	SERIAL NUMBER
1	REF	SUPPORT - alternator, Cummins # 3923387.....	1	-162249
2	REF	BOLT - hex head, M8 x 35 mm Cummins # 3900631	3	-162249
3	REF	SPACER - mounting, Cummins # 3910715.....	1	-162249
4	112114	BOLT – hex head, M10 x 95 mm.....	1	-162249
5	112116	BRACE – alternator, Cummins # 3934941	1	-162249
6	30660	BOLT - hex head, M8 x 45 mm.....	1	-162249
7	30627	BOLT - hex head, M10 x 25 mm.....	1	-162249
8	45640	ALTERNATOR – Delco-Remy # 19009959.....	1	-162249
9	112115	PULLEY - alternator, Cummins # 3918275	1	-162249
A	18598	WASHER – flat, 13/16 inch ID		
10	REF	ALTERNATOR – Cummins # 3935528 (new)	1	162250-171465
		Delco-Remy # 19020380 (new).....	1	162250-171465
		Cummins # 3675228 (reconditioned)	1	162250-e171465
		Cummins # 3972733 (new)	1	171466-

ENGINE SUPERSTRUCTURE



ENGINE SUPERSTRUCTURE

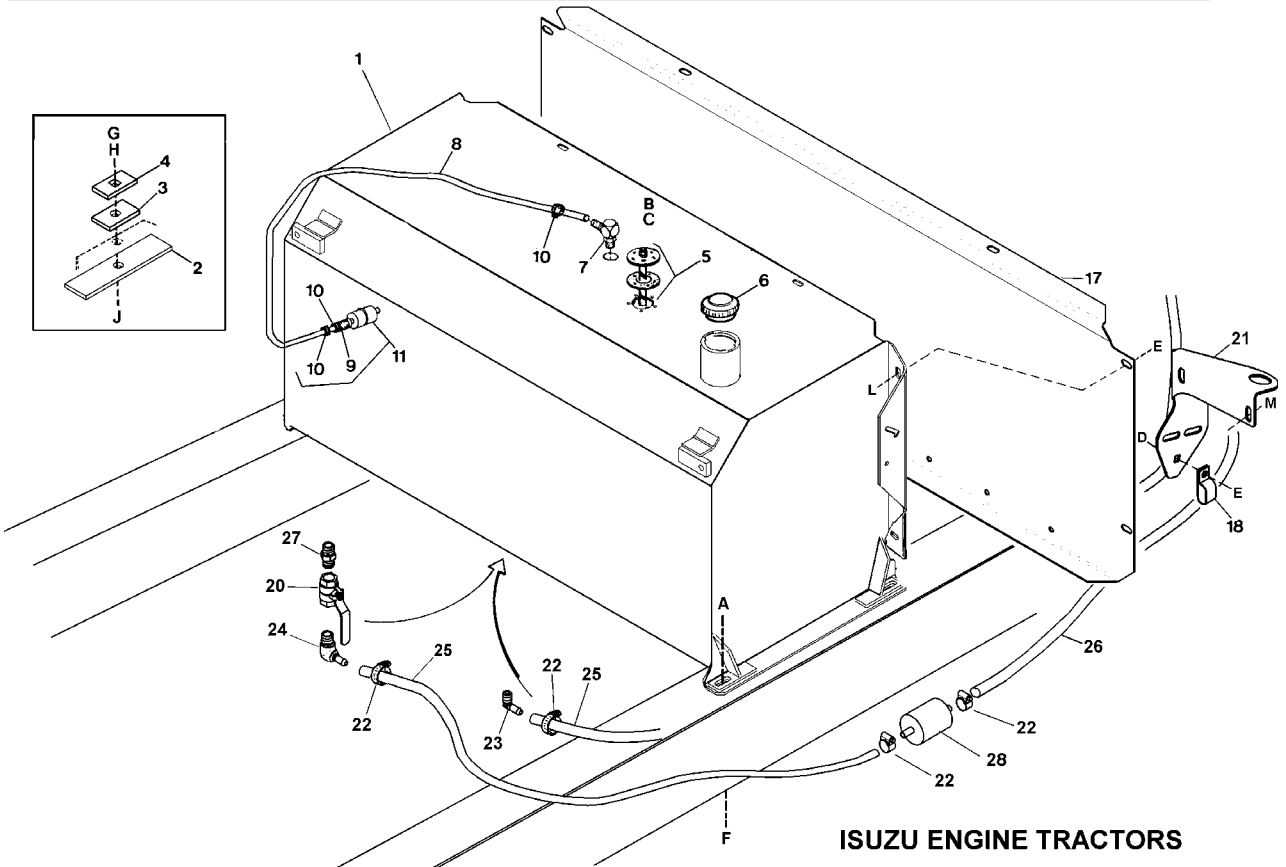
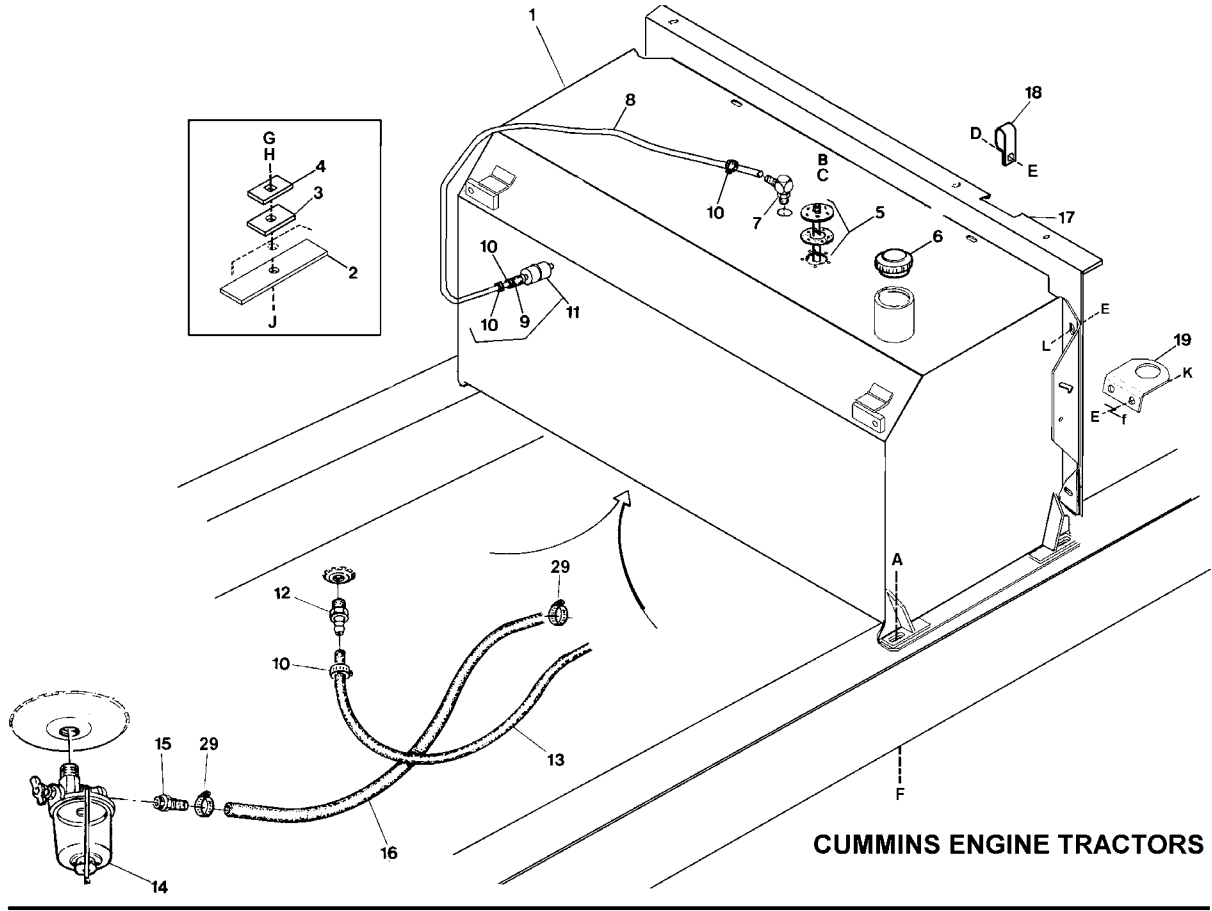
REF	PART NUMBER	DESCRIPTION	QTY	SERIAL NUMBER
1	112205	▲●* SHIELD - heat	1	
	111356	■ SHIELD - heat.....	1	
2	112073	SUPPORT - radiator, left - with decal	1	
3	112074	SUPPORT - radiator, right.....	1	
4	112099	● COVER - engine, turbocharged diesel	1	
	112242	▲ COVER - engine, naturally aspirated diesel	1	
	111353	■ COVER - engine, turbocharged diesel.....	1	
	162024	* COVER - engine, turbocharged diesel.....	1	
5	112132	HANDLE - hood opening	2	
6	112134	ANGLE - hood rail, L/H	1	
	112135	ANGLE - hood rail, R/H.....	1	
7	112078	ANGLE - hood rail, L/H closing	1	
	112077	ANGLE - hood rail, R/H closing	1	
8	112180	SEAL - closing angles.....	2	
9	112220	WASHER - steel/rubber, 3/8	2	
10	43848	CLAMP	2	
11	112187	ANGLE - upper hood, closing	1	
12	112188	SEAL - hood closing	1	
13	111445	HOOD & SCREEN ASSEMBLY - includes screens (items 14 & 15), (was 111120).....	1	
14	112053	SCREEN - R/H grill	1	
15	112054	SCREEN - L/H grill.....	1	
17	112219	SPRING - gas, includes items 18-20	2	
18	112216	SPRING - compression.....	2	
19	112217	BALL - stud	4	
20	112218	CLIP - ball stud	4	
21	112108	SUPPORT - hinge.....	1	
22	112110	HINGE	2	
23	112062	CABLE - hood release	1	
24	112063	SUPPORT - top radiator	1	
25	112147	SUPPORT - hood seal.....	1	
26	111378	PAN - hood bottom (was 112066).....	1	
27	112067	SEAL - lower hood	1	
28	112068	STRAP - clamp, hood seal.....	1	
29	112247	▲ SHROUD - fan, with seals, item 30, (N.A. only)	1	
	112246	● SHROUD - fan, with seals item 30, (Turbo only)(may be subbed to 163563).....	1	
	112449	■ SHROUD - fan, with seals item 30, turbo	1	
	163563	* SHROUD - fan, with seals item 30, turbo.....	1	
30	42269	SEAL - foam, fan shroud.....	2	
31	42688	LATCH - hood	1	
32	112265	SUPPORT - hinge.....	1	
33	112524	ROPE - nylon, XX52 & XX52i Models only	1	
34	112517	RETAINER - rope storage, XX52 & XX52i Models only	1	
35	112523	HANDLE - rubber, XX52 & XX52i Models only	1	
36	112508	INSERT - handle, XX52 & XX52i Models only	1	
37	42266	SEAL - foam, rad support, vertical.....	2	
38	42274	SEAL - foam, rad support, horizontal.....	2	
39	112657	SEAL - foam, rad support, corner	2	

~ f REF Indicates where hardware passes through frame or support member.

A	21863	BOLT - round hd, sq. nk, 3/8 NC x 3/4"	P	50225	NUT - flange lock, 5/8 - 11 NC
B	30228	NUT - lock, smth flng, 3/8 NC dist. thd.	R	18600	WASHER - flat, 5/8 inch ID
C	21821	BOLT - flange head, 3/8 NC x 3/4"	S	18636	WASHER - lock, 5/16 inch ID
D	19965	BOLT - round hd, sq nk, 3/8 NC x 1"	T	18597	WASHER - flat, 11/32 inch ID
E	21472	BOLT - round hd, sq. nk, 3/8 NC x 3/4"	U	21975	BOLT - flange head, 3/8 NC x 1"
F	18589	NUT - hex, 5/16 NC	V	18598	WASHER - flat, 3/8 inch ID
G	21455	NUT - serrated flange, 1/4 NC	W ●■	18596	WASHER - lock, 9/32 inch ID
H	21483	BOLT - rnd hd, sq. nk, 1/4 NC x 1-1/2"	X	30280	NUT - lock, smth flng, 5/16 NC dist thd.
I	105066	BOLT - hex head, 1/2 NC x 3/4 inch			
J	111088	BOLT - M6 x 3/4 inch	Y	21264	BOLT - hex hd, 3/8 NC x 1-1/4"
K	112222	NUT - nylon insert, M6 x 1 inch	Z	21282	BOLT - flg hd, 5/16 NC x 1 inch
L	21476	BOLT - round hd, sq. nk, 1/4 NC x 3/4"	a	30280	NUT - flange, 5/16 NC
M	21558	BOLT - hex head, 5/16 NC x 3/4"			
N	30821	BOLT - hex head, 5/16 NC x 3-1/2"			

- ▲ - MacDon 9250, Westward 9250, Prairie Star 4940, Premier 2940, Harvest Pro 8140
- - MacDon 9350/9352, Westward 9350/9352, Prairie Star 4950/4952, Premier 2950/2952, Harvest Pro 8150/8152
- - MacDon 9352i, Westward 9352i, Prairie Star 4952i, Premier 2952i, Harvest Pro 8152i
- * - MacDon 9352c, Westward 9352c, Prairie Star 4952c, Premier 2952c, Harvest Pro 8152c

FUEL SYSTEM

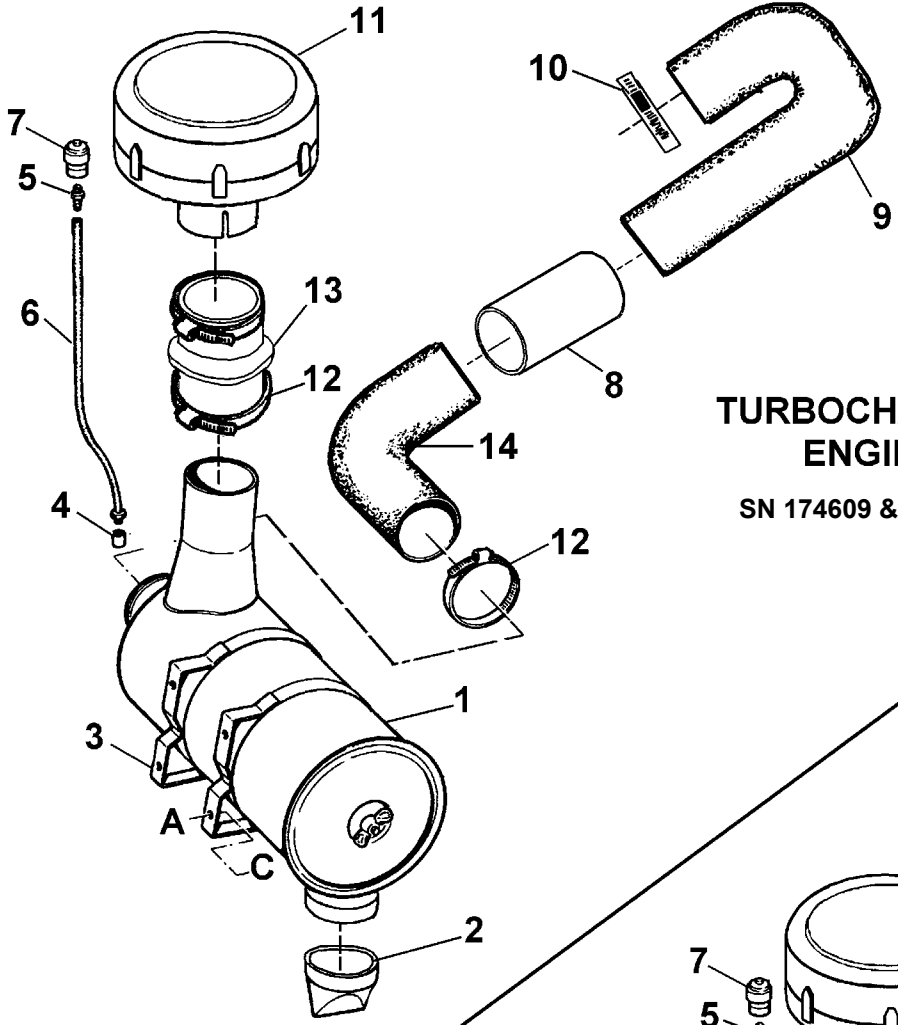


FUEL SYSTEM

REF	PART NUMBER	DESCRIPTION	QTY	SERIAL NUMBER
1	112044	TANK - fuel	1	
2	112095	PAD – rubber, R/H bottom mount.....	1	
3	112153	PAD – rubber, R/H top mount.....	1	
4	112154	PLATE – R/H mount	1	
5	112142	SENDER - fuel, with gasket.....	1	
	50014	GASKET - fuel sender	1	
6	112145	CAP - fuel tank	1	
7	112092	FITTING – barbed.....	1	
8	112215	HOSE - tank vent.....	1	
9	44304	HOSE - to filter	1	
10	30500	CLAMP - hose	3	
11	21052	FILTER - fuel vent line, incl. hose (item 9) and two clamps (item 10)	1	
12	30624	FITTING - barbed, 1/4 NPT x 3/16 hose (N.A. only).....	1	-162249
	30937	FITTING - barbed, 1/4 NPT x 5/16 hose.....	1	see note 1
13	111010	HOSE - from engine return line	1	see note 1
	45651	HOSE – from engine return line (N.A. only)	1	-162249
14	30419	BOWL – sediment, with screen	1	
15	30426	FITTING - barbed, 1/8 NPT x 5/16 hose.....	1	-162249
	21992	FITTING – barbed, 1/8 NPT x 3/8 hose.....	1	162250-
16	42014	HOSE - to engine fuel pump.....	1	-162249
	111785	HOSE – to engine fuel pump.....	1	162250-
17	REF	PANEL - see "Engine Superstructure"	1	
18	135224	HOLDER – hose (was 39272)	1	
19	112206	SUPPORT – tank breather	1	
20	111440	VALVE – ball, fuel shut off (XX52i only)	1	
21	111376	SUPPORT – throttle (XX52i only).....	1	
22	30094	CLAMP – hose (XX52i only).....	6	
23	111442	FITTING – barbed, 1/4 NPT x 3/8 hose (XX52i only)	1	
24	50069	FITTING – barbed, 3/8 NPT x 3/8 hose (XX52i only)	1	
25	111393	HOSE – from engine return line (XX52i only).....	2	
26	111613	HOSE – suction, to engine fuel pump (XX52i only), (was 111392).....	1	
27	21844	FITTING – nipple, 3/8 NPT (XX52i only)	1	
28	111608	FILTER – fuel, in-line (install in suction line)	1	
29	30500	CLAMP – hose	2	-162249
	30094	CLAMP – hose	2	162250-
A	21469	BOLT – round head, square neck, 1/2 NC x 1-1/2 inch		
B	18577	SCREW - machine, #10 NC x 3/4 inch		
C	18634	WASHER - lock, #10, 3/16 inch ID		
D	21863	BOLT – round head, short square neck, 3/8 NC x 3/4 inch		
E	30228	NUT – lock, smooth flange, 3/8 NC distorted thread - naturally aspirated engine only		
F	50186	NUT – lock, smooth flange, 1/2 NC distorted thread		
G	30027	BOLT – round head, square neck, 1/2 NC x 2-1/4 inch		
H	18599	WASHER – flat, 17/32 inch ID		
J	18591	NUT – hex, 1/2 NC		
K	21821	BOLT – hex head, flange, 3/8 NC x 3/4 inch		
L	21472	BOLT – round head, square neck, 3/8 NC x 3/4 inch		
M	101898	SCREW – self tapping, 3/8 NC x 5/8 inch		

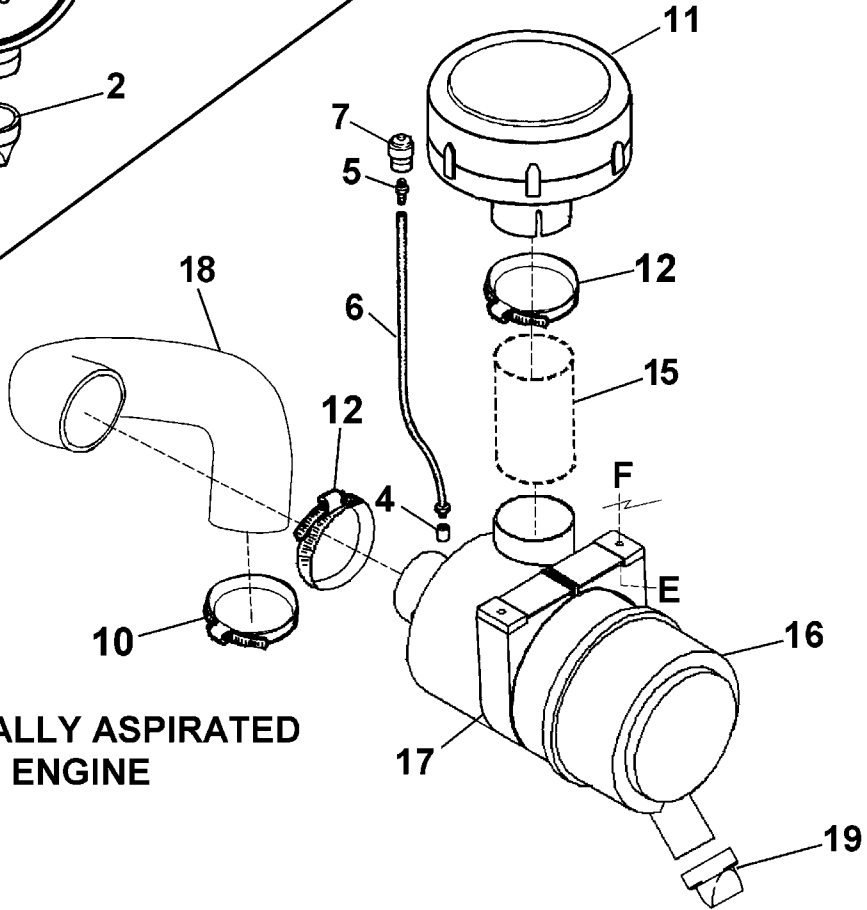
NOTES: 1.) Item 12 & 13 – used on all XX50/XX52i tractors serial numbers.
 - used on XX40 tractors serial number 162250 & up.

ENGINE AIR INTAKE – CUMMINS ENGINE TRACTOR UNITS



NOTE: FOR ENGINE AIR INTAKE FOR CUMMINS TURBO UNITS WITH SN 174610 AND ABOVE, SEE PAGE 62/63

TURBOCHARGED ENGINE
SN 174609 & BELOW

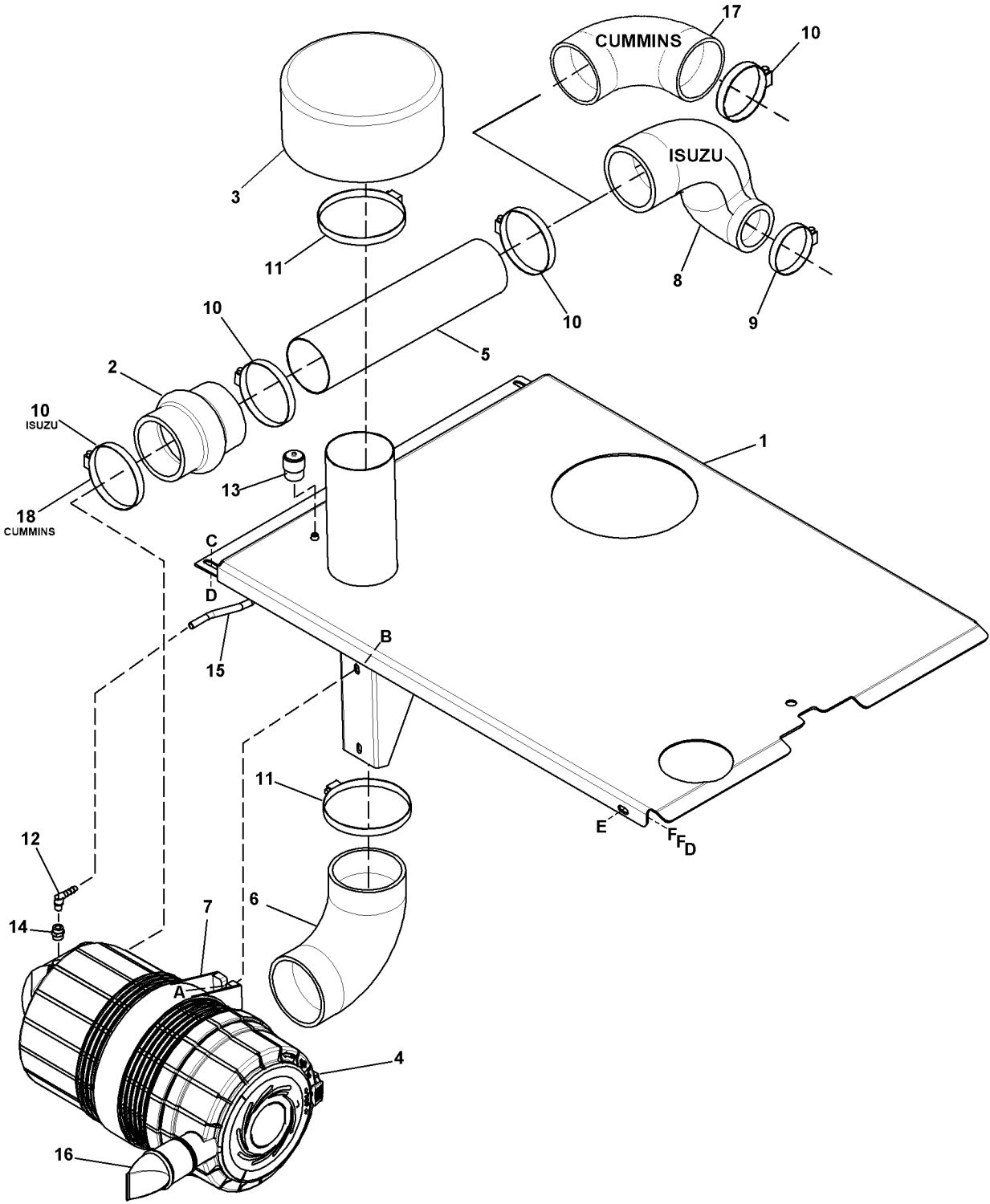


NATURALLY ASPIRATED ENGINE

ENGINE AIR INTAKE – CUMMINS ENGINE TRACTOR UNITS

REF	PART NUMBER	DESCRIPTION	QTY NA / TURBO	SERIAL NUMBER
AIR CLEANER ELEMENTS				
	111134	ELEMENT – filter, primary (outer), Turbo Engine.....	1	-174609
	111135	ELEMENT – filter, safety (inner), Turbo Engine.....	1	-174609
	111060	ELEMENT - filter, primary (outer), Nat. Asp. Engine	1	
	111061	ELEMENT - filter, safety (inner), Nat. Asp. Engine.....	1	
1	111130	CLEANER – engine air, with filter elements, includes item 2, Turbo Engine.....	1	-174609
	20424	NUT - wing.....	2	
2	111255	VALVE – vacuator, Turbo Engine.....	1	-174609
3	112120	BAND - mounting, with hardware, Turbo Engine.....	2	-174609
4	30007	CONNECTOR - 1/8 NPT	1	
5	30426	FITTING - barbed, 1/8 NPT x 5/16" ID hose.....	2	
6	111077	HOSE - to service indicator	1	
7	30005	INDICATOR - service	1	
8	112228	TUBE – pre-cleaner, Turbo Engine	1	-174609
9	112131	HOSE - air intake to engine, Turbo Engine	1	-174609
10	50073	CLAMP – hose	1 / 2	
11	112121	PRE-CLEANER - with clamp.....	1	
12	112230	CLAMP - hose	3 / 4	
13	112231	HOSE – hump, Turbo Engine.....	1	-174609
14	112227	HOSE ELBOW - 90°, reducer, engine air intake, Turbo Engine.....	1	-174609
15	REF	COVER – engine, Nat. Asp., See "Engine Superstructure", page 57.....	1	
16	111051	CLEANER - engine air, with filter elements, includes item 19, Nat. Asp. Engine....	1	
17	111052	BAND - mounting, with hardware, Nat. Asp. Engine	1	
18	112261	HOSE - air intake to engine, Nat. Asp. Engine.....	1	
19	111063	VALVE – vacuator, Nat. Asp. Engine	1	
A	21452	NUT - serrated flange, 3/8 NC		
B	30228	NUT - lock, smooth flange, 3/8 NC distorted thread		
C	21821	BOLT - flange head, 3/8 NC x 3/4 inch		
D	18598	WASHER – flat, 3/8 inch ID		
E	21282	BOLT – round head, square neck, 5/16 NC x 1 inch		
F	30280	NUT – flange, 5/16 NC, distorted thread		

ENGINE AIR INTAKE – ISUZU ENGINE TRACTOR UNITS & CUMMINS TRACTOR UNITS SN 174610 and ABOVE

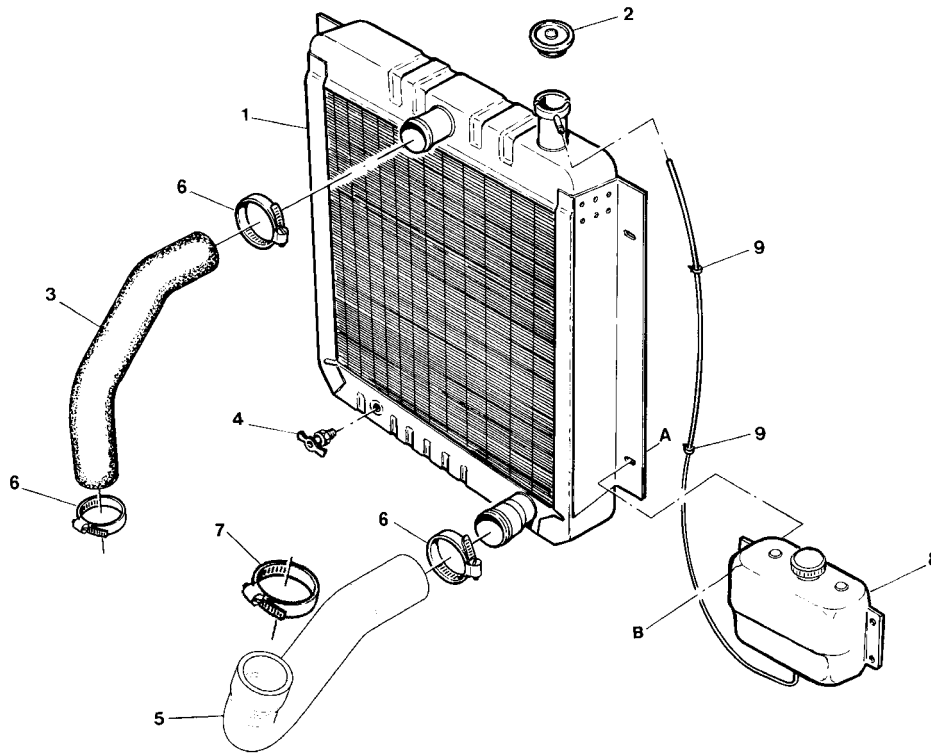


**ENGINE AIR INTAKE – ISUZU ENGINE TRACTOR UNITS
& CUMMINS TRACTOR UNITS SN 174610 and ABOVE**

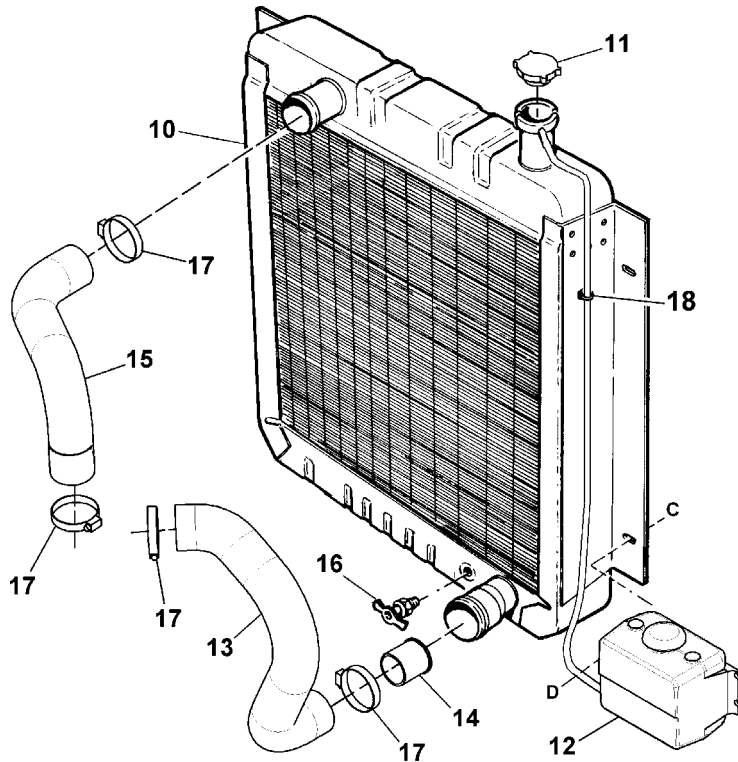
REF	PART	DESCRIPTION	QTY	SERIAL
AIR CLEANER ELEMENTS:				
	112687	ELEMENT – filter, primary (outer)	1	
	112688	ELEMENT – filter, safety (inner)	1	
NUMBER		TURBO NUMBER		
1	REF	COVER – engine, see “Engine Superstructure”	1	
2	112485	ADAPTER – straight hump, ISUZU	1	
	162029	ADAPTER – reducer hump, CUMMINS	1	
3	112121	CLEANER - pipe.....	1	
4	112476	CLEANER – engine air, includes filter elements and item 16	1	
5	112484	TUBE – air intake, ISUZU.....	1	
	162028	TUBE – air intake, CUMMINS	1	
6	112486	ELBOW – air intake, ISUZU	1	
	111717	ELBOW – air intake, CUMMINS	1	
7	112481	BAND – air intake support	1	
8	111357	HOSE – air intake, moulded	1	
9	21913	CLAMP - hose	1	
10	135270	CLAMP – hose, ISUZU.....	3	
	50073	CLAMP – hose, CUMMINS	3	
11	112230	CLAMP - hose	2	
12	50070	FITTING – elbow, barbed, 90°	2	
13	30005	INDICATOR - service	1	
14	30007	FITTING – hydraulic, female union.....	1	
15	111077	HOSE – indicator, ISUZU	1	
	162030	HOSE – indicator, CUMMINS	1	
16	112825	VALVE – vacuator	1	
17	112177	HOSE – air intake, CUMMINS	1	
18	135270	CLAMP HOSE, CUMMINS	1	
A	21282	BOLT - round head, square neck, 5/16 NC x 1 inch		
B	30280	NUT – flange, 5/16 NC		
C	21281	BOLT - flange head, 3/8 NC x 3/4 inch		
D	30228	NUT – lock, smooth flange, 3/8 NC, distorted thread		
E	21975	BOLT - flange head, 3/8 NC x 1 inch		
F	18598	WASHER – flat, 13/32 inch ID		

ENGINE COOLING

CUMMINS ENGINE TRACTOR UNITS



ISUZU ENGINE TRACTOR UNITS



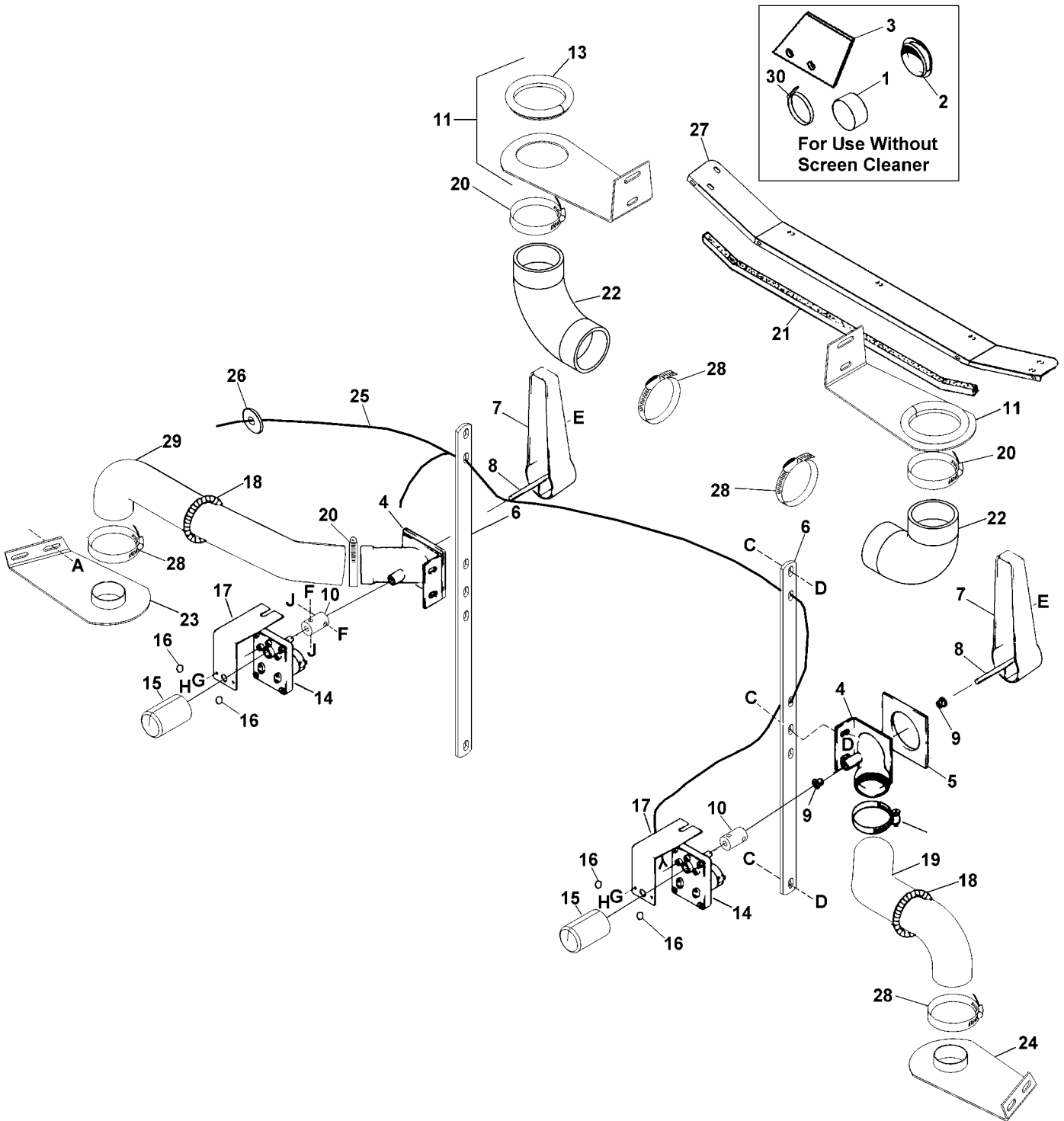
ENGINE COOLING

REF	PART NUMBER	DESCRIPTION	QTY	SERIAL NUMBER
<u>CUMMINS ENGINE TRACTOR UNITS:</u>				
1	112030	RADIATOR, all serial #'s for NA + serial # 174609 & below for turbo	1	
	111350	RADIATOR- turbo only	1	174610-
2	24210	CAP - radiator	1	
3	25916	HOSE - upper rad, all serial #'s for NA + serial # 174609 & below for turbo	1	
	163247	HOSE - upper rad - turbo only	1	174610-
4	20023	VALVE - drain	1	
5	25915	HOSE - lower rad	1	-162249
	111631	HOSE - lower rad	1	162250-
6	17959	CLAMP - hose, all serial #'s for NA + serial # 174609 & below for turbo	3	
	21995	CLAMP - turbo only	3	174610-
7	21913	CLAMP - hose	1	-162249
	21995	CLAMP - turbo only	1	162250-
8	42610	TANK - coolant recovery, with cap and hose	1	
	109871	CAP - vented, for coolant recovery tank	1	
9	30542	CLIP - hose	2	
A	21821	BOLT - flange head, 3/8 NC x 3/4 inch		
B	30228	NUT - lock, smooth flange, 3/8 NC distorted thread		

ISUZU ENGINE TRACTOR UNITS:

10	111350	RADIATOR	1	
11	24210	CAP - radiator	1	
12	42610	TANK - coolant recovery, with cap and hose	1	
	109871	CAP - vented, for coolant recovery tank	1	
13	111365	HOSE - lower radiator	1	
14	111377	HOSE - radiator adapter	1	
15	111390	HOSE - top radiator	1	
16	20023	FITTING - drain cock	1	
17	21995	CLAMP - hose	4	
18	30542	CLIP - hose	1	
C	21821	BOLT - flange head, 3/8 NC x 3/4 inch		
D	30228	NUT - lock, smooth flange, 3/8 NC distorted thread		

AIR INTAKE SCREEN CLEANER

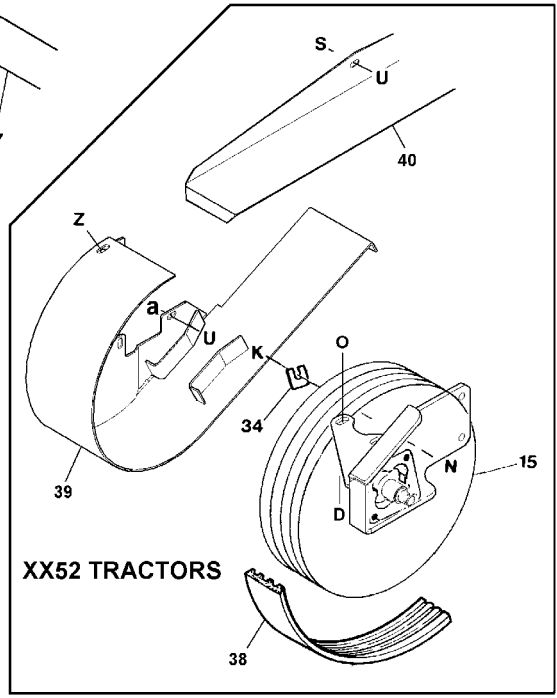
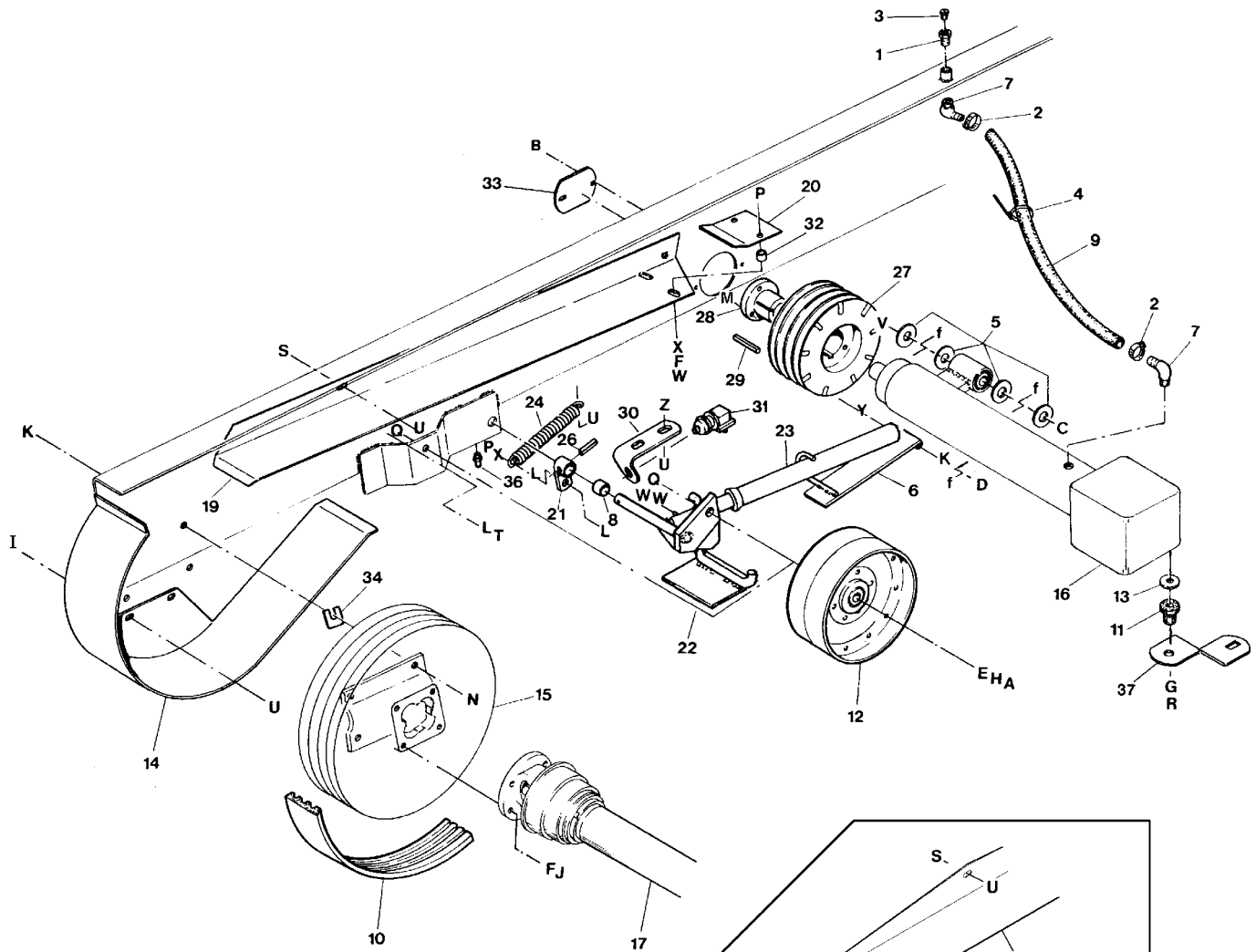


AIR INTAKE SCREEN CLEANER

REF	PART NUMBER	DESCRIPTION	QTY	SERIAL NUMBER
1	112254	CAP - plastic.....	2	
2	50093	PLUG - plastic (for screen holes), Standard Air Intake Screen only.....	2	
3	112251	PLATE – cover, see note (1).....	2	
4	45430	HOUSING - duct, includes item 5.....	2	
5	45436	SEAL - foam, housing to screen.....	2	
6	112055	BAR - mounting.....	2	
7	45883	DUCT – plastic.....	2	
8	45592	PIN – duct.....	2	
9	45439	BUSHING - plastic.....	4	
10	112255	COUPLING.....	2	
11	112256	CLEANER - seal.....	2	
13	112185	SEAL – cleaner.....	2	
14	42369	MOTOR - electric.....	2	
15	112149	CAP – vinyl.....	2	
16	5754	O-ring.....	4	
17	45448	STOP - motor.....	2	
18	45427	MOULDING - edge.....	2	
19	112176	HOSE – air, L/H.....	1	
20	21995	CLAMP - hose.....	4	
21	42274	SEAL - sponge.....	1	
22	112177	HOSE – elbow.....	2	
23	112160	SUPPORT – outer cleaner, R/H.....	1	
24	112161	SUPPORT – outer cleaner, L/H.....	1	
25	45941	HARNESS – screen cleaner.....	1	
26	42415	GROMMET – harness.....	1	
27	REF	PAN – hood bottom, See “Engine Superstructure”, page 57.....	1	
28	50073	CLAMP – hose.....	2	
29	112175	HOSE – air, R/H.....	1	
30	30753	FASTENER – plastic tie.....	2	
A	30693	BOLT – flange, hex head, 3/8 NC		
B	30228	NUT - lock, smooth flange, 3/8 NC distorted thread		
C	21863	BOLT - round head, square neck, 3/8 NC x 3/4 inch		
D	21452	NUT - serrated flange, 3/8 NC		
E	50124	SCREW - hex washer head, 5/16 NC x 1/2 inch, thread cutting		
F	18709	SCREW - set, Allan socket head, 3/8 NC x 5/8 inch		
G	20042	WASHER - lock, #8		
H	30955	SCREW - machine, round slotted head, #8 NC x 5/16 inch		
J	18664	NUT – jam, 3/8 NC		
~ f	REF	Indicates where hardware passes through frame member.		

NOTES: 1.) Used to plug hose routing holes

HEADER DRIVE



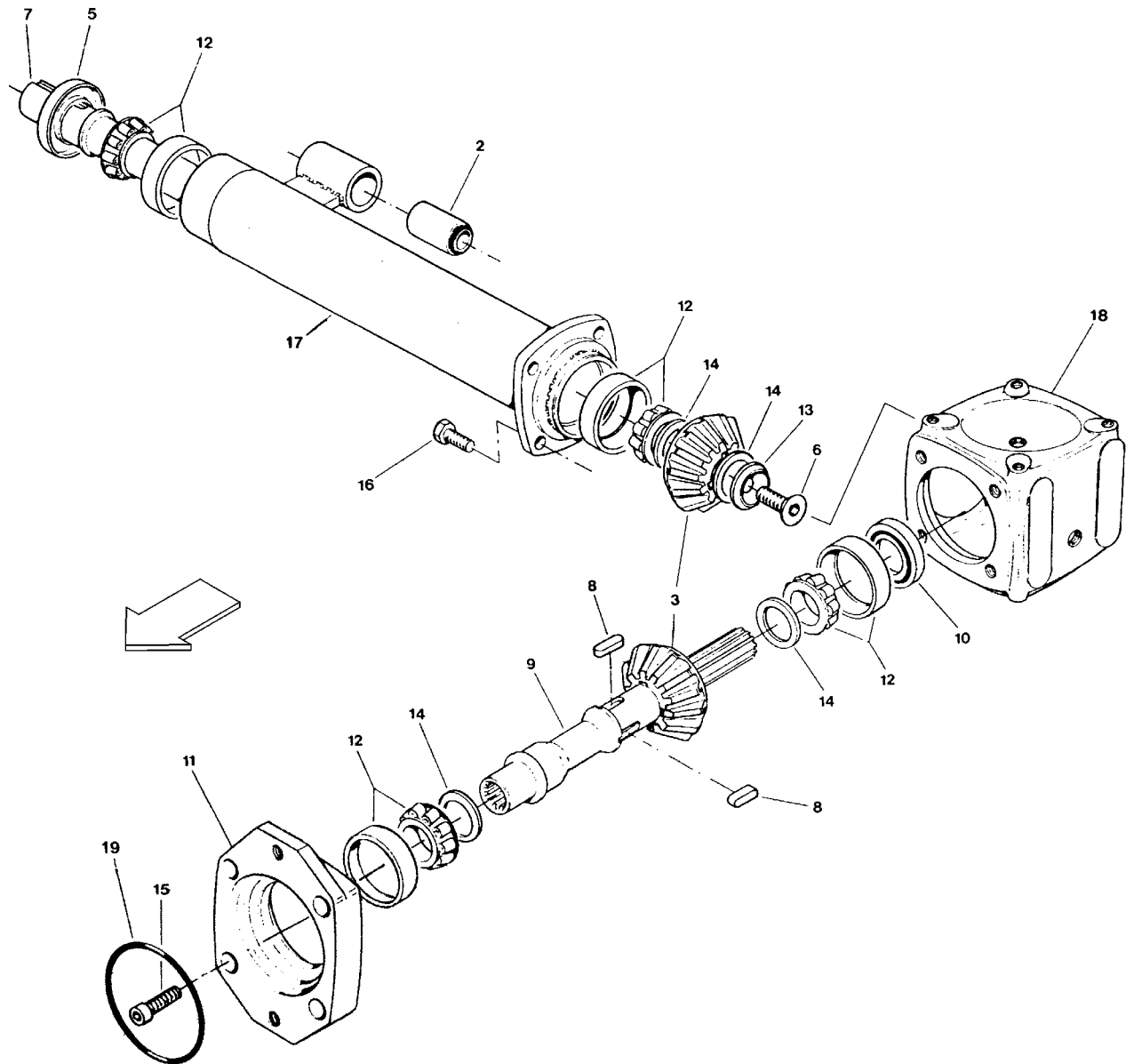
HEADER DRIVE

REF	PART NUMBER	DESCRIPTION	QTY	SERIAL NUMBER
1	21024	FITTING - reducer bushing, 3/8 NPT x 1/8 NPT	1	
2	21349	CLAMP - hose	2	
3	21425	VALVE - relief	1	
4	21763	FASTENER - plastic tie	1	
5	22072	WASHER - flat	2	
6	45230	GUIDE - belt, lower	1	
7	30938	FITTING - elbow, 90° barbed elbow, 3/8 NPT x 5/8 I.D. hose	2	
8	37551	BUSHING - plastic	2	
9	42016	HOSE - hydraulic, bevel gear box 45877 to relief valve	1	(see pg. 68, 69
	111292	HOSE - hydraulic, bevel gear box 45968 to relief valve	1	for box desc.)
10	42086	● BELT - header drive	1	
11	42099	INSULATOR - rubber	1	
12	42155	PULLEY - idler	2	
13	42592	WASHER - flat	1	
14	44231	● GUARD - front pulley, with decals	1	
15	REF	PULLEY ASSEMBLY - see "Header Drive Pulley", page 80	1	
16	REF	BEVEL GEARBOX - see page 74-77	1	
17	REF	DRIVELINE - see page 81	1	
19	45075	● GUIDE - belt, upper	1	
20	45144	RETAINER - belt	1	
21	45081	ARM - idler	1	
22	45086	PIVOT - idler	1	
23	45094	CYLINDER - header clutch, complete	1	
	45096	SHAFT - header clutch cylinder	1	
	45097	TUBE - header clutch cylinder	1	
	50041	SEAL - oil, outer (for header clutch cylinder)	1	
	50042	SEAL - oil, inner (for header clutch cylinder)	1	
	50053	RING - retaining, internal (for header clutch cylinder)	1	
	45040	RESTRICTOR - hydraulic	1	
	17006	O-RING - (for header clutch cylinder)	1	
24	9423	SPRING - extension	1	
26	50075	PIN - roll, 3/8 x 1 inch	1	
27	111281	PULLEY - driver, Turbo Diesel (was 42153)	1	
	111282	PULLEY - driver, Naturally Aspirated Diesel Engine (was 45522)	1	
28	115074	BUSHING - split taper, with outer key	1	
29	17194	KEY - 5/16 square x 2 inch	1	
30	45534	SUPPORT - switch	1	
31	109816	SWITCH - header drive belt (was 45234)	1	
32	45148	SPACER	2	
33	45262	COVER - gearbox shaft access	1	
34	44354	SHIM - header pulley alignment	A/R	
36	18671	FITTING - lube	1	
37	REF	SUPPORT - fan shield, see page 78	1	
38	45959	■ BELT - header drive	1	
39	112274	■ GUARD - front pulley, with decals	1	
40	111176	■ GUIDE - belt, upper	1	

A	18592	NUT - hex, 5/8 NC	P	21561	BOLT - hex hd, 3/8 NC x 1-1/2 inch
B	50124	SCREW - hex washer head, 5/16 x 1/2"	Q	21584	BOLT - hex hd, 5/8 NC x 2-1/2 inch
C	18666	NUT - lock, 5/8 NC dist. thread	R	21760	BOLT - hex hd, 1/2 NC x 2 1/2 inch
D	50186	NUT - lock, smth flange, 1/2 NC dist. Thd.	S	21863	BOLT - rnd hd, short sq. nk, 3/8 NC x 3/4 in
E	18600	WASHER - flat, 21/32 inch I.D.	T	30080	BOLT - hex head, 3/8 NC x 4-1/2 inch
F	18637	WASHER - lock, 3/8 inch ID	U	30228	NUT - lock, smooth flange, 3/8 NC dist.thd.
G	18638	WASHER - lock, 1/2 inch ID	V	21720	BOLT - hex head, 5/8 NC x 4-1/2 inch
H	18639	WASHER - lock, 5/8 inch ID	W	18590	NUT - hex, 3/8 NC
I	21472	BOLT - rnd hd, sq. nk, 3/8 NC x 3/4"	X	18598	WASHER - flat, 13/32 inch I.D.
J	20077	BOLT - hex head, 3/8 NC x 1 inch	Y	21589	BOLT - hex head, 1/2 NC x 4 inch
K	21383	NUT - serrated flange, 1/2 NC	Z	21821	BOLT - flange head, 3/8 NC x 3/4 inch
L	21452	NUT - serrated flange, 3/8 NC	a	19965	BOLT - round hd, sq. neck, 3/8 NC x 1"
M	21526	BOLT - hex hd, 5/16 NC x 1-1/4 in.	~ f	REF	Indicates where hdw passes through frame member.
N	21491	BOLT - hex hd, 1/2 NC x 1-1/4 inch			
O	21868	BOLT - rnd hd, sq. nk, 1/2 NC x 1 in.			

- - MacDon 9250/9350, Westward 9250/9350, Prairie Star 4940/4950, Premier 2940/2950, Harvest Pro 8140/8150
- - MacDon 9352/9352i/9352c, Westward 9352/9352i/9352c, Prairie Star 4952/4952i/4952c, Premier 2952/2952i/2952c, Harvest Pro 8152/8152i/8152c

Header Drive - BEVEL GEARBOX Prior to 2002 Production *



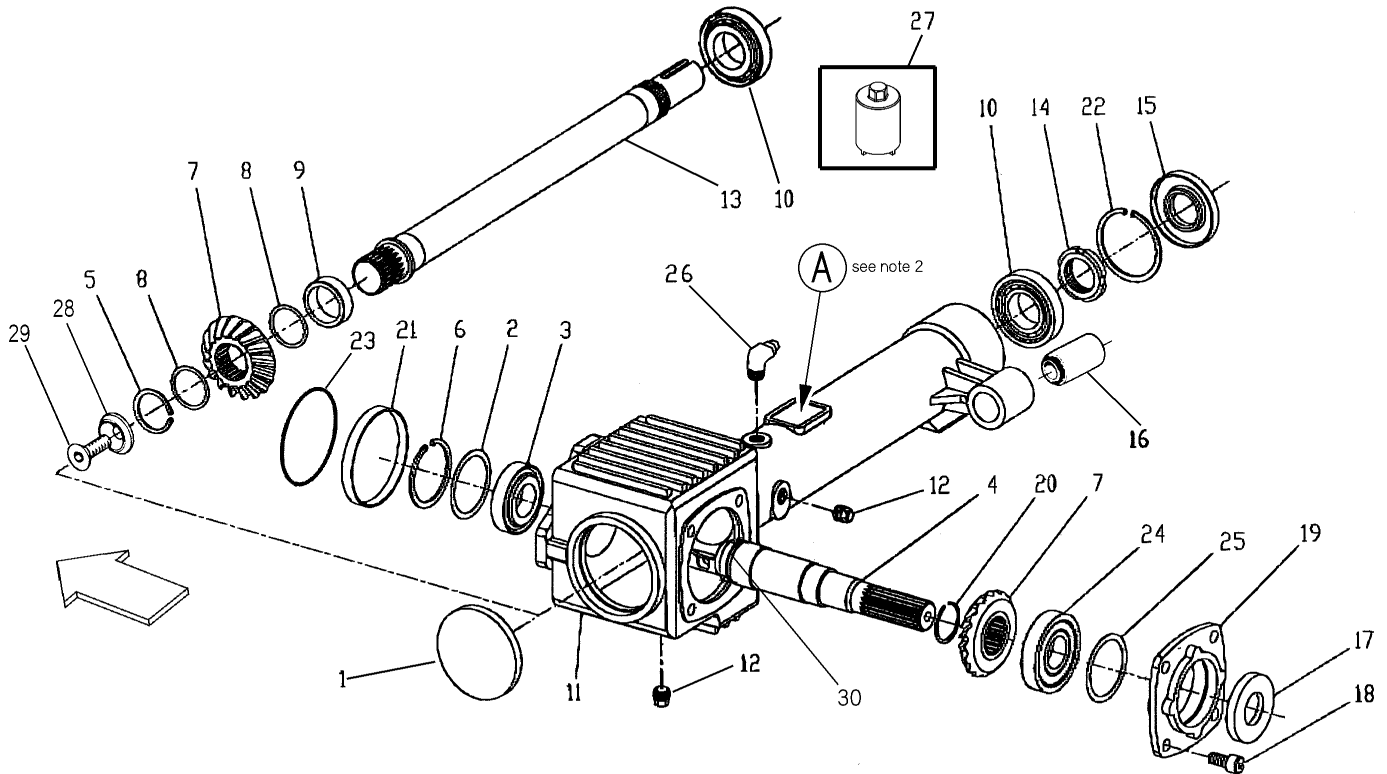
* **NOTE:** The change-over from this gearbox to the one shown on page 73 occurred in stages over a period extending from the end of 2001 Production through early 2002 Production. For machines built in this period, identify gearbox and order service parts for the appropriate unit. This unit has a bolt-on extension tube (item 17) while the newer gearbox has a one-piece cast housing with cooling fins.

The newer box (**167001**) plus pulley (item 27 on page 69) replaces the prior one (45877) as a complete unit only. See note regarding machining of existing pulley on next page.

**Header Drive - BEVEL GEARBOX
Prior to 2002 Production ***

REF	PART NUMBER	DESCRIPTION	QTY	SERIAL NUMBER
*	45877	DRIVE - bevel gearbox, complete - includes items 2 to 19	1	see NOTE
2	13626	BUSHING - rubber	1	
3	42160	GEAR - set	1	
5	45519	SEAL - output, extension end	1	
6	42162	SCREW - special, M14 x 45 mm	1	
7	42159	SHAFT - output	1	
8	42161	KEY	4	
9	42158	SHAFT - input	1	
10	45518	SEAL - input	1	
11	42166	FLANGE - bearing	1	
12	50091	BEARING - tapered roller, cup and cone	4	
13	42167	WASHER - blank	1	
14	42168	SHIM KIT	4	
15	50154	SCREW - hex socket head, M12 x 30 mm	4	
16	50155	BOLT - hex head, M12 x 25 mm	4	
17	45945	TUBE - extension	1	
18	42169	HOUSING	1	
19	42775	O-RING - gearbox to tandem pump	1	

Header Drive - BEVEL GEARBOX: 2002 Production and up *



* **NOTE:** The change-over to this gearbox from the one shown on page 71 occurred in stages over a period extending from the end of 2001 Production through early 2002 Production. For machines built in this period, identify gearbox and order service parts for the appropriate unit. This unit has a one-piece cast housing with cooling fins while the prior gearbox has a bolt-on extension tube for the output shaft.

NOTE: The newer box (167001) plus pulley (item 27 on page 69) replaces the prior one (45877) as a complete unit only. An alternative to purchasing a new pulley (item 27 on page 69) is to machine your existing pulley to a larger bore. Note that a machine lathe is required to ensure concentricity and balance. Severe vibration problems could result if pulley is machined improperly. For more information see MD Service Bulletin 0302.

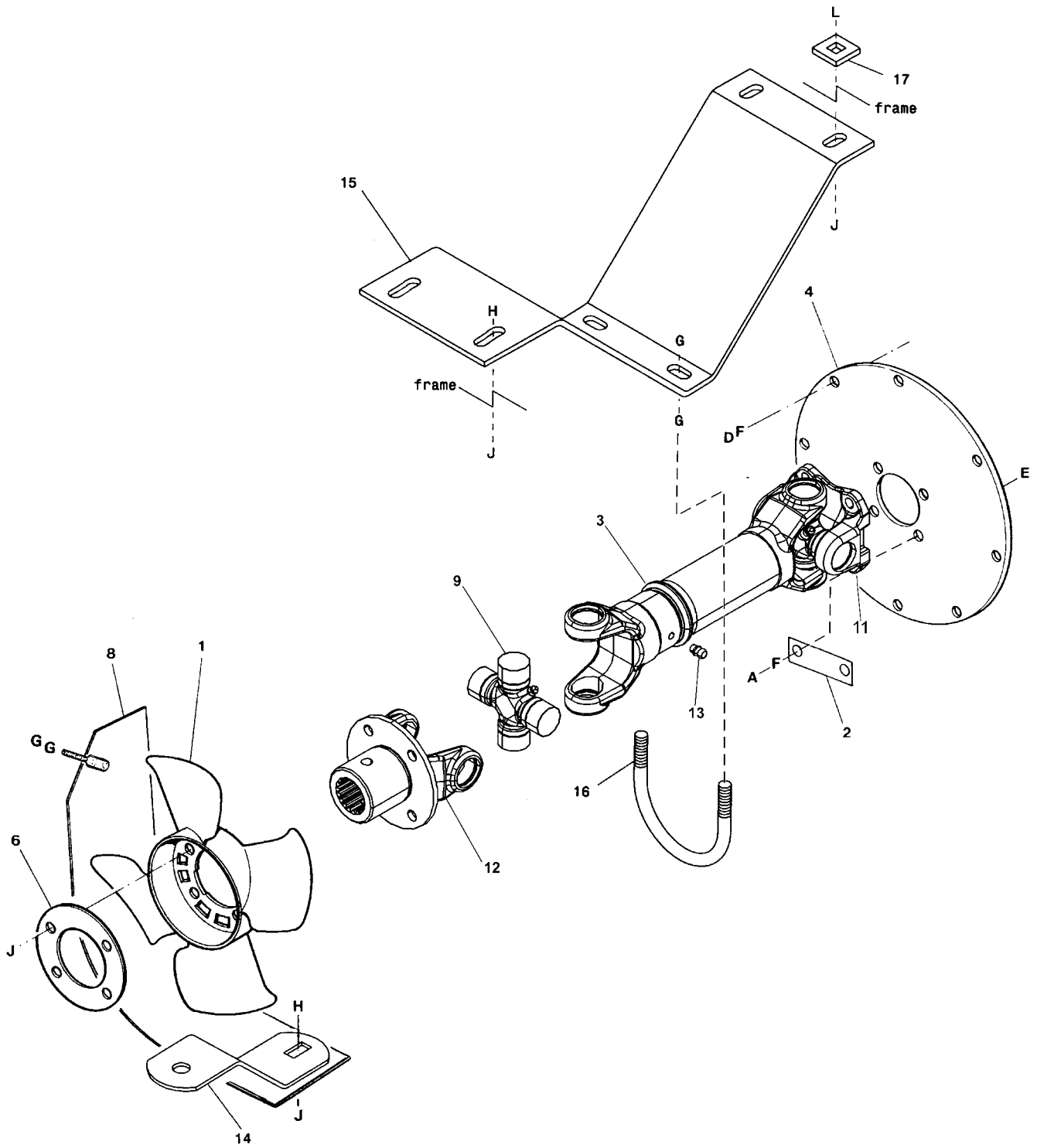
Header Drive - BEVEL GEARBOX: 2002 Production and up *

REF	PART NUMBER	DESCRIPTION	Version 2, 3, 4 Qty's (See Note 3)		
			V2	V3	V4
	167001	DRIVE - bevel gearbox, complete - includes items 1 to 25, see note 3			1
	111958	DRIVE - bevel gearbox, complete - includes items 1 to 25, see note 3		1	
	45968	DRIVE - bevel gearbox, complete - includes items 1 to 25, see note 3	1		
1	111284	CAP – housing.....	1	1	1
2	111820	SHIM KIT – base size 72 mm O.D, input shaft (qty. 2 for V2 box).....	1	1	1
3	50091	BEARING – tapered roller, cup & cone (input shaft).....	2	1	
	167006	BEARING – tapered roller, cup & cone (input shaft)			1
4	167009	SHAFT – input, includes item 30 (see note 2)	1	1	1
5	111298	RING – retaining, external	1	1	
6	111299	RING – retaining, internal	2	1	
7	167012	GEAR – set, includes two matched bevel gears, includes shim kit 167010.	1	1	1
8	111819	SHIM KIT – base size 40 mm bore, output shaft	1	1	
	167010	SHIM KIT – base size 40 mm bore, output shaft			1
9	111291	SPACER.....	1	1	
10	100714	BEARING – tapered roller, cup & cone (output shaft)	2	2	2
11	111289	HOUSING – gearbox, cast	1	1	
	167015	HOUSING – gearbox, cast			1
12	103096	PLUG – magnetic, 3/8 GAS.....	2	2	2
13	167014	SHAFT – output, repair kit includes shaft, gear set, shim kit & hardware....	1	1	
	167013	SHAFT – output			1
14	100709	NUT – special, M40	1	1	1
15	111295	SEAL – double lip, output shaft	1	1	1
16	13626	BUSHING – rubber.....	1	1	1
17	111297	SEAL – double lip, input shaft	1		
**	111961	SEAL – double lip, input shaft		1	1
18	50155	BOLT – hex head, M12 x 25 mm.....	4	4	4
19	** 111959	COVER – input shaft bearing flange (for V2 box, order kit 111963) see note 4...	1	1	1
20	111300	RING – retaining, external	1	1	1
21	111286	CAP – dust	1	1	1
22	111302	RING – retaining, internal.....	1	1	1
23	42775	O-RING - gearbox to tandem pump.....	1	1	1
24	** 111960	BEARING – taper roller, cup & cone (input shaft, engine end).....		1	1
25	** 111962	SHIM KIT – input shaft, engine end.....		1	1
26	REF	ELBOW – barbed, see Header Drive, page 69.....	1	1	1
27	138005	TOOL – for output shaft nut (item 14).....	A/R	A/R	A/R
28	42167	WASHER – blank, see note 5			1
29	42162	SCREW – special, M14 x 45, see note 5			1
30	167008	SPACER – input shaft, see note 2, 6	1	1	

NOTE:

- For units with V2 gearbox, to upgrade input shaft bearing (engine end), order kit 111963.
This kit consists of items marked **
- Required for V2 & V3 boxes only, discard spacer if you have V4 box.
- Version 2 (V2)
Date code L05 or prior
Version 3 (V3)
Comer Code 9.327.000.20 Date code A06 Note: Earlier boxes (Date code L05 or prior) may have been upgraded to V3 box if the end cap housing for input shaft has the new marking. See MD Service Bulletin 0701_A..
Version 4 (V4)
Comer Code 9.327.100.00 Date Code D 06 and higher.
For more information on identifying gearbox versions see MD Service Bulletin 0701_A.
- For units with V2 gearbox. Confirm number on cover casting (item 19), if 12591305.00 order kit 111963 includes items **
- Required on V2 & V3 gearboxes if kit 167014 has been installed.
- Required on V2 & V3 gearboxes if shaft 167009 has been installed.

DRIVELINE (Engine to Bevel Gearbox)



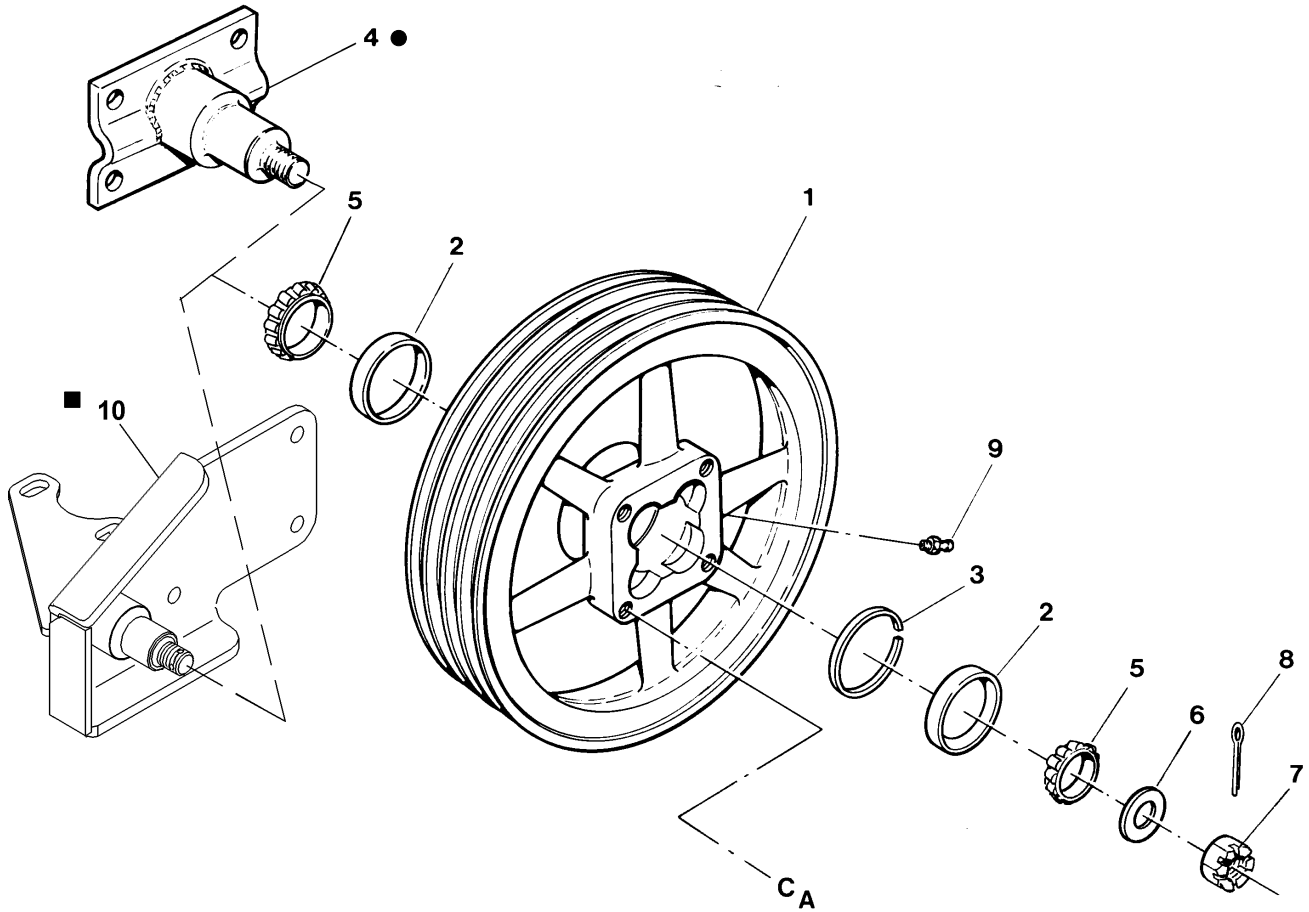
DRIVELINE
(Engine to Bevel Gearbox)

REF	PART NUMBER	DESCRIPTION	QTY	SERIAL NUMBER
1	44872	FAN - plastic	1	
2	44481	SHIM - locking	2	
3	45594	DRIVELINE - engine, complete with end yokes (see note 1)	1	
	167030	DRIVELINE - engine, complete with end yokes (see note 2)	1	
	167023	JOINT & SHAFT HALF, assembly (see notes 2, 3).....	1	
	167024	TELESCOPING JOINT, assembly (see notes 2, 3).....	1	
	167025	SEAL, telescoping joint (see notes 2, 3).....	1	
4	44472	PLATE - adapter, diesel engine.....	1	
6	44873	DISC - fan mount.....	1	
8	45035	SHIELD - fan, with decal	1	
9	42172	CROSS & BEARING KIT.....	2	
11	42174	YOKE - engine end.....	1	
12	45595	YOKE - gearbox end, spline bore, with fan mounting plate.....	1	
	167026	YOKE - gearbox end, spline bore (see notes 2, 3).....	1	
13	21301	FITTING - lube, 45°, 1/4 NF	1	
14	101291	SUPPORT - fan shield.....	1	
15	112007	SUPPORT - driveline.....	1	
16	47225	U-BOLT.....	1	
17	112012	WASHER - square.....	2	
A	30958	NUT - hex, 3/8 NF (phosphate coated)		
D	21567	BOLT - hex head, 3/8 NC x 3/4 inch		
E	30956	BOLT - hex head, 3/8 NF x 1 inch (phosphate coated)		
F	18637	WASHER - lock, 3/8 inch ID		
G	21452	NUT - serrated flange lock, 3/8 NC		
H	21863	BOLT - round head, square neck, 3/8 NC x 3/4 inch		
J	30228	NUT - lock, smooth flange, 3/8 NC distorted thread		
K	20077	BOLT - hex head, 3/8 NC x 1 inch		
L	19965	BOLT - round head, square neck, 3/8 NC x 1 inch.		

Notes:

1. Use driveline 45594 to service units with a bevel gearbox with bolt-on extension tube (see page 70, 71)
2. Use driveline 167030 to service units with a bevel gearbox with a one-piece cast housing with cooling fins (see page 72, 73)
3. Used on driveline 167030 only.

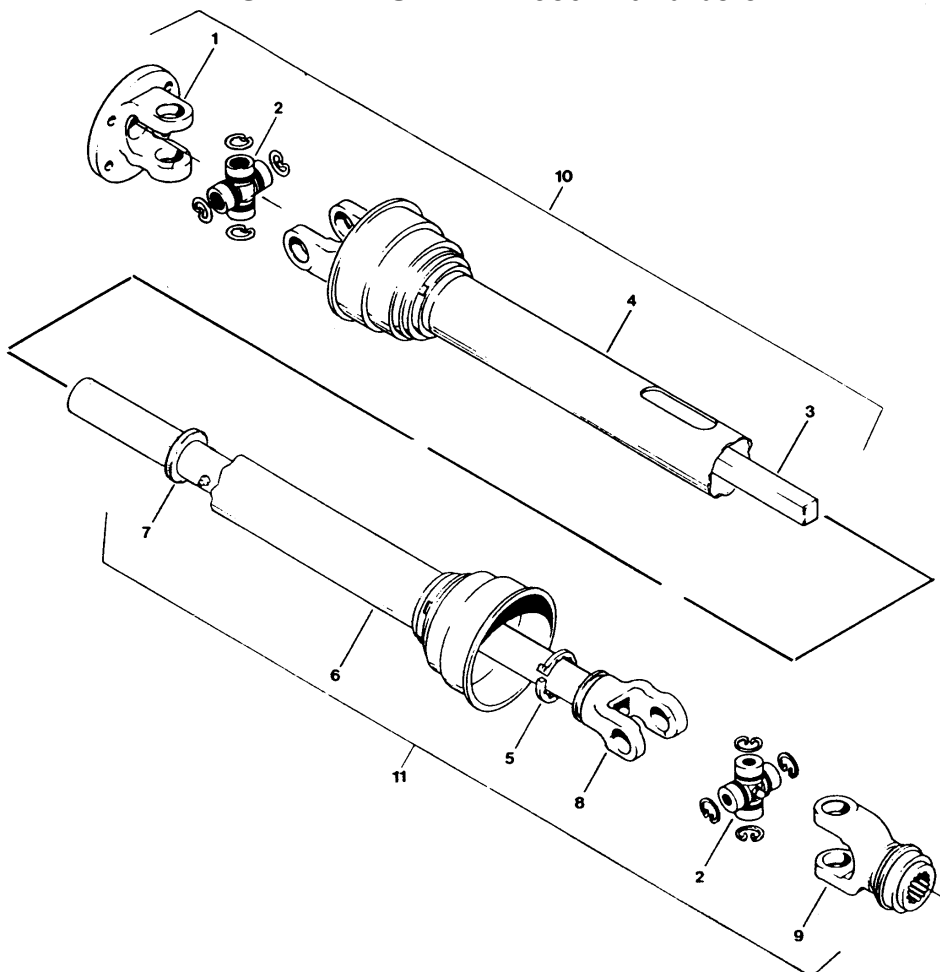
HEADER DRIVE PULLEY



REF	PART NUMBER	DESCRIPTION	QTY	SERIAL NUMBER
1	44360	PULLEY - with cups and rings (items 2 and 3)	1	
2	7900	CUP - bearing	2	
3	21545	RING - retaining, internal	2	
4	44240 ●	SUPPORT - with shaft	1	
5	7910	CONE - bearing, with seal	2	
6	21540	WASHER - flat, hardened	1	
7	5512	NUT - slotted hex, 3/4 NF	1	
8	18605	PIN - cotter, 1/8 x 1 inch	1	
9	18671	FITTING - lube	1	
10	111169 ■	SUPPORT - with shaft	1	
A	20077	BOLT - hex head, 3/8 NC x 1 inch		
C	18637	WASHER - lock, 3/8 inch ID		

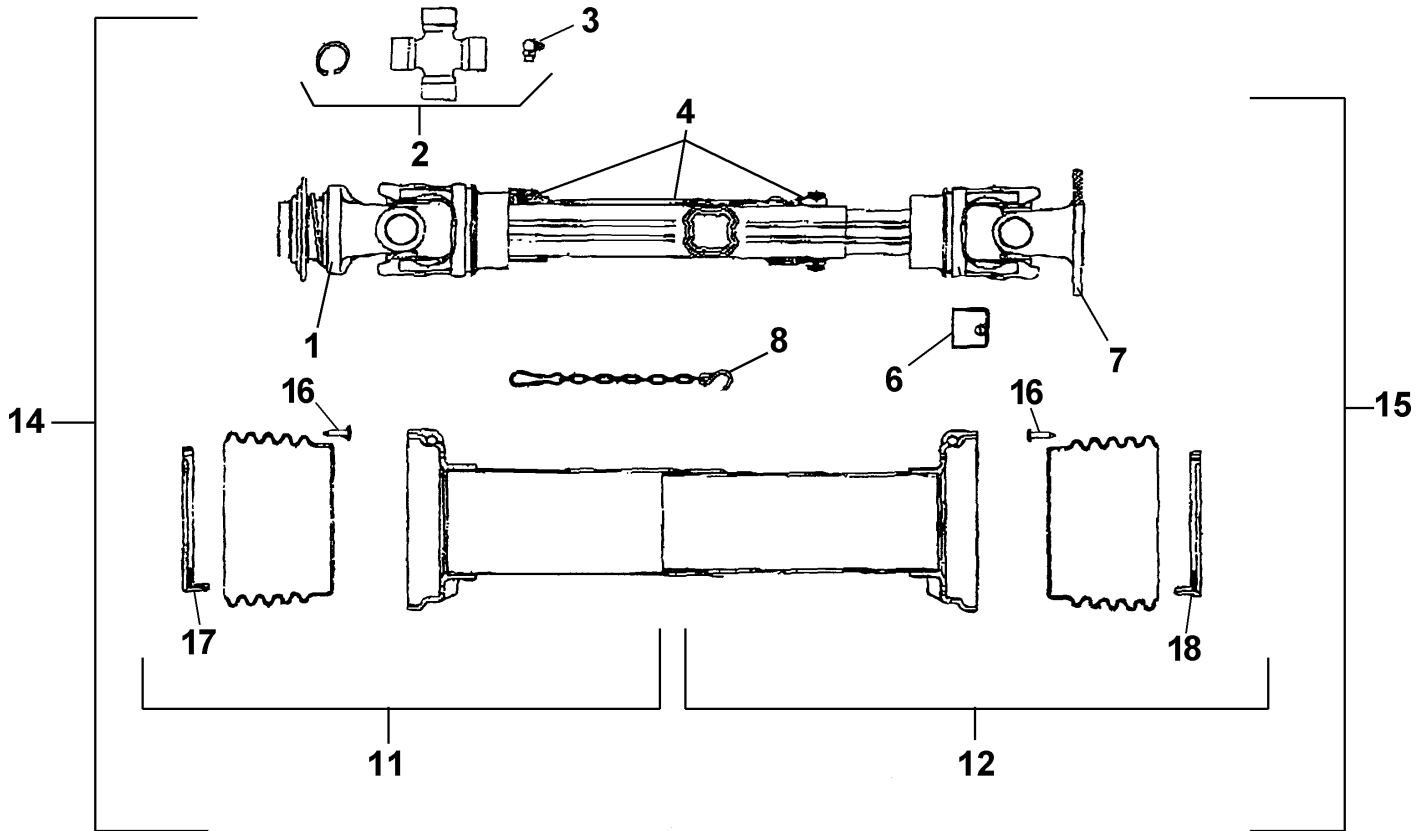
● - MacDon 9250/9350, Westward 9250/9350, Prairie Star 4940/4950, Premier 2940/2950, Harvest Pro 8140/8150
 ■ - MD 9352/9352i/9352c, WP 9352/9352i/9352c, PS 4952/4952i/4952c, PR 2952/2952i/2952c, HP8152/8152i/8152c

**9000 Series Tractor to 900 Series Headers
DRIVELINE
SERIAL NUMBER 138024 and below**



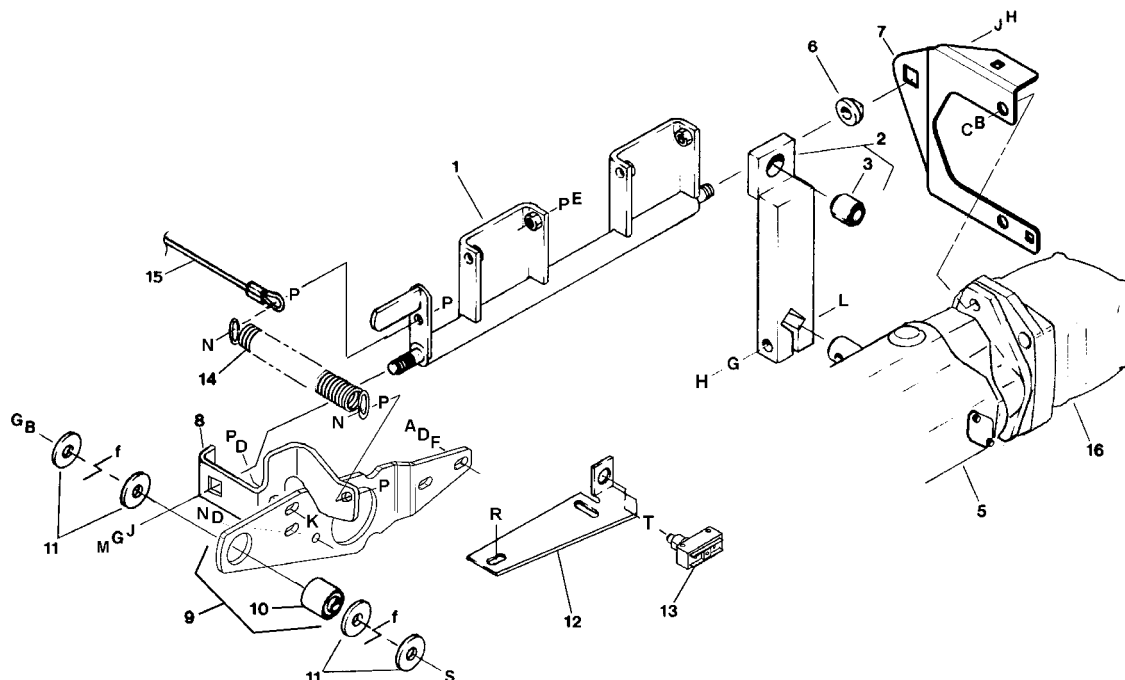
REF	PART NUMBER	DESCRIPTION	QTY	SERIAL NUMBER
1	44986	YOKE - flange.....	1	-138024
2	30622	CROSS & BEARING KIT.....	2	-138024
3	NSS	YOKE & SHAFT (order 44987).....	1	-138024
4	43705	SHIELD - outer, with decal.....	1	-138024
5	30623	BEARING - shield, consists of two halves (Walterscheid).....	2	-138024
	32800	BEARING KIT - shield (Weasler).....	2	-138024
6	43706	SHIELD - inner.....	1	-138024
7	21655	SUPPORT - shield (Walterscheid).....	1	-138024
8	NSS	YOKE & TUBE - (order 43707).....	1	-138024
9	24779	YOKE - spline bore, 1 3/8 x 21 teeth, with slide collar.....	1	-138024
	43709	YOKE - spline bore, 1 3/8 x 21 teeth, clamp type.....	OPT	-138024
10	44987	JOINT ASSEMBLY - male half, includes items 1,2,3,4,5.....	1	-138024
11	43707	JOINT ASSEMBLY - female half, includes items 2,5,6,8,9.....	1	-138024
..	44985	DRIVELINE - complete, includes items 10 and 11.....	1	-138024
	NSS	Not Serviced Separately		

**9000 Series Tractor to 900 Series Headers
DRIVELINE
SERIAL NUMBER 138025 and above**



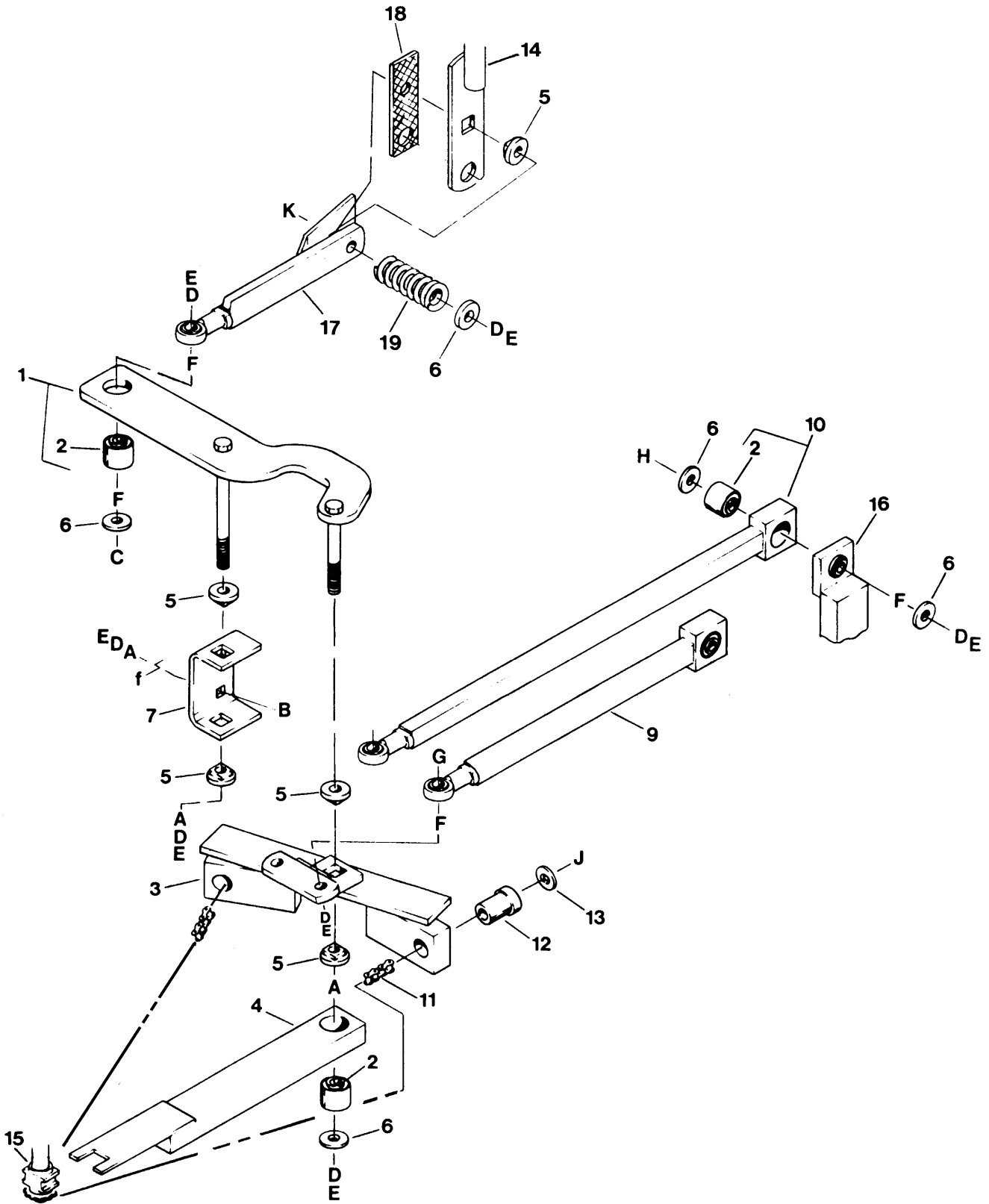
REF	PART NUMBER	DESCRIPTION	QTY	SERIAL NUMBER
1	111227	YOKE – spline bore, header end.....	1	
2	111228	CROSS JOURNAL ASSEMBLY, includes cir-clips and grease fitting.....	2	
3	111230	FITTING – grease, for cross, M8 x 90°		
4	111236	GREASE SYSTEM.....	1	
6	111234	COVER.....	1	
7	111237	YOKE – flange, tractor end.....	1	
8	111242	CHAIN – anti-rotation	2	
11	111248	SHIELD HALF – outer	1	
12	111249	SHIELD HALF– inner	1	
14	111246	HALF SHAFT – header end, includes yoke, shaft & shields	1	
15	111247	HALF SHAFT – tractor end, includes yoke, shaft & shields	1	
16	111622	SCREW – self tapping	6	
17	111623	RETAINER – plastic ring, outer shield.....	1	
18	111624	RETAINER – plastic ring, inner shield.....	1	
**	111215	DRIVELINE - complete, includes all above items.....	1	

NEUTRAL INTERLOCK & PINTLE ARMS



REF	PART NUMBER	DESCRIPTION	QTY	SERIAL NUMBER
1	111022	LOCK - neutral.....	1	
2	111026	ARM - pintle, with bushing (item 3).....	2	
3	21810	BUSHING - rubber, used with item 2.....	2	
5	REF	PUMP - piston, see "Hydraulics: Triple Pump", page 93.....	1	
6	25348	BUSHING - plastic.....	2	
7	111301	SUPPORT - gearbox, rear (was 111018).....	1	
8	111020	SUPPORT - front lock.....	1	
9	111023	SUPPORT - c/w bushing, item 10.....	1	
10	50040	BUSHING - rubber, used with item 9.....	1	
11	4761	WASHER - flat (was 25900).....	4	
12	112266	MOUNT - switch.....	1	
13	109816	SWITCH - neutral.....	1	-162249
	111763	SWITCH - neutral.....	1	162250-
14	25321	SPRING - extension.....	1	
15	45236	CABLE ASSEMBLY.....	1	
16	REF	DRIVE - gear, see "Bevel Gearbox", page 73.....	1	
A	20077	BOLT - hex head, 13/8 NC x 1 inch		
B	18638	WASHER - lock, 1/2 inch ID		
C	18723	BOLT - hex head, 1/2 NC x 1-1/2 inch		
D	18637	WASHER - lock, 3/8 inch ID		
E	50149	SETSCREW - square head, flat point, 3/8 NC x 1-3/4 inch		
F	18598	WASHER - flat, 13/32 inch ID		
G	18591	NUT - hex, 1/2 NC		
H	18697	NUT - lock, 1/2 NC distorted thread		
J	18599	WASHER - flat, 17/32 inch ID		
K	19965	BOLT - round head, square neck, 3/8 NC x 1 inch		
L	135542	BOLT - hex head, 1/2 NC x 3 inch, grade 8		
M	21056	NUT - hex jam, 1/2 NC		
N	21561	BOLT - hex head, 3/8 NC x 1-1/2 inch		
P	18590	NUT - hex, 3/8 NC		
R	30228	NUT - lock, smooth flange, 3/8 NC distorted thread		
S	30011	BOLT - hex head, 1/2 NC x 3-1/4 inch		
T	18600	WASHER - flat, 21/32 inch ID		
~ f	REF	Indicates where hardware passes through frame member		

STEERING & GROUND SPEED



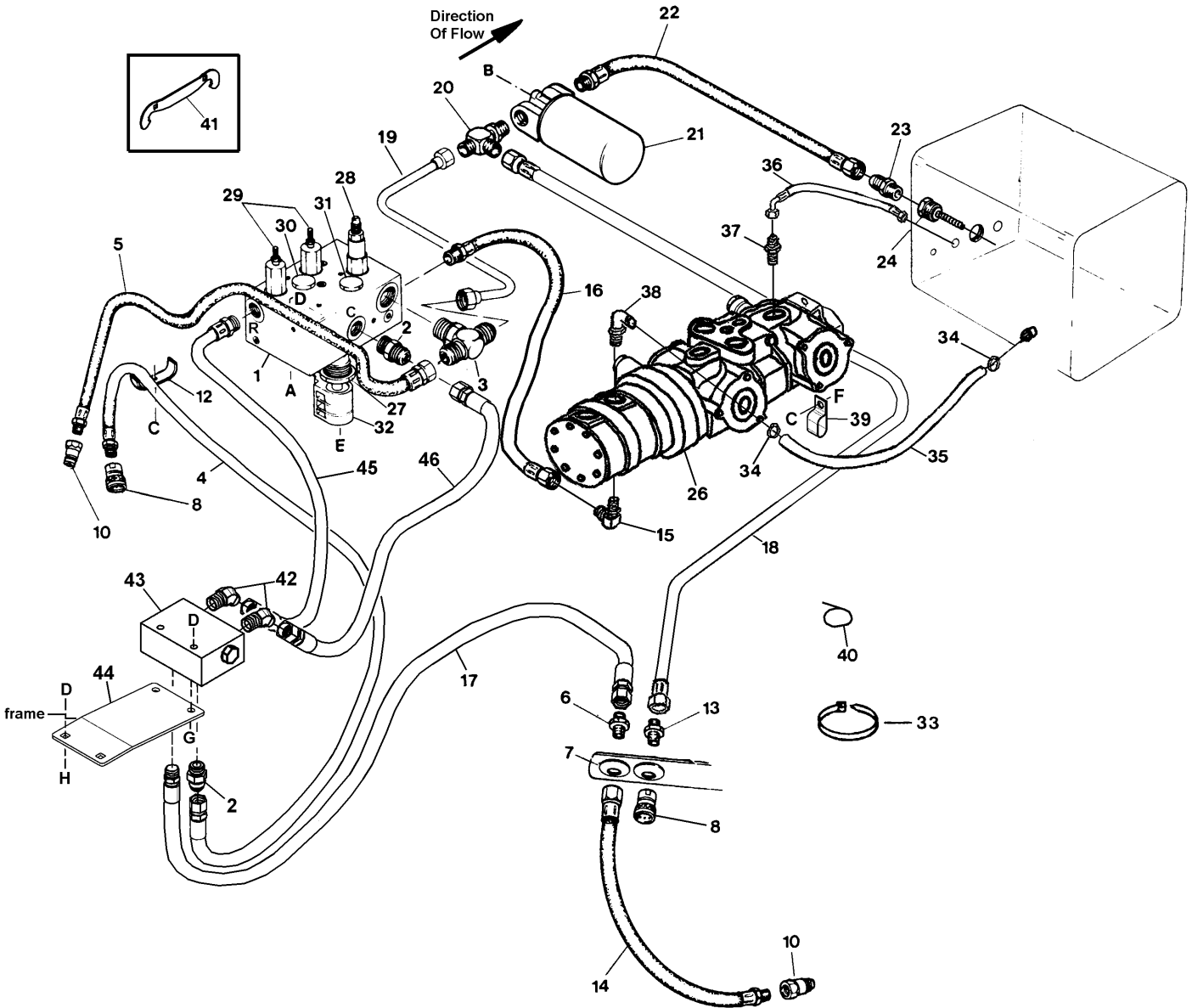
STEERING & GROUND SPEED

REF	PART NUMBER	DESCRIPTION	QTY	SERIAL NUMBER
1	42776	ARM - steering, with bushing (item 2)	1	
2	50040	BUSHING - rubber	4	
3	42781	PIVOT - steering	1	
4	42787	CARRIER - steering, with bushing (item 2)	1	
5	25348	BUSHING - plastic	5	
6	4761	WASHER - flat	7	
7	42793	SUPPORT - steering arm	1	
9	111029	BAR - control, left, with bushing (item 2) (to front pintle arm)	1	
10	42797	BAR - control, right, with bushing (item 2) (to rear pintle arm)	1	
11	21922	CHAIN - steering	1	
12	42482	INSULATOR - rubber	2	
13	23118	WASHER - flat	see note (1)	
14	REF	LEVER - ground speed, see "Ground Speed Lever", page 19	1	
15	REF	SHAFT - steering, see "Steering Column", page 13	1	
16	REF	PINTLE ARM - see "Neutral Interlock & Pintle Arms", page 79	1	
17	45558	BAR - control, ground speed	1	
18	45565	PAD - friction	1	
19	11660	SPRING - compression	1	
A	18599	WASHER - flat, 17/32 inch ID		
B	21469	BOLT - round head, square neck, 1/2 NC x 1-1/2 inch		
C	21581	BOLT - hex head, 1/2 NC x 3-1/2 inch		
D	18591	NUT - hex, 1/2 NC		
E	18697	NUT - lock, 1/2 NC distorted thread		
F	18638	WASHER - lock, 1/2 inch ID		
G	21578	BOLT - hex head, 1/2 NC x 2-1/4 inch		
H	21589	BOLT - hex head, 1/2 NC x 4 inch		
J	18648	PIN - cotter, 3/16 x 1-1/4 inch		
K	50052	BOLT - round head, square neck, 1/2 NC x 5 inch		
~ f	REF	Indicates where hardware passes through frame member.		

NOTES:

(1) - Quantity of item 13 varies as required for shimming. Nominal quantity is 3 (2 @ L/H, 1 @ R/H).

HYDRAULICS: HEADER DRIVE



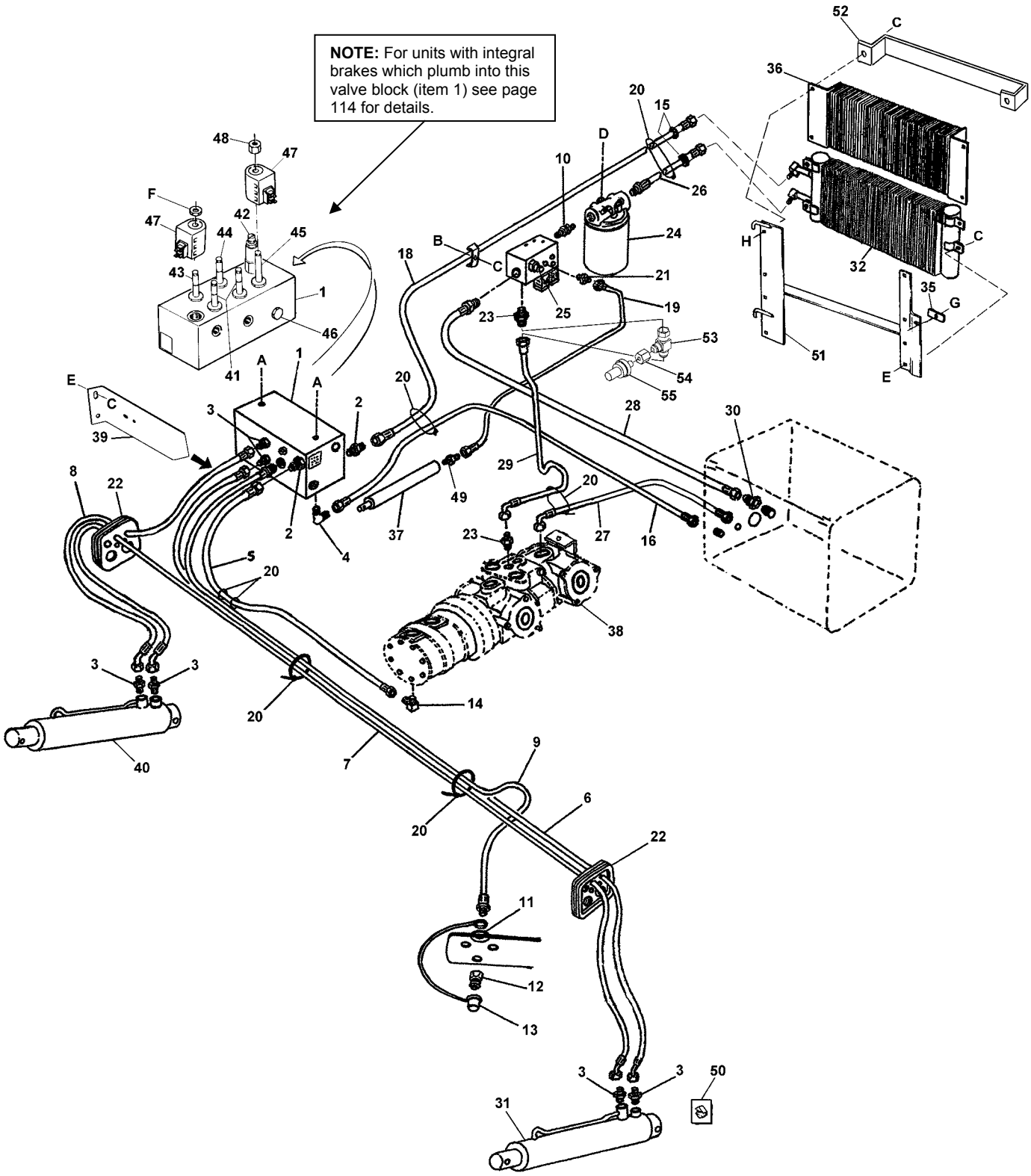
HYDRAULICS: HEADER DRIVE

REF	PART NUMBER	DESCRIPTION	QTY	SERIAL NUMBER
1	111143	VALVE - header drive block, includes items 27 - 32	1	
	45101	SEAL KIT – repairs <u>one</u> cartridge in header drive valve block		
	45554	BLOCK only		
2	30695	FITTING - adapter, 7/8 O-ring x 5/8 tube	2	
3	50050	FITTING - tee, 1-1/16 O-ring x 3/4 tube x 3/4 tube	1	
4	112263	HOSE - hydraulic, pressure to female coupler	1	
5	37758	HOSE - hydraulic, return from male coupler	1	
6	21746	FITTING - connector	1	
7	45153	WASHER - dished	2	
8	21857	COUPLER - quick disconnect, female, 1/2 NPT	2	
	50082	O-RING - for coupler 21857		
10	21855	COUPLER - quick disconnect, male, 1/2 NPT	2	
12	32225	HOLDER - hose	1	
13	30611	FITTING - connector	1	
14	45737	HOSE - pressure to male coupler – (was 47009)	1	
15	30609	FITTING - elbow	1	
16	45126	HOSE - hydraulic, pressure - pump to block	1	
17	112264	HOSE - hydraulic, pressure - to male coupler	1	
18	112204	HOSE - hydraulic, return - coupler to filter	1	
19	45551	LINE - hydraulic, return - block to filter	1	
20	30858	FITTING - tee	1	
21	45205	OIL FILTER ELEMENT – spin-on, see note 1 re: substitution	1	
	45160	OIL FILTER ASSEMBLY – head & element	1	
22	45138	HOSE - hydraulic, return - filter to tank	1	
23	21836	FITTING - connector	1	
24	45161	VALVE - check	1	
26	REF	PUMP - hydraulic, see page 93	1	
27	45107	VALVE - N.C., header drive block	1	
28	45108	VALVE - P.D. relief, header drive block (stamped I.D. #2155)	1	
29	49725	FLOW CONTROL, header drive block	2	
	49726	COLLAR – flow control	2	
	49727	SETSCREW - for flow control 49725	2	
	49728	PIN – roll	2	
	111458	SEAL – crush ring	2	
30	45110	VALVE - shuttle, header drive block	1	
31	45111	VALVE - regulator, header drive block	1	
32	111225	COIL - DS, 12VDC, header drive block (was 45104)	1	
33	30753	FASTENER - plastic tie	2	
34	17958	CLAMP – hose	2	
35	112194	HOSE – hydraulic suction	1	
36	111068	HOSE – hydraulic, case drain to tank	1	
37	21747	FITTING – connector (8-10)	1	
38	111043	FITTING – elbow, barbed insert, 90°	1	
39	103738	FASTENER – hose clamp	1	
40	21763	FASTENER – plastic tie	4	
41	112811	TOOL – for disassembly of flow control, item 29	1	
42	50103	FITTING – hydraulic, elbow, 45° male	2	
43	111602	VALVE – reel conveyor drive block	1	
44	110599	PLATE – valve block mounting	1	
45	111605	HOSE – hydraulic	1	
46	111606	HOSE – hydraulic	1	
A	50088	BOLT - rnd hd, sq nk, 3/8 NC x 3-1/2"	F	21863 BOLT – rnd hd, sht sq nk, 3/8 NC x 3/4"
B	21456	BOLT - flange head, 1/4 NC x 3/4 inch	G	30035 BOLT – hex head, 3/8 NC x 1-1/2 inch
C	30228	NUT - lock, smth flg, 3/8 NC dist thread	H	19965 BOLT – rnd hd, sq nk, 3/8 NC x 1 inch
D	21452	NUT - serrated flange, 3/8 NC		
E	21812	NUT - hex jam, 1/2 NF		

NOTES:1.) Pressure rating on MacDon filter element 21808 is not adequate for this application.

HYDRAULICS: CYLINDER CONTROL

NOTE: For units with integral brakes which plumb into this valve block (item 1) see page 114 for details.

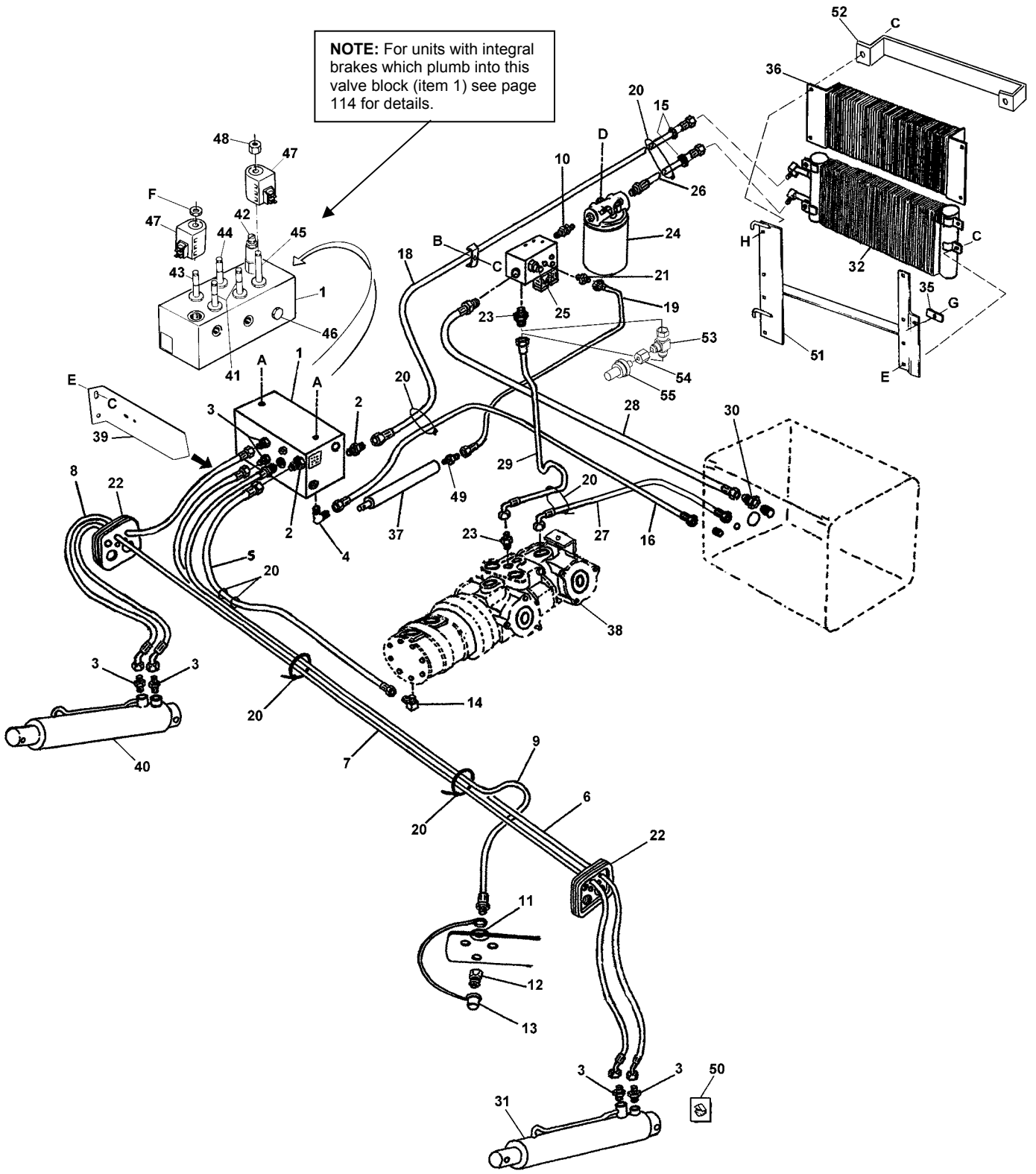


HYDRAULICS: CYLINDER CONTROL

REF	PART NUMBER	DESCRIPTION	QTY	SERIAL NUMBER
1	111040	VALVE - cylinder control block, with reel lift - includes items 41-47	1	
	45103	SEAL KIT - repairs <u>one</u> cartridge in cylinder control valve block	1	
	111278	BLOCK only		
2	30695	FITTING - connector.....	2	
3	15903	FITTING - connector.....	6	
4	30282	FITTING - elbow	1	
5	111059	HOSE - pressure, pump to valve	1	
6	111081	HOSE - valve to left header lift cylinder	1	
7	112179	HOSE - left header lift cylinder to right header lift cylinder	1	
8	111080	HOSE - valve to right header lift cylinder.....	1	
9	45178	HOSE - valve to reel lift coupler	1	
10	112197	FITTING - connector.....	1	
11	45157	WASHER - dished	1	
12	30443	COUPLER - quick disconnect, male (reel lift).....	1	
13	21824	CAP - coupler	1	
14	21843	FITTING - connector (10-10)	1	
15	112199	GROMMET - hose protector.....	2	
16	45131	HOSE - valve to tank	1	
17	32225	HOLDER - hose.....	1	
18	45129	HOSE - valve to oil cooler	1	
19	112201	HOSE - valve to header clutch cylinder	1	
20	21763	FASTENER - cable tie.....	7	
21	100790	FITTING - connector (4-6)	1	
22	45884	GROMMET - hose holder	2	
23	21030	FITTING - connector.....	2	
24	45373	OIL FILTER ELEMENT - spin-on (1-1/2" thread).....	1	-138989
	45372	OIL FILTER ASSEMBLY - head & element.....	1	-138989
	112419	OIL FILTER ELEMENT - spin-on (1-3/8" thread).....	1	138990-
	112420	OIL FILTER ASSEMBLY - head & element.....	1	138990-
25	45154	SWITCH - oil pressure (40 psi), single-speed units.....	1	
	111053	SWITCH - oil pressure (150 psi), two-speed units	1	
26	45134	HOSE - oil cooler to filter (150 psi)	1	
27	REF	HOSE - see Hydraulics: Header Drive, page 83.....	1	
28	112181	HOSE - filter to tank.....	1	
29	112183	HOSE - pump charge pressure	1	
30	5079	FITTING - adapter (12-12).....	1	
31	112190	CYLINDER - left, header lift - 3" bore	1	
	42125	SEAL KIT - for cylinder 112190 - see page 88 for kit contents		
32	44168	COOLER - oil - JIC fittings.....	1	
35	44217	LATCH - cooler mount.....	1	
36	REF	CONDENSER - see "Air Conditioning", page 31.....	1	
37	REF	CYLINDER - header clutch, see "Header Drive", page 69	1	
38	REF	PUMP - see page 93	1	
39	45034	SHIELD - valve	1	
40	112191	CYLINDER - right, header lift, 2-1/2" bore.....	1	
	42126	SEAL KIT - for cylinder 112191 - see page 89 for kit contents		

HYDRAULICS: CYLINDER CONTROL

NOTE: For units with integral brakes which plum into this valve block (item 1) see page 114 for details.



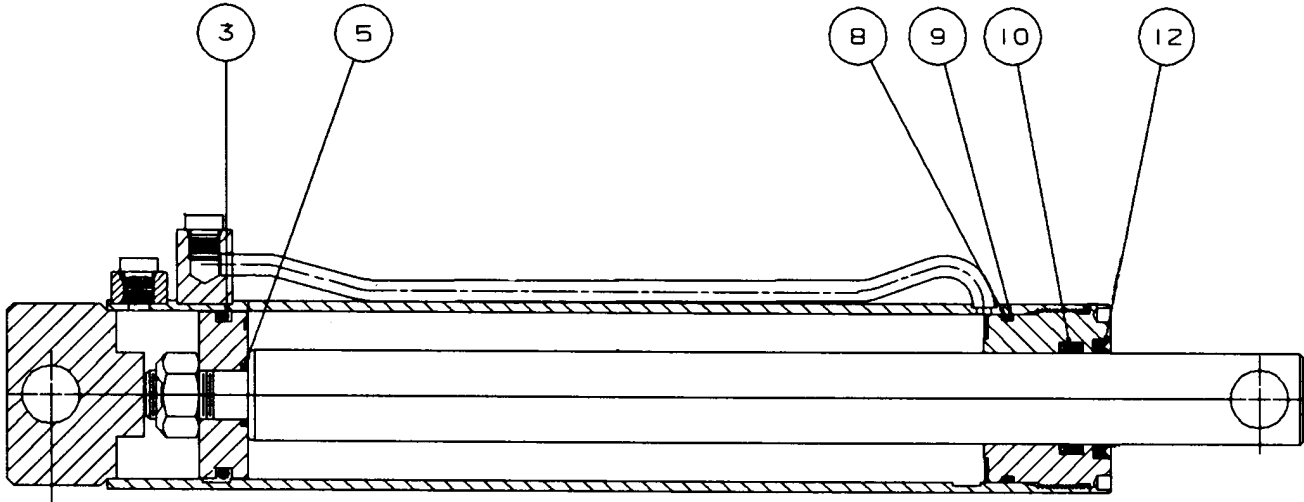
HYDRAULICS: CYLINDER CONTROL

REF	PART NUMBER	DESCRIPTION	QTY	SERIAL NUMBER
41	45112	VALVE - N.C. (ports S-3 & S-5).....	2	
42	45113	VALVE - relief	1	
43	45114	VALVE - 3W 2P (port S-2).....	1	
44	45115	VALVE - 4W 2P (port S-4).....	1	
45	45116	VALVE - N.O. (port S-1)	1	
46	49810	VALVE – check valve	1	
47	111225	COIL - DS, 12VDC (was 45104).....	5	
48	45099	NUT - special, machined	2	
49	45040	RESTRICTOR - flow, header clutch cylinder.....	1	
50	20988	RESTRICTOR - flow, to slow rate of 960/962/972 Headers lift and drop (install in bottom port of item 31)	1	
51	44294	SUPPORT – coolers.....	1	
52	REF	GUARD – coolers, see “Air Conditioning – Engine Group”, page 31	1	
53	■ 108268	FITTING – run tee.....	1	162250-
54	■ 112996	CAP – 1/2 tube x 1/8 NPT	1	162250-
55	■ 112848	SWITCH – header/brake	1	162250-

■ - MacDon 9352i/9352c, Westward 9352i/9352ic, Prairie Star 4952i/4952c, Premier 2952i/2952c
 Harvest Pro 8152i/8152c

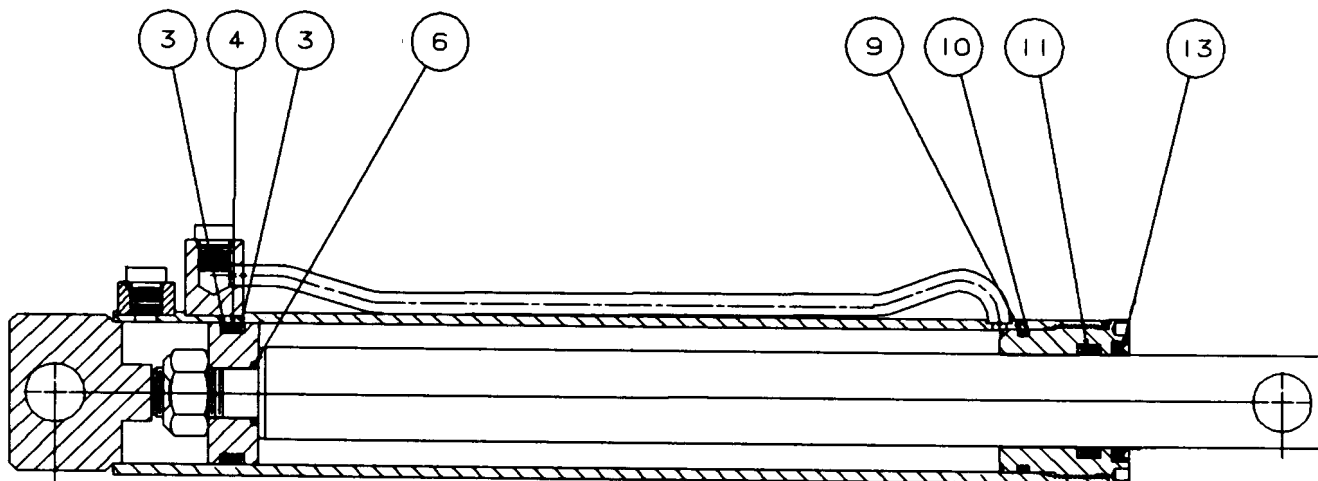
A	21821	BOLT - flange head, 3/8 NC x 3/4 inch	
B	21484	BOLT - round head, square neck, 3/8 NC x 1-1/2 inch	
C	30228	NUT - lock, smooth flange, 3/8 NC distorted thread	
D	30278	BOLT - flange head, 5/16 NC x 3/4 inch.....	-138989
	21821	BOLT – flange head, 3/8 NC x 3/4 inch.....	138990-
E	21863	BOLT - round head, square neck, 3/8 NC x 3/4 inch	
F	21812	NUT - hex jam, 1/2 NF	
G	21289	NUT – wing, 3/8 NC	
H	19965	BOLT – round head, square neck, 3/8 NC x 1 inch	

**Header Lift Cylinder
3.0" BORE SEAL KIT**



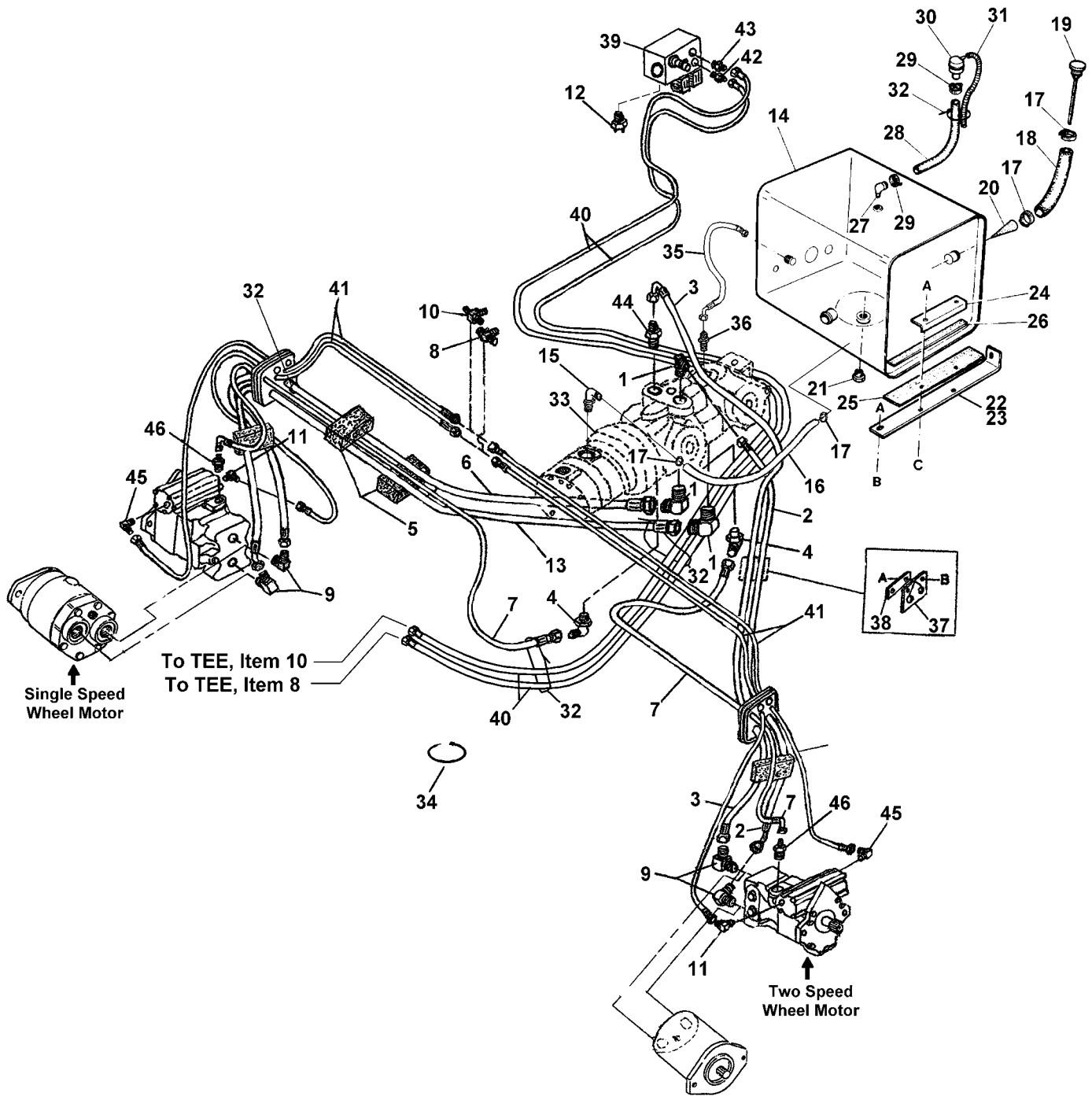
REF	PART NUMBER	DESCRIPTION	QTY	SERIAL NUMBER
	42125	SEAL KIT - 3" bore, for header lift cylinder 112190		
		Includes the following:		
3		O-RING BN - 3" OD x 2-5/8" ID	1	
5		O-RING BN - 1-1/8 OD x 7/8" ID	1	
8		O-RING BN - 3" OD x 2-3/4" ID	1	
9		BU WASHER - 3" OD x 2-3/4" ID	1	
10		U CUP, L B - 2" OD x 1-5/8" ID x 3/8" long	1	
12		WIPER MT - 1-5/8" ID x 2-1/8 OD x 5/16" long	1	

Header Lift Cylinder 2.5" BORE SEAL KIT



REF	PART NUMBER	DESCRIPTION	QTY	SERIAL NUMBER
	42126	SEAL KIT - 2.5" bore, for header lift cylinder 112191		
		Includes the following:		
3		BU WASHER - 2-1/2" OD x 2-1/8" ID	2	
4		O-RING BN - 2-1/2" OD x 2-1/8" ID	1	
6		O-RING BN - 1-1/8" OD x 7/8" ID	1	
9		O-RING BN - 2-1/2" OD x 2-1/4" ID	1	
10		BU WASHER - 2-1/2" OD x 2-1/4" ID	1	
11		U CUP, L B - 2" OD x 1-5/8" ID x 3/8" long	1	
13		WIPER MT - 1-5/8" ID x 2-1/8" OD x 5/16" long	1	

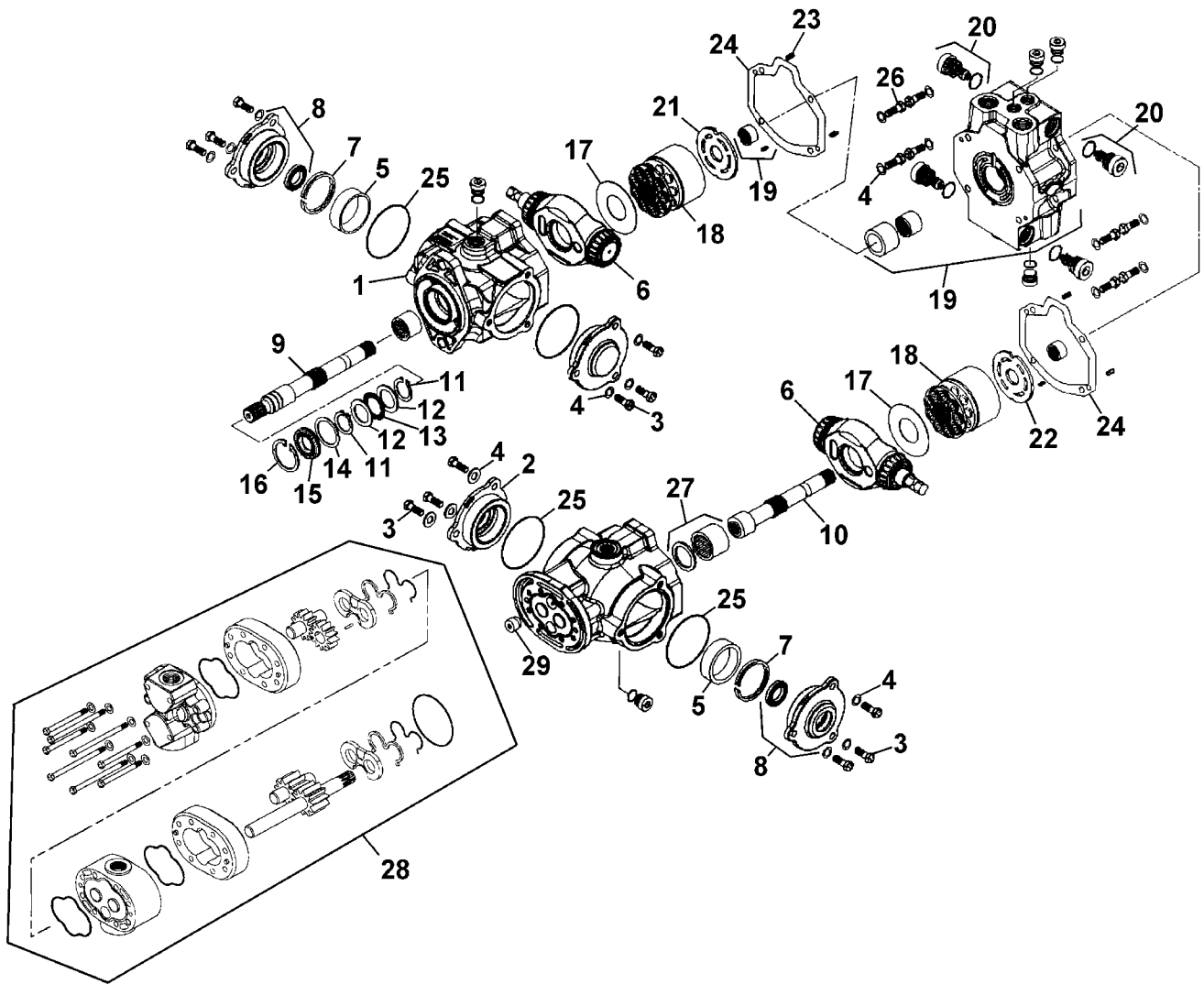
HYDRAULICS: TRACTION DRIVE



HYDRAULICS: TRACTION DRIVE

REF	PART NUMBER	DESCRIPTION	QTY	SERIAL NUMBER
			NA / TURBO	
1	30970	FITTING - elbow, 3/4 tube x 1-1/16 O-ring	3	
	30971	O-RING - for 1-1/16 fitting		
2	112250	HOSE - hydraulic - to left wheel motor, rear port (single speed units)	1	
	111069	HOSE - hydraulic - to left wheel motor, rear port (2 speed units).....	1	
3	112249	HOSE - hydraulic - to left wheel motor, front port (single speed units).....	1	
	111132	HOSE - hydraulic - to left wheel motor, front port (2 speed units).....	1	
4	21076	FITTING – elbow, 90°	2	
5	45175	PAD - foam	5	
6	45546	HOSE - hydraulic - to right wheel motor, rear port (single speed units)	1	
	111070	HOSE – hydraulic – to right wheel motor, rear port (2 speed units).....	1	
7	111044	HOSE - hydraulic, case drain from motors (L/H motor)	2	
8	7603	FITTING - tee	1	
9	REF	FITTING – motor pressure, see Wheel Motor Assembly	4	
10	18881	FITTING - tee	1	
11	30927	FITTING – elbow, #4 JIC fitting.....	2	
12	111053	SWITCH – supercharge oil pressure, 2 speed units	1	
	45154	SWITCH – supercharge oil pressure, single speed units.....	1	
13	45547	HOSE - hydraulic - to right wheel motor, front port (single speed units)	1	
	112182	HOSE – hydraulic – to right wheel motor, front port (2 speed units)	1	
14	167004	TANK – hydraulic, with decal	1	
15	111043	FITTING - barbed insert, 45°, 1-5/8 O-ring	1	
16	112194	HOSE - hydraulic, suction.....	1	
17	17958	CLAMP - hose	2	
18	42028	HOSE - filler to tank.....	1	
19	21822	CAP - dipstick	1	
20	24037	STRAINER	1	
21	44207	PLUG - magnetic, with O-ring (44209).....	1	
22	44201	SUPPORT - left	1	
23	44202	SUPPORT - right	1	
24	44205	RETAINER - tank mount.....	2	
25	44203	STRIP - lower, tank mount.....	2	
26	44204	STRIP - upper, tank mount.....	2	
27	5735	FITTING - elbow	1	
28	44945	HOSE - vent	1	
29	30670	CLAMP - hose	2	
30	20579	BREATHER.....	1	
31	24398	HOSE - breather intake	1	
32	21763	FASTENER - plastic tie, 7-1/2 inch.....	7	
33	REF	PUMP - see page 92	1	
34	30753	FASTENER - plastic tie, 14-1/2 inch.....	2	
35	111068	HOSE – hyd, pump case drain to tank.....	1	
36	21747	FITTING – connector (8-10)	1	
37	112233	MOUNT – hose.....	1	
38	45740	BAR – hose mount.....	1	
39	111388	MANIFOLD – supercharge, 2 speed.....	1	
	111128	MANIFOLD – supercharge, single speed	1	
40	111071	HOSE – control valve, tee (2 speed units).....	2	
41	111072	HOSE – servometer, tee (2 speed units).....	4	
42	112184	FITTING – connector (2 speed units)	1	
43	100790	FITTING – adapter (2 speed units).....	1	
44	21830	FITTING – connector	1	
45	30282	FITTING – elbow, #6 JIC fitting.....	2	
46	30939	FITTING – connector (8-12)	2	
A	30228	NUT - lock, smooth flange, 3/8 NC distorted thread		
B	19965	BOLT - round head, square neck, 3/8 NC x 1 inch		
C	21484	BOLT - round head, square neck, 3/8 NC x 1-1/2 inch		

HYDRAULICS: TRIPLE PUMP



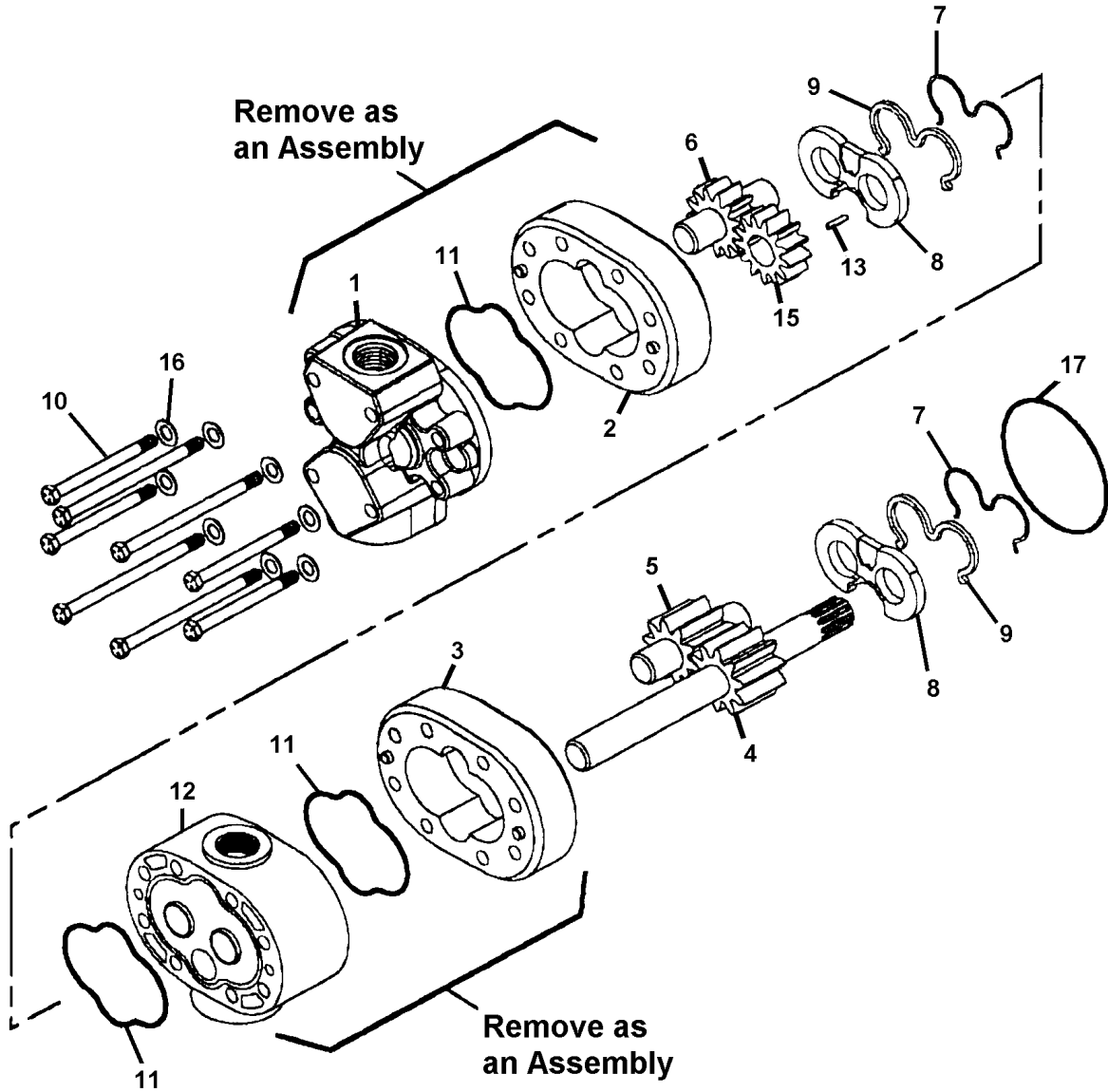
HYDRAULICS: TRIPLE PUMP

REF	PART NUMBER	DESCRIPTION	QTY	SERIAL NUMBER
		NOTE: Piston pump component quantities are per pump assembly.		
*	111194	PUMP – triple, complete (Eaton #78364-RBU-02) (was 111014, Eaton #78364-RBH-02)	1	
1		HOUSING – sub assembly	1	
2	49785	PLATE – cover, sub assembly	2	
3	49786	SCREW - cap	12	
4	49787	WASHER	20	
5	49788	CUP - bearing	2	
6	49789	CAMPLATE – sub assembly (front)	1	
	49789	CAMPLATE – sub assembly (rear)	1	
7	49790	RING - crush	2	
8	49791	PLATE – cover, sub assembly with seal	2	
	30058 +	SEAL – for cover plate	2	
9	49792	SHAFT – drive, front	1	
10	49793	SHAFT – drive, rear (for pump 111014)	1	-131619**
	49858	SHAFT – drive, rear (for pump 111194)	1	138025-**
11	30144 +	RING - retaining	2	
12	30140	RACE - thrust	2	
13	30141	BEARING - thrust	1	
14	49794	WASHER	1	
15	50217 +	SEAL – shaft, viton	1	
16	18900 +	RING - retaining	1	
17	49795	INSERT – cam plate	2	
18	49796	KIT – rotating sub assembly	2	
19		MANIFOLD – center sub assembly	1	
20	49798	VALVE – relief sub assembly	4	
21	49799	PLATE - valve (R/H front)	1	
22	49800	PLATE – valve (R/H rear)	1	
23	49801	PIN - dowel	4	
24	30138 +	GASKET – housing, front & rear	2	
25	49802 +	O-RING	4	
26	49786	SCREW - cap	8	
27		HOUSING – sub assembly, (rear)	1	
28	REF	DOUBLE GEAR PUMP SUB ASSEMBLY – see page 94	1	
29	49806	PLUG	1	
30		LABEL – identification	1	
31	49808	PLUG – sub assembly	1	

* 49861 SEAL KIT – incl. all items marked +, for pump 111014 & 111194

** For units with serial numbers in the range not specified above, ie. 131620 to 138024, identify your pump using the Eaton number listed at the top of this page and order the corresponding shaft.

HYDRAULICS: DOUBLE GEAR PUMP



HYDRAULICS: DOUBLE GEAR PUMP

REF	PART NUMBER	DESCRIPTION	QTY	SERIAL NUMBER
*	49805	PUMP - double gear, part of Triple Pump 111014 Eaton Production #26513-R01 / Eaton Service #26000-932	1	-131619**
	49859	PUMP - double gear, part of Triple Pump 111194 Eaton Production #26513-R02 / Eaton Service #26000-933	1	138025-**

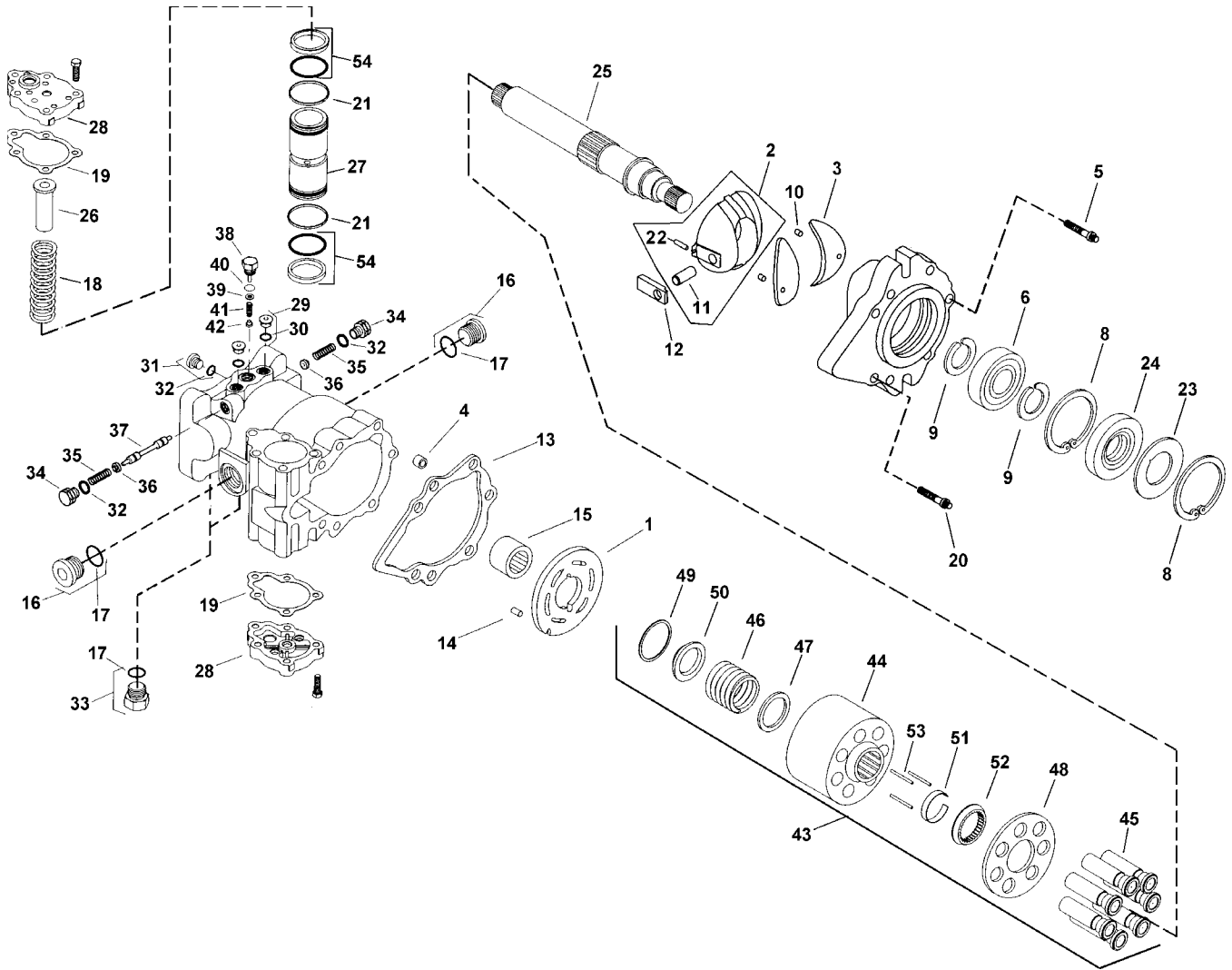
For other triple pump components, see page 93.

1		BACKPLATE	1	
2		BODY - rear	1	
3		BODY - front	1	
4		DRIVE GEAR - front	1	
5		IDLER GEAR - front	1	
6		IDLER GEAR - rear	1	
7	45575 +	GASKET – pressure balance	2	
8	49819	PLATE – wear	2	
9	45577 +	SEAL – pressure balance	2	
10	49821	SCREW – cap	8	
11	45579 +	O-RING.....	3	
12	49823	ADAPTOR PLATE.....	1	
13		KEY	1	
14		PLUG.....	1	
15		DRIVE GEAR – slip fit, rear.....	1	
16	49827 +	WASHER.....	8	
17	30120 +	O-RING.....	1	

* 49809 SEAL KIT – incl. all items marked +, for pump 49805 & 49859

** For units with serial numbers in the range not specified above, ie. 131620 to 138024, identify your pump using the Eaton numbers listed at the top of this page. The Eaton production number, service number, or both will be stamped into the pump housing.

HYDRAULICS: TWO-SPEED WHEEL MOTOR

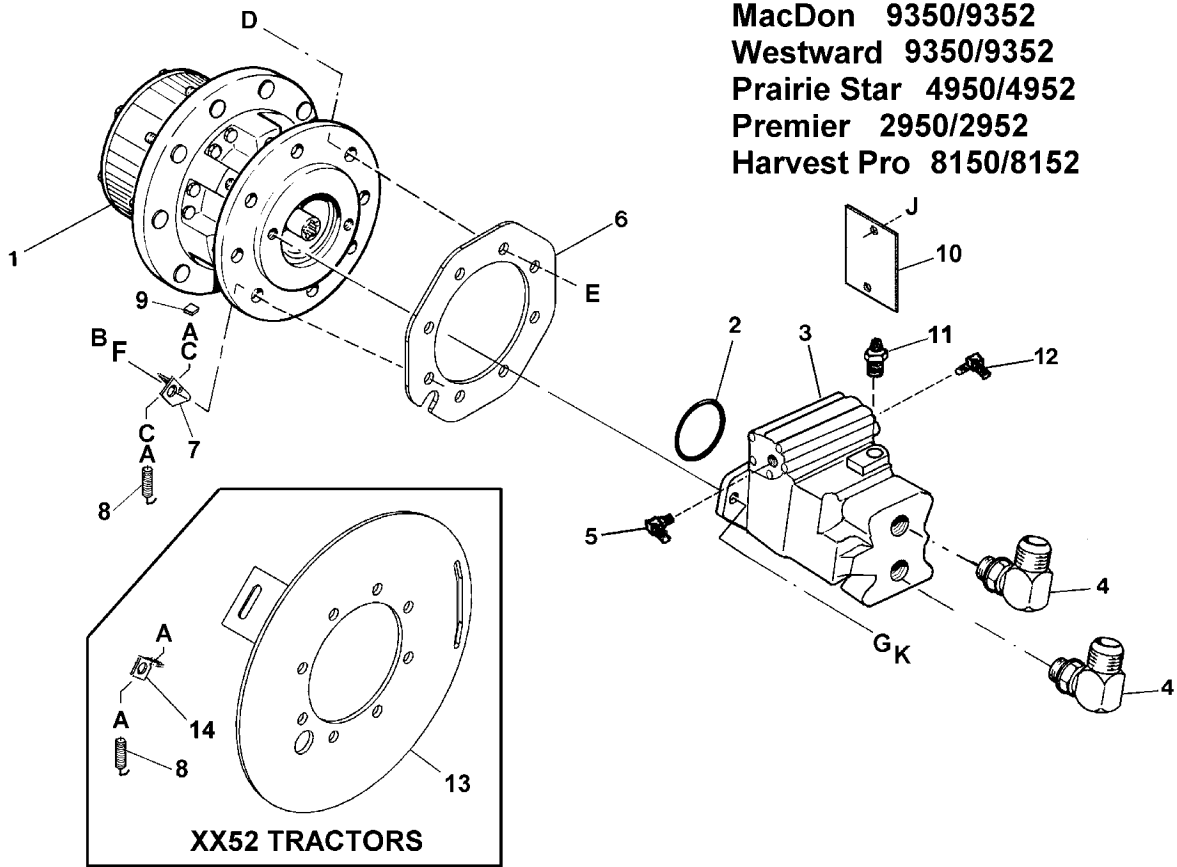


HYDRAULICS: TWO-SPEED WHEEL MOTOR

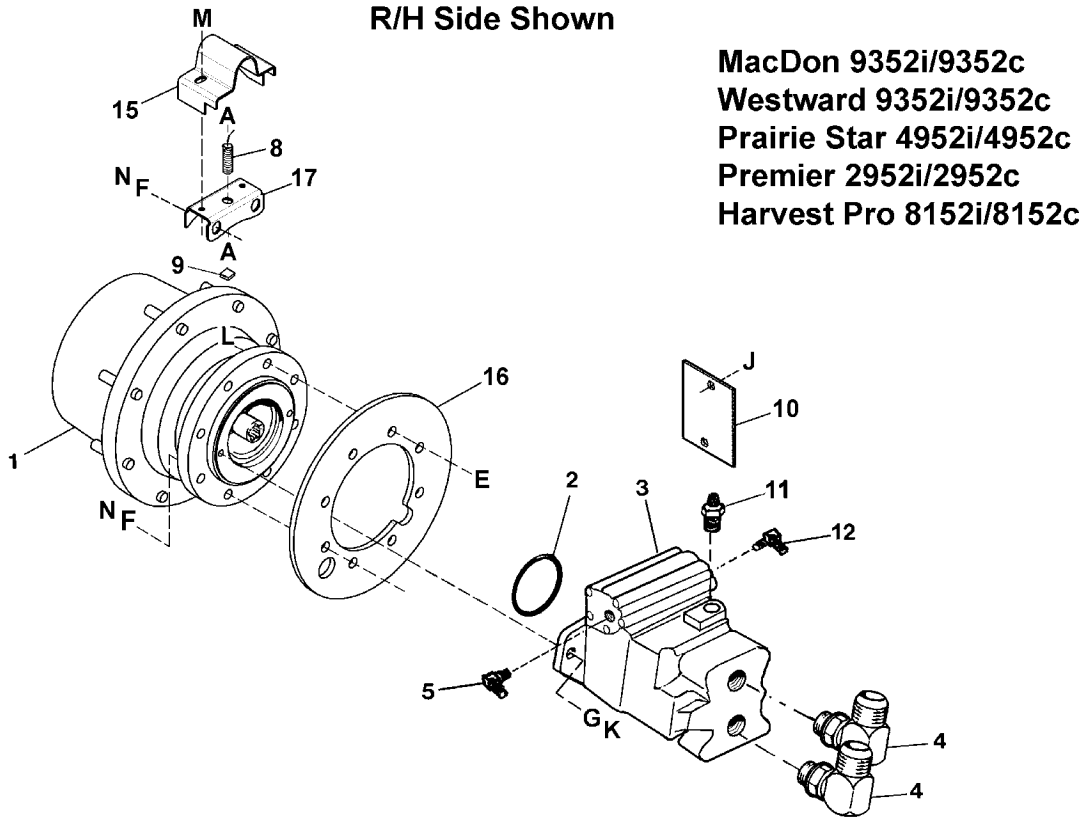
REF	PART NUMBER	DESCRIPTION	QTY	SERIAL NUMBER
	111030	MOTOR - wheel, hydraulic piston type, complete		
1	49729	VALVE PLATE – motor	1	
2	49730	SWASHPLATE ASSEMBLY - variable	1	
3	49731	BEARING - journal	2	
4		PIN - spring	1	
5	49733	SCREW	1	
6	49734	BEARING - ball	1	
8	49735	RING	2	
9	49736	RING – internal retaining	2	
10	49737	PIN - spring	2	
11	49738	PIN	1	
12	49739	BEARING - sleeve	1	
13	49740	GASKET – front cover	1	
14		PIN - straight	1	
15	49742	BEARING - needle	1	
16	49743	PLUG	2	
17	30971	O-RING (was 49744)	4	
18	49745	SPRING - servo	2	
19	49746	GASKET - servo	2	
20	49747	SCREW	6	
21	49748	RING - bearing	2	
22	49749	PIN - slotted	1	
23	49750	WASHER - support	1	
24	49751	SEAL - lip	1	
25	49752	SHAFT – 13 tooth, splined	1	
26	49753	STOP	1	
27	49755	PISTON ASSEMBLY - servo	1	
28	49756	COVER - servo	2	
29	49757	PLUG	2	
30	49758	O-RING	2	
31	49759	PLUG	1	
32	49760	O-RING	2	
33	49761	PLUG	2	
34	49763	PLUG	2	
35	49764	SPRING - compression	2	
36	49762	SPRING GUIDE	2	
37	49765	SHUTTLE SPOOL	1	
38	49766	PLUG	1	
39	49767	SHIM KIT	1	
40	49768	O-RING	1	
41	49769	SPRING - compression	1	
42	49770	POPPET	1	
43	49771	CYLINDER BLOCK ASSEMBLY, includes items 44-53	1	
44		CYLINDER BLOCK	1	
45		PISTON ASSEMBLY	7	
46		SPRING – cylinder block	1	
47		WASHER	1	
48		SLIPPER GUIDE	1	
49		RING – retaining	1	
50		WASHER	1	
51		HOLD DOWN – slipper retainer	1	
52		GUIDE – retainer	1	
53		PIN – slipper hold down	3	
54	49782	PISTON RING KIT – servo	1	

TWO SPEED DRIVE: WHEEL MOTOR ASSEMBLY

R/H Side Shown



R/H Side Shown



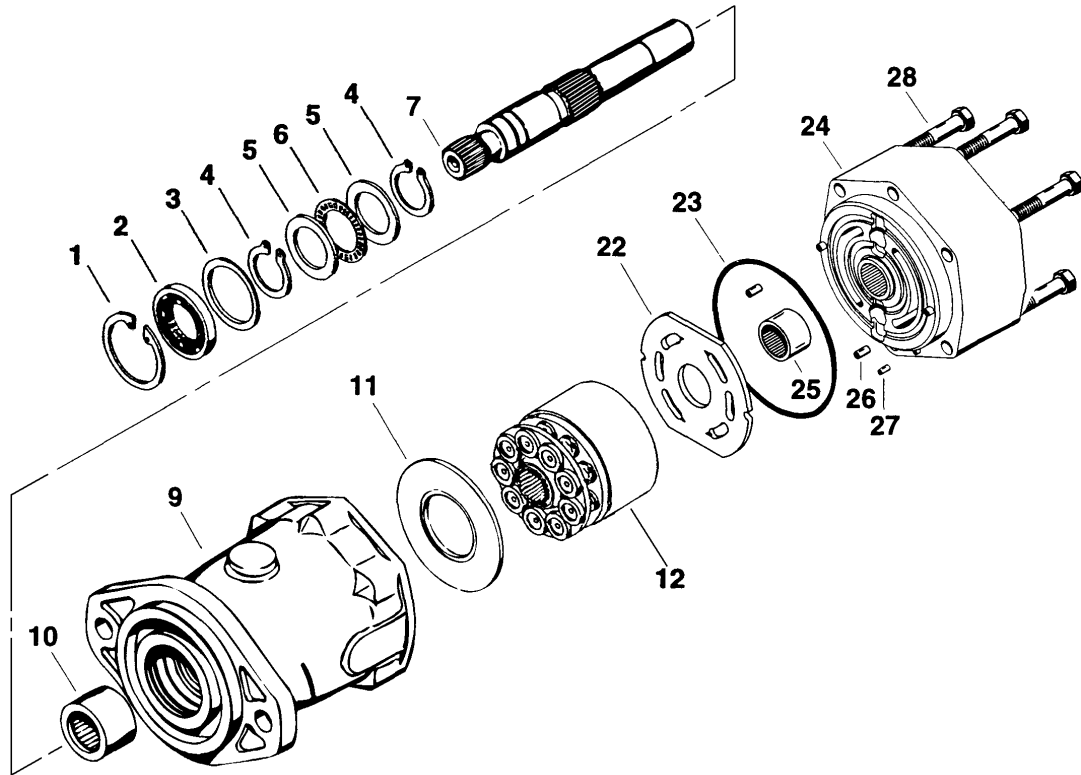
TWO SPEED DRIVE: WHEEL MOTOR ASSEMBLY

REF	PART NUMBER	DESCRIPTION	QTY	SERIAL NUMBER
1	REF ●■	DRIVE - power wheel, see page 105 or 107	2	
	REF ▲	DRIVE – power hub, see “Model RR Power Hub”, page 109.....	2	
2	30045	O-RING - power wheel to motor seal	2	
3	REF	MOTOR - hydraulic, see page 97	2	
4	30970	FITTING - elbow, 1-1/16 O-ring x 1 inch tube.....	4	
	30971	O-RING - for item 4.....	2	
5	30282	FITTING – elbow	2	
	50219	O-RING – for item 5.....	2	
6	111042	● SPACER – final drive	2	
7	111111	● BRACKET – speed sensor	1	
8	111219	KIT – speedometer sender, includes hardware A & C (see Note 1).....	1	
9	45786	MAGNET	1	
10	111057	PLATE – cap	4	
11	30939	FITTING – adapter.....	2	
12	30927	FITTING – elbow	2	
	50219	O-RING – for item 12.....	2	
13	REF ■	SUPPORT – brake band, see “Brakes”, page 113		
14	111196	■ BRACKET – speed sensor	1	
15	111439	▲ GUARD – speed sensor	1	
16	111338	▲ SPACER – final drive	2	
17	111438	▲ BRACKET – speed sensor	1	
A	45253	NUT – nylon, jam, 1/2 NC		
B	30664	BOLT – hex head, 5/8 NC x 2-1/4 inch.....		-134349
	112280	BOLT – hex head, 5/8 NF x 2-1/4 inch, Grade 8		134350-
C	18599	● WASHER – flat, 17/32 inch ID (see Note 1)		
D	21582	BOLT – hex head, 5/8 NC x 1-3/4 inch		
E	18666	NUT – lock, 5/8 NC		
F	18639	WASHER – lock, 5/8 inch ID		-134349
	30441	WASHER – hardened, 5/8 inch ID		134350-
G	18638	WASHER - lock, 1/2 inch ID		
J	21755	BOLT – flange head, 5/16 NC x 1/2 inch		
K	112202	BOLT – hex socket head, 1/2 NC x 1-3/4 inch		
L	21587	▲ BOLT – hex head, 5/8 NC x 2 inch		
M	101898	▲ SCREW – hex head, self tapping, 3/8 NC x 5/8 inch		
N	135025	▲ BOLT – hex head, 5/8 NF x 2-1/2 inch, grade 8		

NOTES: 1. For ■ & ▲ tractors, flat washers included with speedometer sender kit are NOT used.

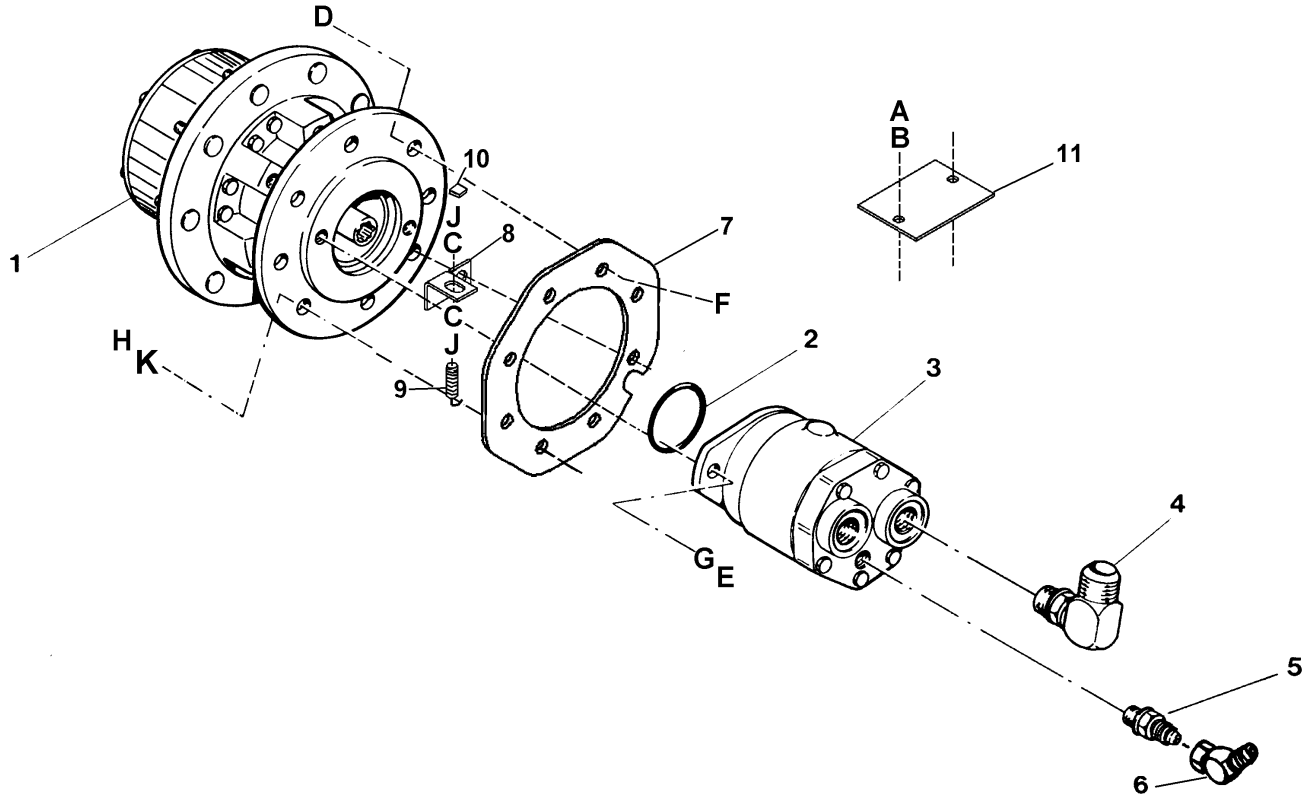
● - MacDon 9250/9350, Westward 9250/9350, Prairie Star 4940/4950, Premier 2940/2950, Harvest Pro 8140/8150
 ■ - MacDon 9352, Westward 9352, Prairie Star 4952, Premier 2952, Harvest Pro 8152
 ▲ - MacDon 9352i/9352c, Westward 9352i/9352ic, Prairie Star 4952i/4952c, Premier 2952i/2952c Harvest Pro 8152i/8152c

HYDRAULICS: SINGLE SPEED WHEEL MOTOR



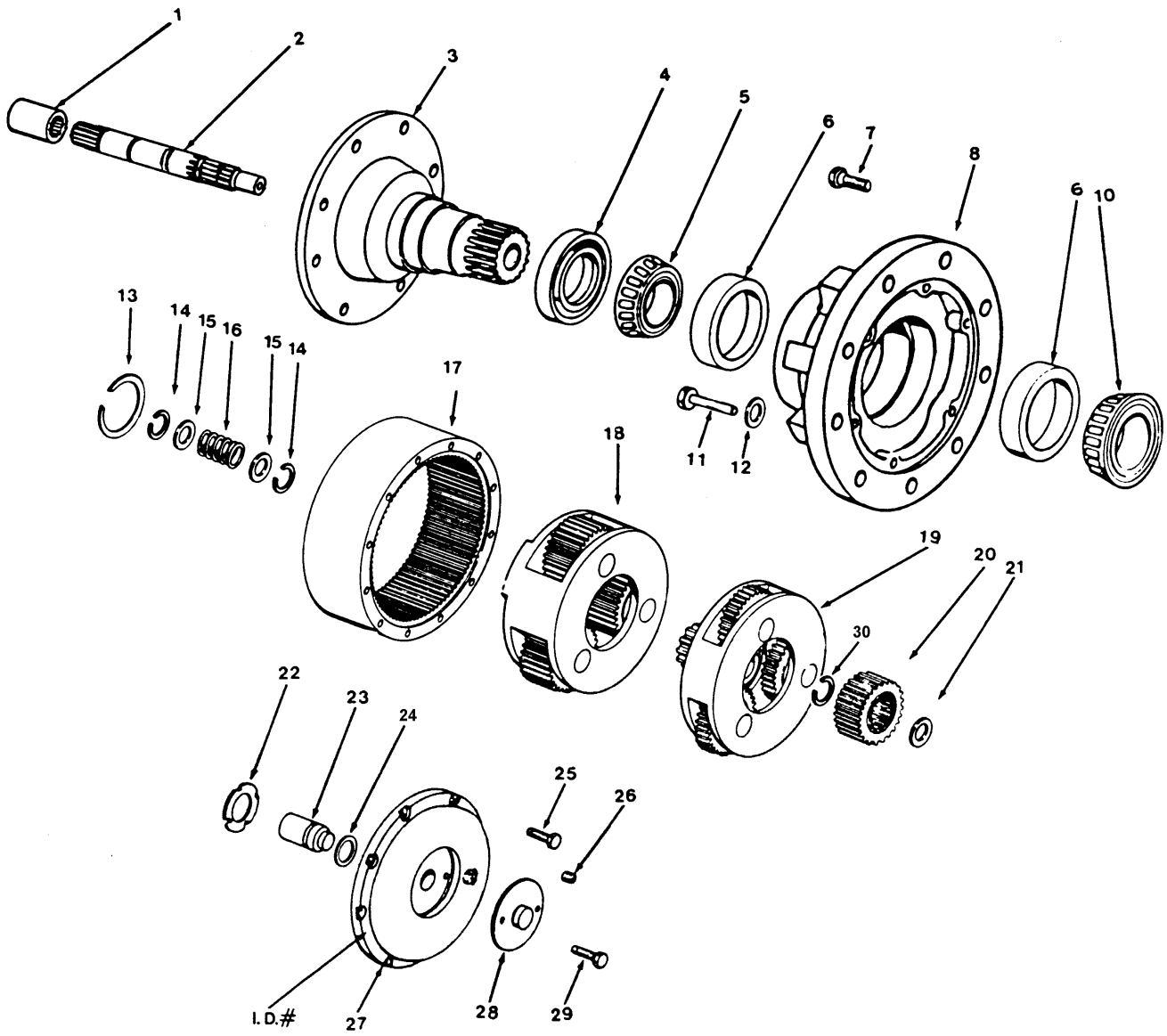
REF	PART NUMBER	DESCRIPTION	QTY	SERIAL NUMBER
..	45606	MOTOR – hydraulic, single speed.....	2	
	45610	SEAL KIT – hydraulic motor, includes items marked +		
1	18900	+ RING – retaining.....	1	
2	50217	+ SEAL – motor shaft.....	1	
4	30144	+ RING – retaining.....	2	
7	112490	SHAFT – drive, 13 tooth spline, .875 inch shaft.....	1	
10	21420	BEARING – needle.....	1	
23	30045	+ O-RING - motor, internal.....	1	
24	112491	BACKPLATE ASSEMBLY.....	1	
25	112493	BEARING – needle.....	1	

SINGLE SPEED DRIVE: WHEEL MOTOR ASSEMBLY



REF	PART NUMBER	DESCRIPTION	QTY	SERIAL NUMBER
1	REF	DRIVE - power wheel, see page 103	2	
2	30045	O-RING - power wheel to motor seal	2	
3	REF	MOTOR - hydraulic, single speed, see page 100	2	
4	21827	FITTING - elbow, 1-5/16 O-ring x 1 inch tube	4	
	50220	O-RING - for 1-5/16 fitting		
5	21030	FITTING - adapter, 3/4 O-ring x 3/8 inch tube	2	
	44209	O-RING - for 3/4 fitting		
6	30875	FITTING - 45° elbow, 3/8 inch tube	2	
7	111042	SPACER - final drive	2	
8	111111	BRACKET - speed sensor	1	
9	111219	KIT - speedometer sender (was 111211)	1	
10	45786	MAGNET	1	
11	111057	PLATE - cap	4	
A	21558	BOLT - hex head, 5/16 NC x 3/4 inch		
B	18636	WASHER - lock, 5/16 inch ID		
C	18599	WASHER - flat, 17/32 inch ID		
D	21594	BOLT - hex head, 5/8 NC x 1-1/2 inch		
E	21491	BOLT - hex head, 1/2 NC x 1-1/4 inch		
F	18666	NUT - lock, 5/8 NC		
G	18638	WASHER - lock, 1/2 inch ID		
H	21587	BOLT - hex head, 5/8 NC x 2 inch		-134349
	30861	BOLT - hex head, 5/8 NF x 2 inch, Grade 8		134350-
J	45253	NUT - nylon, jam, 1/2 NC		
K	18639	WASHER - lock, 5/8 inch ID		-134349
	30441	WASHER - hardened, 5/8 inch ID		134350-

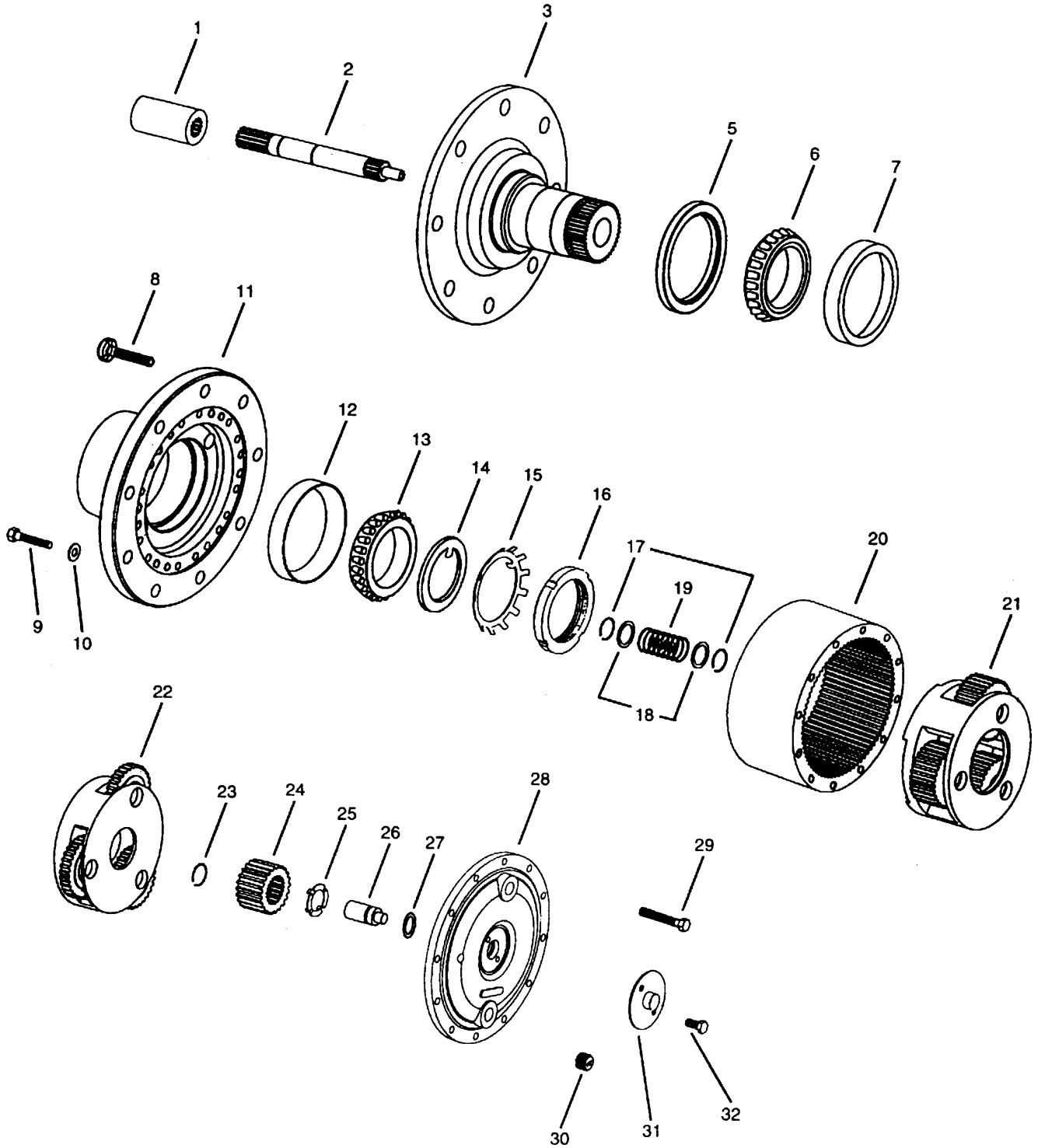
MODEL 6 POWER WHEEL SINGLE SPEED UNITS



**MODEL 6 POWER WHEEL
SINGLE SPEED UNITS**

REF	PART NUMBER	DESCRIPTION	QTY	SERIAL NUMBER
*	42001	DRIVE - power wheel, complete: Single-Speed Drive.....	2	
NOTE: Quantities below are per drive assembly.				
1	30181	COUPLING - 13 teeth.....	1	
2	30182	SHAFT - input.....	1	
3	30183	SPINDLE - drive.....	1	
4	30184	SEAL - oil.....	1	
5	30185	BEARING - cone.....	1	
6	30186	BEARING - cup.....	2	
7	21357	BOLT - wheel, 9/16 NF.....	9	
8	42769	HUB - power wheel.....	1	
10	30189	BEARING - cone.....	1	
11	30190	BOLT - hex head, 3/8 NF x 1-7/8 inch Grade 8.....	6	
12	30191	WASHER - flat.....	6	
13	30206	KIT - retaining ring, includes the following ring thicknesses: .107 - .105 inch - Orange..... .112 - .110 inch - Grey..... .117 - .115 inch - Dark Green..... .122 - .120 inch - Plain..... .127 - .125 inch - Brown..... .132 - .130 inch - Dark Blue..... .137 - .135 inch - Pink.....	1 1 1 1 1 1 1	
NOTE: Select appropriate ring to provide 0 to 0.006 end play.				
14	42765	RING - retaining.....	2	
15	30193	WASHER.....	2	
16	30194	SPRING - disengage.....	1	
17	42766	GEAR - ring.....	1	
18	30196	CARRIER ASSEMBLY - secondary.....	1	
19	42767	CARRIER ASSEMBLY - primary, power wheel 42001 only.....	1	
20	42768	GEAR - sun, primary, power wheel 42001 only.....	1	
21	30199	WASHER - thrust.....	1	
22	30200	WASHER - thrust.....	1	
23	30201	PLUNGER - disengage.....	1	
24	21873	O-RING.....	1	
25	21087	BOLT - hex head, 5/16 NC x 1 inch.....	8	-162249
	21526	BOLT - hex head, 5/16 NC x 1-1/4 inch.....	8	162250-
26	30203	PLUG - pipe, magnetic.....	1	
27	30204	COVER - large.....	1	-162249
	111090	COVER - large.....	1	162250-
28	30205	COVER - disengage.....	1	
29	21588	BOLT - hex head, 5/16 NC x 3/4 inch.....	2	
30	30192	RING - retaining.....	1	

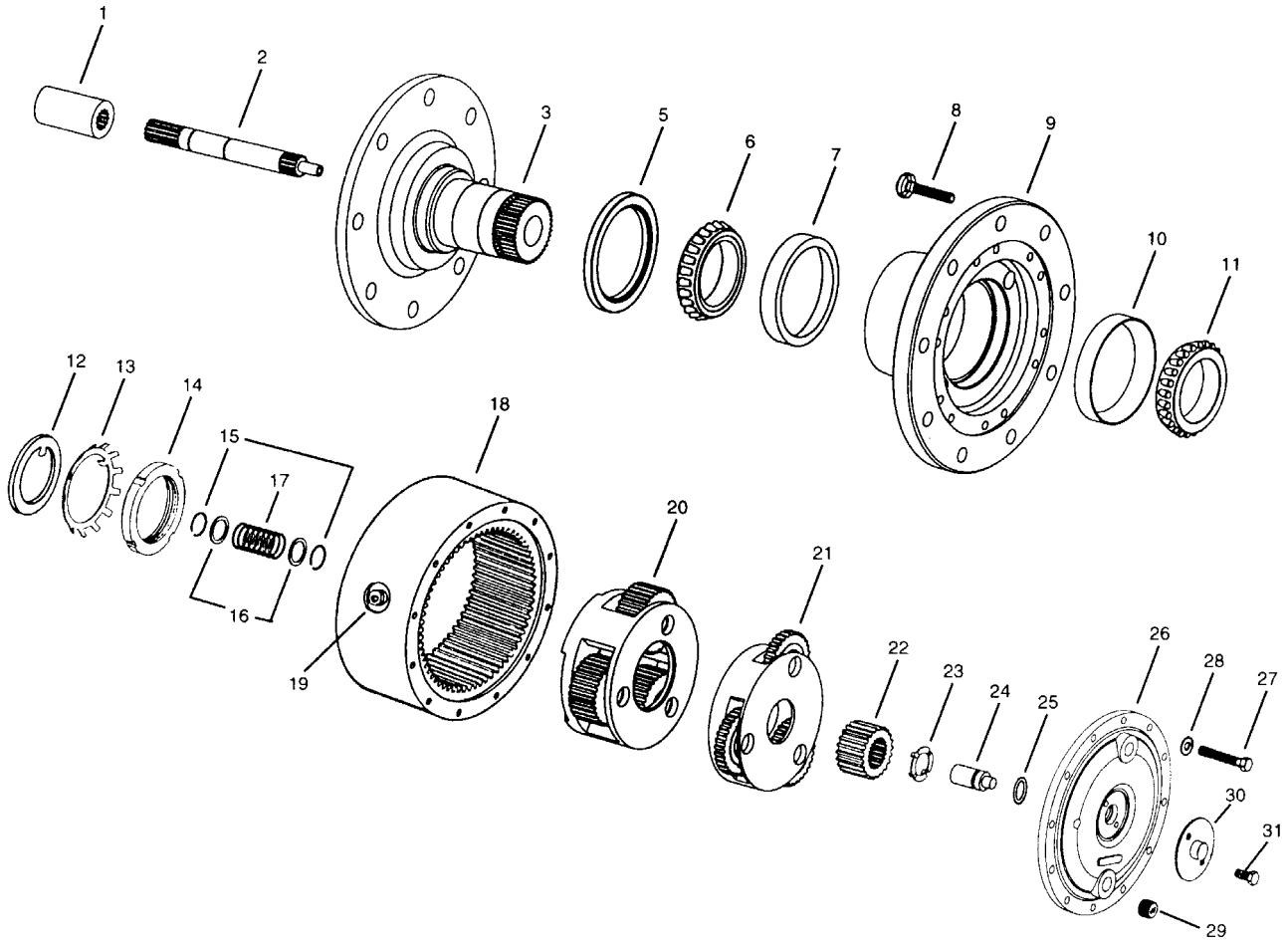
MODEL 7 POWER WHEEL
9350/4950/2950/8150 TWO-SPEED UNITS



**MODEL 7 POWER WHEEL
9350/4950/2950/8150 TWO-SPEED UNITS**

REF	PART NUMBER	DESCRIPTION	QTY	SERIAL NUMBER
*	111113	DRIVE - power wheel, complete: Two-Speed Drive..... Also includes brake components 45618, 45601 & 45619, (items 10-12 from pages 112,113) and O-ring 30045, (item 2 from page 99).	2	
NOTE: Quantities below are per drive assembly.				
1	30181	COUPLING - 13 teeth.....	1	
2	111101	SHAFT - input.....	1	
3	111092	SPINDLE - drive	1	
5	111106	SEAL - oil.....	1	
6	111110	BEARING - cone	1	
7	111109	BEARING - cup	1	
8	21357	BOLT - wheel, 9/16 NF	9	
9	30190	BOLT - hex head, 3/8 NF x 1-7/8 inch Grade 8	18	
10	30191	WASHER - flat.....	18	
11	111098	HUB - power wheel.....	1	
12	111107	BEARING - cup	1	
13	111108	BEARING - cone	1	
14	111102	WASHER – thrust.....	1	
15	111091	WASHER – lock	1	
16	111095	NUT – bearing	1	
17	42765	RING - retaining.....	2	
18	30193	WASHER.....	2	
19	30194	SPRING - disengage	1	
20	111096	GEAR - ring	1	
21	111104	CARRIER ASSEMBLY - secondary	1	
22	111103	CARRIER ASSEMBLY - primary.....	1	
23	111094	RING – retaining.....	1	
24	111097	GEAR - sun, primary.....	1	
25	30200	WASHER - thrust.....	1	
26	111093	PLUNGER - disengage	1	
27	111105	O-RING.....	1	
28	111090	COVER - large.....	1	
29	21526	BOLT - hex head, 5/16 NC x 1-1/4 inch	8	
30	30203	PLUG - pipe, magnetic	1	
31	30205	COVER - disengage	1	
32	111099	BOLT - hex head, 5/16 NC x 1/2 inch.....	2	
	111457	KIT – heavy-duty service, consists of: Secondary Carrier Assembly (item 21) Primary Carrier Assembly (similar to item 22) Primary Sun Gear (similar to item 24)		

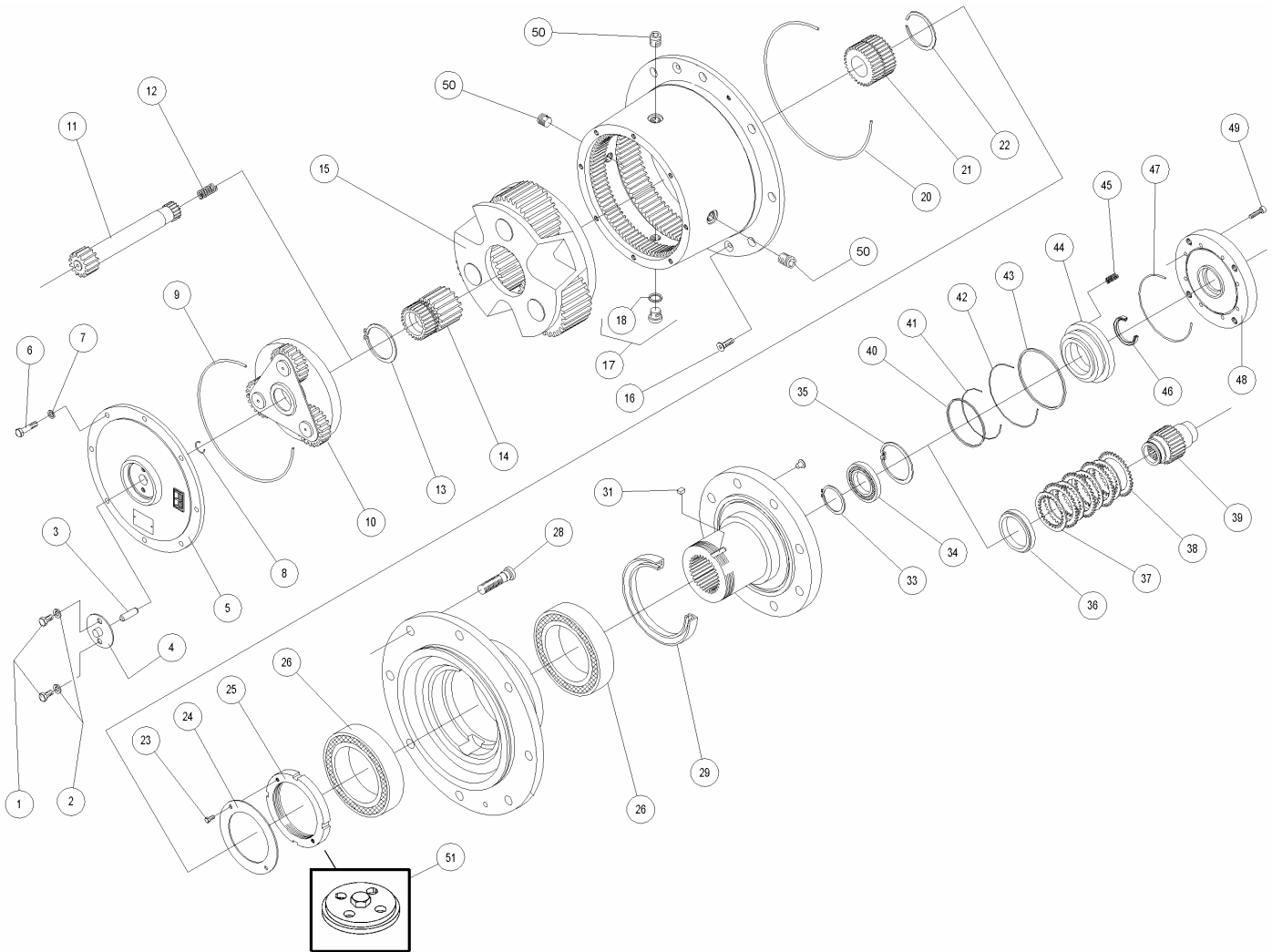
MODEL 8B POWER WHEEL 9352/4952/2952/8152 TWO-SPEED UNITS



**MODEL 8B POWER WHEEL
9352/4952/2952/8152 TWO-SPEED UNITS**

REF	PART NUMBER	DESCRIPTION	QTY 8B1 / 8B2	SERIAL NUMBER
*	111162	DRIVE - power wheel Model 8B1, Auburn #60001339, (34.2:1 gear ratio)..	2	-138989
*	111253	DRIVE – power wheel Model 8B2, Auburn #60001356, (37.89:1 gear ratio)	2	138990-
		NOTE: Quantities below are per drive assembly.		
1	30181	COUPLING - 13 teeth.....	1	
2	49865	SHAFT - input.....	1	
3	49878	SPINDLE - drive	1	
5	49885	SEAL - oil.....	1	
6	49884	BEARING - cone	1	
7	49883	BEARING - cup	1	
8	49880	BOLT - wheel, 5/8 NF x 2-3/8 inch, Grade 8	8	
9	49868	HUB - power wheel.....	1	
10	49882	BEARING - cup	1	
11	49881	BEARING - cone	1	
12	49877	WASHER – thrust.....	1	
13	49876	WASHER – lock	1	
14	49875	NUT – bearing	1	
15	49872	RING - retaining.....	2	
16	49867	WASHER - thrust.....	2	
17	49866	SPRING - disengage	1	
18	49869	GEAR - ring	1 / 0	-138989
	111258	GEAR – ring	0 / 1	138990-
19	30203	PLUG - pipe, magnetic	1	
20	49870	CARRIER ASSEMBLY - secondary	1 / 0	-138989
	111259	CARRIER ASSEMBLY – secondary	0 / 1	138990-
21	49871	CARRIER ASSEMBLY - primary.....	1 / 0	-138989
	111260	CARRIER ASSEMBLY – primary	0 / 1	138990-
22	49873	GEAR - sun, primary.....	1 / 0	-138989
	111261	GEAR – sun, primary.....	0 / 1	138990-
23	30200	WASHER - thrust.....	1	
24	111093	PLUNGER - disengage	1	
25	111105	O-RING.....	1	
26	49874	COVER - large.....	1	
27	49879	BOLT - hex head, 3/8 NC x 6-1/2 inch Grade 8	12	
28	30191	WASHER - flat.....	12	
29	50231	PLUG – pipe, hex socket, 1/4 NPT.....	1	
30	30205	COVER - disengage	1	
31	111099	BOLT - hex head, 5/16 NC x 1/2 inch.....	2	

MODEL RR POWER HUB
9352i/9352c, 4952i/4952c, 2952i/2952c, 8152i/8152c TWO-SPEED UNITS

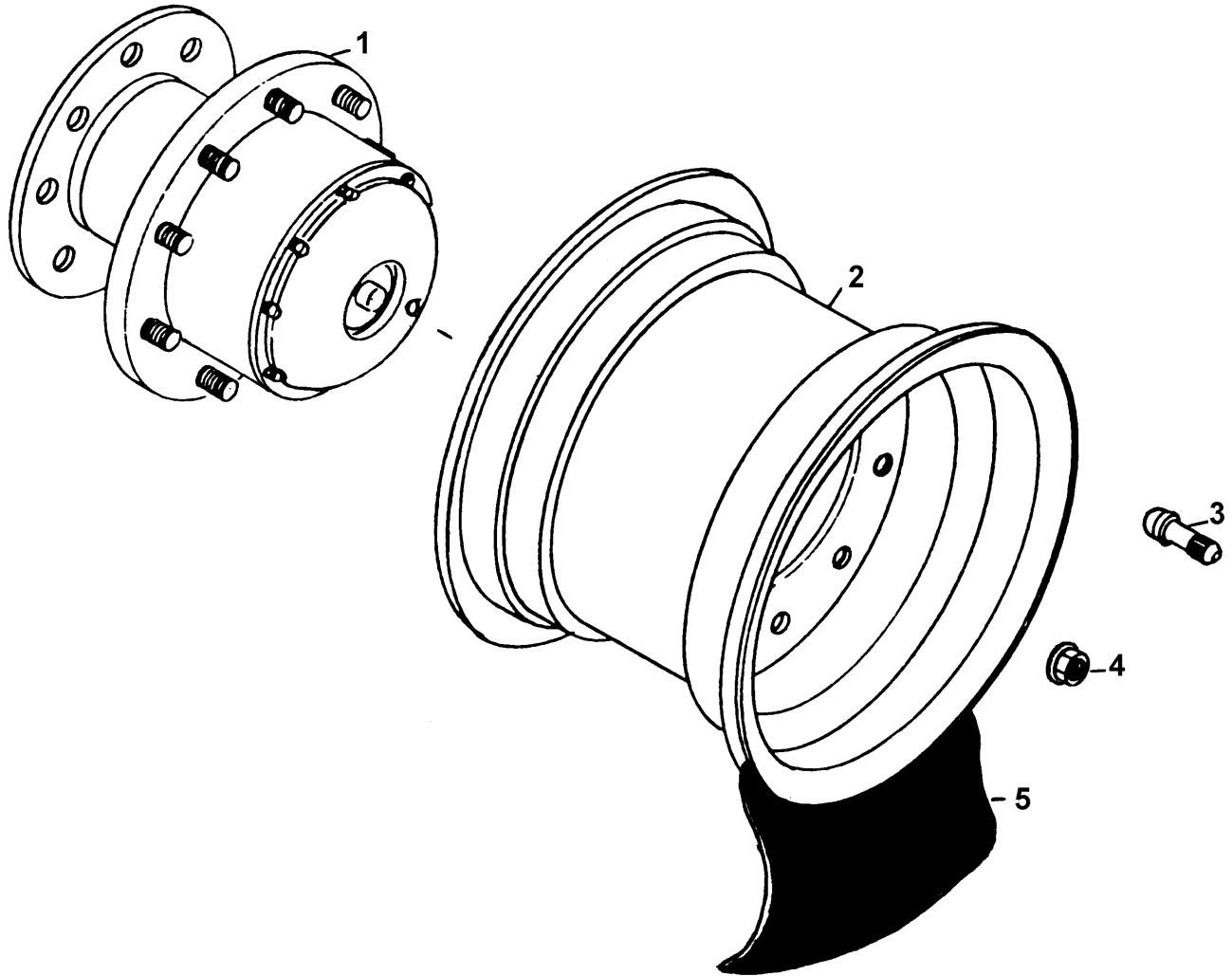


MODEL RR POWER HUB
9352i/9352c, 4952i/4952c, 2952i/2952c, 8152i/8152c TWO-SPEED UNITS

REF	PART NUMBER	DESCRIPTION	QTY	SERIAL NUMBER
*	111265	DRIVE - power hub, hydraulic brake (37.68:1 gear ratio) RR Transmissions, model RMN-810D (Includes items 1-49, see note 1: re item 17) NOTE: Quantities below are per drive assembly.	2	
1	111489	SCREW – M8x12 hex head	2	
2	30716	WASHER – lock, M8	2	
3	111488	PIN – cylindrical	1	
4	111474	COVER – disengagement	1	
5	111473	COVER – closing	1	
6	50140	SCREW – M8x30 hex head	8	
7	30634	WASHER – flat, M8	8	
8	**	O-RING – power hub	1	
9	167028**	O-RING – power hub	1	
10	111470	ASSEMBLY – planetary	1	
11	111472	SHAFT – pinion	1	
12	111477	SPRING – disengagement	1	
13	111483	RING – retaining, external	1	
14	111475	GEAR – sun	1	
15	111468	ASSEMBLY – planetary	1	
16	111491	SCREW – power hub	2	
17	111618	PLUG – magnetic, with washer seal item 18 (see note 1)	1	
18	111497	WASHER – power hub	1	
20	**	O-RING – power hub	1	
21	111471	COUPLING – power hub	1	
22	111490	RING – retaining	1	
23	111496	SCREW – power hub	2	
24	111476	SPACER – power hub	1	
25	111495	NUT – ring	1	
26	111434	BEARING – tapered roller	2	
28	111494	STUD – wheel mount	8	
29	111779	SEAL – shaft, combi-style	1	
31	111493	KEY – power hub	1	
33	111485	RING – retaining, external	1	
34	111435	BEARING – ball	1	
35	111484	RING – retaining, internal	1	
36	111499	SPACER – brake disc	1	
37	111432	DISC – steel, brake	8	
38	111433	DISC – sintered, brake	9	
39	111478	SHAFT – input	1	
40	**	RING – back up	1	
41	**	O-RING – power hub	1	
42	**	O-RING – power hub	1	
43	**	RING – back up	1	
44	111480	PISTON – brake	1	
45	111479	SPRING – brake	6	
46	**	SEAL – oil, power hub	1	
47	**	O-RING – power hub	1	
48	111481	FLANGE – motor	1	
49	111492	SCREW – power hub	8	
50	111469	PLUG – steel tap	3	
51	138002	TOOL – ring nut wrench	A/R	
**	111778	KIT – seal, power hub, includes all items marked ** NOTE: Does not include item 29.	1	

NOTE: 1) When replacing complete wheel drive unit, also order 1 of item 17, magnetic plug complete with washer and replace one steel plug (item 50) with magnetic plug & washer.

DRIVE WHEELS & TIRES

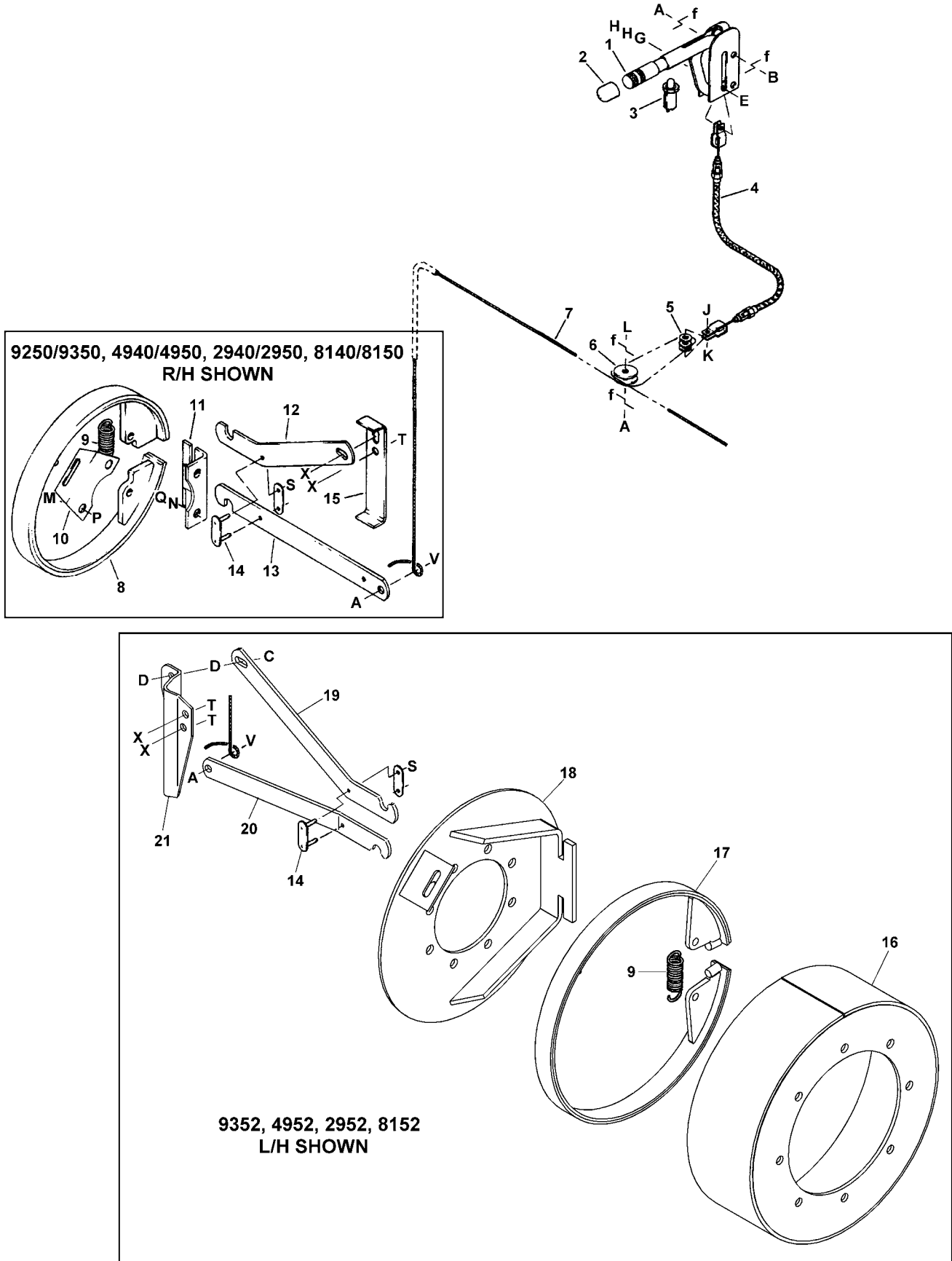


DRIVE WHEELS & TIRES

REF	PART NUMBER	DESCRIPTION	QTY	SERIAL NUMBER
1	REF	See "Power Wheel", page 103, 105 or 107	2	
2	111034	WHEEL - 16.1 x W16C	2	-134349
	111207	● WHEEL – 16.1 x W16C, with decal and wheel nuts 135003	2	134350-
	111222	■ WHEEL – 24 x 12, for 14.9-24 tire, with decals	2	
	111223	■ WHEEL – 24 x 15, for 19.5L-24 and radial R24 tires, with decals	2	-150558
	111373	■ WHEEL – 24 DW-16L, for 560-65D24 and radial R24 tires, with decals	2	
3	21153	STEM – valve, used with wheels 111034, 111207 and 111222	2	
	112475	STEM – valve, used with wheels 111223 and 111373	2	
4	21358	NUT - wheel, 9/16 NF	18	-134349
	135003	● NUT – flange, 9/16 NF	18	134350-
	111179	■ NUT – flange, 5/8 NF	16	
5	111144	● TIRE – 21.5L-16.1, I-2: Goodyear 10 ply, "Sof Trac II" turf tread	2	
	111145	● TIRE – 21.5L-16.1, R-3: Firestone 10 ply, "Turf & Field" turf tread	2	
	112146	● TIRE - 21.5L-16.1, I3: Goodyear 12 ply "Sure Grip" traction (bar) tread	2	
	111203	■ TIRE – 14.9-24, R-4: Goodyear 12 ply bar tread	2	
	111205	■ TIRE – 19.5L-24, R-4: Goodyear 8 ply bar tread	2	-150558
	111206	■ TIRE – 19.5L-24, I-2: Goodyear 10 ply, "Sof Trac II" turf tread	2	-150558
	111372	■ TIRE – 560-65D24, Goodyear "Sof Trac II" turf tread	2	
	111251	■ TIRE – radial 540-65R24, deep bar tread: Michelin	2	
	111252	■ TIRE – radial 540-65R24, deep bar tread: Firestone	2	
	111795	■ TIRE – radial 540-65R24, deep bar tread: Goodyear	2	
	111254	■ TIRE – radial 500-70R24, bar tread: Goodyear	2	

● - MacDon 9250/9350, Westward 9250/9350, Prairie Star 4940/4950, Premier 2940/2950, Harvest Pro 8140/8150
 ■ - MacDon 9352i/9352c, Westward 9352i/9352ic, Prairie Star 4952i/4952c, Premier 2952i/2952c
 Harvest Pro 8152i/8152c

BRAKE ASSEMBLY – CUMMINS ENGINE TRACTORS (except xx52c models)

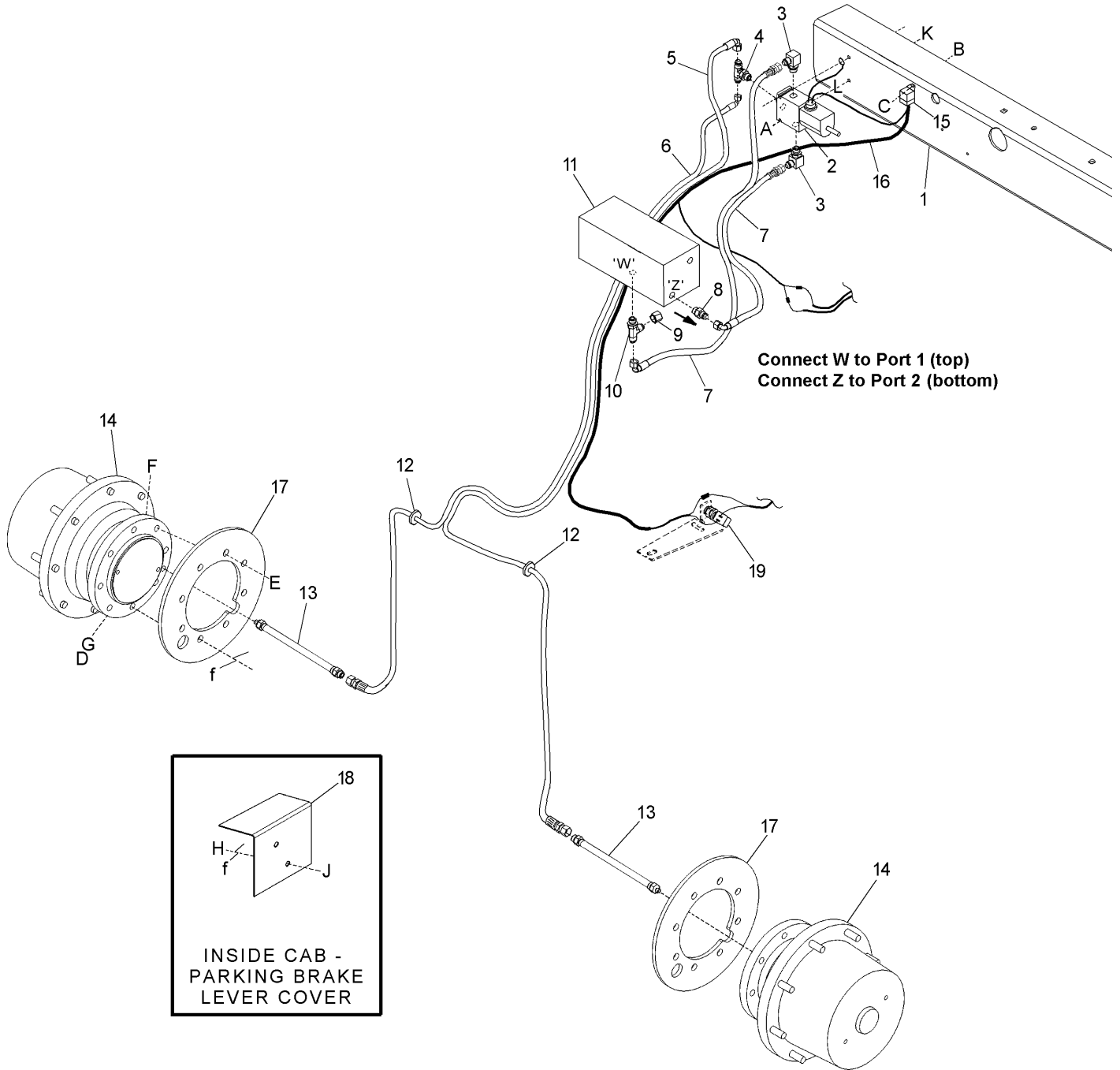


BRAKE ASSEMBLY – CUMMINS ENGINE TRACTORS (except xx52c models)

REF	PART NUMBER	DESCRIPTION	QTY	SERIAL NUMBER
1	42034	LEVER ASSEMBLY - brake, with spacers	1	
2	42202	GRIP - orange.....	1	
3	21943	SWITCH - electrical	1	
4	42496	CABLE ASSEMBLY	1	
5	18598	WASHER - flat.....	3	
6	16652	WASHER - flat.....	2	
7	44305	CABLE - wire	1	
8	45630	● BAND ASSEMBLY – brake	2	
9	25321	SPRING - extension	2	
10	45618	● SUPPORT - brake band	2	
11	45601	● BRACKET - brake band	2	
12	45964	● LEVER – upper (was 45619).....	2	
13	45965	● LEVER – lower (was 44321)	2	
14	30579	LINK - connector.....	2	
15	44322	● BAR - support.....	2	
16	111186	■ DRUM – brake	2	
17	111184	■ BAND ASSEMBLY – brake	2	
18	111192	■ SUPPORT – brake band, left	1	
	111193	■ SUPPORT – brake band, right	1	
19	112281	■ LEVER – upper.....	2	
20	111198	■ LEVER – lower, left	1	
	112282	■ LEVER – lower, right	1	
21	111199	■ SUPPORT – lever, left.....	1	
	112283	■ SUPPORT – lever, right	1	
A	30228	NUT - lock, smooth flange, 3/8 NC distorted thread		
B	21470	BOLT - round head, square neck, 3/8 NC x 2 inch		
C	21491	BOLT – hex head, 1/2 NC x 1-1/4 inch		
D	21056	NUT – hex jam, 1/2 NC		
E	21488	BOLT - round head, square neck, 5/16 NC x 1-3/4 inch		
G	18597	WASHER - flat, 11/32 inch I.D.		
H	18589	NUT - hex, 5/16 NC		
J	21558	BOLT - hex head, 5/16 NC x 3/4 inch		
K	18690	NUT - lock, 5/16 NC distorted thread		
L	19966	BOLT - round head, square neck, 3/8 NC x 1-1/4 inch		
M	21594	BOLT – hex head, 5/8 NC x 1-1/2 inch – Single Speed Units		
	21582	BOLT - hex head, 5/8 NC x 1-3/4 inch – Two Speed Units		
N	18639	WASHER - lock, 5/8 inch ID		-134349
	30441	WASHER – hardened, 5/8 inch ID		134350-
P	18666	NUT - lock, 5/8 NC, distorted thread		
Q	21587	BOLT – hex head, 5/8 NC x 2 inch – Single Speed Units		-134349
	30861	BOLT – hex head, 5/8 NF x 2 inch, Grade 8 – Single Speed Units.....		134350-
	30664	BOLT – hex head, 5/8 NC x 2-1/4 inch – Two Speed Units		-134349
	112280	BOLT – hex head, 5/8 NF x 2-1/4 inch, Grade 8 – Two Speed Units.....		134350-
S	21256	NUT - spring, 1/4 inch		
T	18697	NUT - lock, 1/2 NC distorted thread		
V	21821	BOLT - flange head, 3/8 NC x 3/4 inch		
X	REF	BOLT - welded to tractor leg		
~ f	REF	Indicates where hardware passes through frame member.		

● - MacDon 9250/9350, Westward 9250/9350, Prairie Star 4940/4950, Premier 2940/2950, Harvest Pro 8140/8150
 ■ - MacDon 9352, Westward 9352, Prairie Star 4952, Premier 2952, Harvest Pro 8152

BRAKE ASSEMBLY – XX52i & XX52c TRACTORS

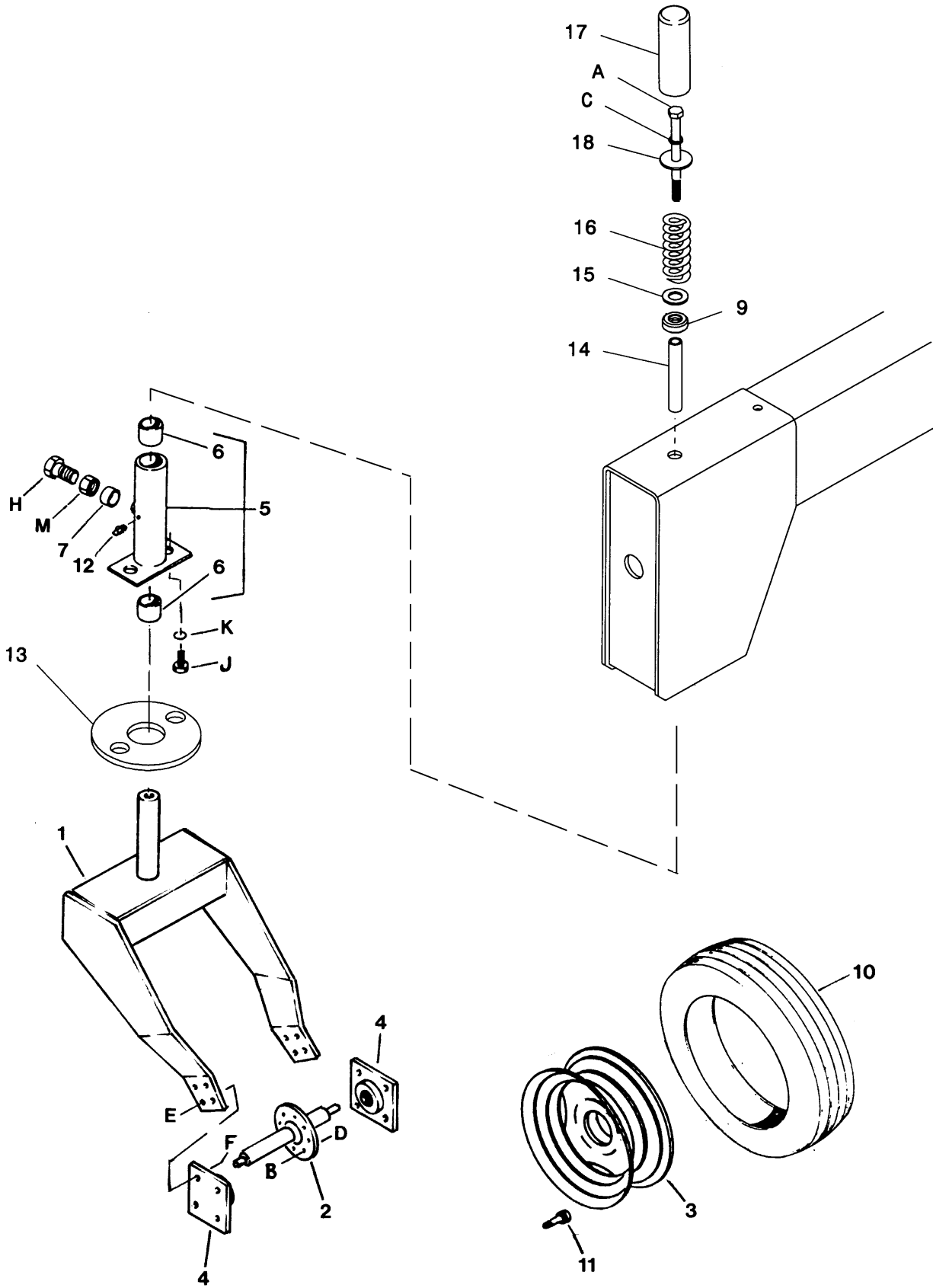


BRAKE ASSEMBLY – XX52i & XX52c TRACTORS

REF	PART NUMBER	DESCRIPTION	QTY	SERIAL NUMBER
1	REF	FRAME – cross member (not serviced)	1	
2	111345	VALVE – brake release valve (includes block, valve, & coil).....	1	
	45114	VALVE – 3W 2P (port S-2).....	1	
	111225	COIL – DS, 12VDC (was 45104).....	1	
	45103	KIT – SEAL – for valve	1	
3	30282	FITTING – hydraulic, elbow	2	
4	30874	FITTING – hydraulic, tee	1	
5	111341	HOSE – hydraulic	1	
6	111342	HOSE - hydraulic.....	1	
7	111340	HOSE - hydraulic.....	2	
8	112997	FITTING – check valve	1	
9	30813	FITTING – hydraulic, cap.....	1	
10	30286	FITTING – hydraulic, tee	1	
11	REF	VALVE – cylinder control block, with reel lift	1	
12	112520	GROMMET – rubber.....	2	
13	111339	HOSE – hydraulic	2	
14	111265	DRIVE – power hub, see “RR Power Hub” page 109 for service parts	2	
15	30215	RELAY – electrical.....	1	
16	111343	HARNES – electrical (for brake release valve item 2) (see Note 1).....	1	145321-145324
17	111338	SPACER – plate, (between leg and power hub)	2	
18	109253	COVER – parking brake lever mount	1	
19	REF	SWITCH – neutral, see “Neutral Interlock & Pintle Arms”	1	
A	30638	BOLT – hex head, 1/4 NC x 2-1/4 inch		
B	18588	NUT – hex, 1/4 NC		
C	21572	BOLT – hex head, 1/4 NC x 3/4 inch		
D	135025	BOLT – hex head, 5/8 NF x 2-1/2 inch		
E	21587	BOLT – hex head, 5/8 NC x 2 inch		
F	18666	NUT – hex, lock, 5/8 NC		
G	30441	WASHER – hardened, 5/8 inch ID		
H	21863	BOLT – round head, square neck, 3/8 NC x 3/4 inch		
J	18590	NUT – hex, lock, 3/8 NC		
K	21455	NUT – lock, serrated flange, 1/4 NC		
L	18596	WASHER – flat, 9/32 inch ID		

NOTES: 1. Brake wiring harness has been added into main tractor wiring harness for serial numbers 145324 and newer.

9250/9350, 4940/4950, 2940/2950, 8140/8150 TRACTOR
16.5 FORKED CASTERS



**9250/9350, 4940/4950, 2940/2950, 8140/8150 TRACTOR
16.5 FORKED CASTERS**

REF	PART NUMBER	DESCRIPTION	QTY	SERIAL NUMBER
1	44748	CASTER - forked, for 16.5 tires	2	
2	107006	SHAFT – spindle (was 44760), includes nuts 21358 (8)	2	-138024*
	107197	SHAFT – spindle, includes bolts “D”	2	138025-*
3	45297	WHEEL - 16.1 x W11C, for 16.5 tire (with 3-1/16” offset mounting).....	2	-138024*
	111216	WHEEL – 16.1 x W11C, for 16.5 tire (with 1-1/2” offset mounting).....	2	138025-*
4	42038	BEARING ASSEMBLY - flange with bearing.....	4	-138024
	107200	BEARING ASSEMBLY – flange with bearing.....	4	138025-
	21859	BEARING - insert for assembly 42038 or 107200	4	
5	25575	PIVOT - caster, with bushings	2	
6	25579	BUSHING	4	
7	4267	SPACER.....	2	
9	21215	BEARING - thrust	2	
10	39273	TIRE - 16.5L-16.1, eight ply I1 Rib Implement.....	2	
11	21153	STEM - valve	2	
12	18671	FITTING - lube.....	2	
13	112002	PLATE - friction	2	
14	35298	SPACER - tube.....	2	
15	18601	WASHER - flat, 13/16 inch I.D.....	2	
16	112003	SPRING - compression	2	
17	112008	CAP - plastic.....	2	
18	42592	WASHER - flat.....	2	
	B 1570	KIT - anti-shimmy, includes two each of items 13 to 18 and hardware A and C. (Kit available through WholeGoods only)		
A	30267	BOLT - hex head, 1/2 NC x 6 inch		
B	21469	BOLT - round head, square neck 1/2 NC x 1-1/2 inch		-138024
	21358	NUT – wheel, 9/16 NF		138025-
C	18638	WASHER - lock, 1/2 inch ID		
D	50186	NUT - lock, smooth flange, 1/2 NC distorted thread.....		-138024
	21357	BOLT – wheel, 9/16 NF x 1-7/8 inch		138025-
E	21565	BOLT – hex head, 1/2 NC x 1-3/4 inch		
F	18697	NUT – lock, 1/2 NC, distorted thread		
H	30833	BOLT - hex head, 1/2 NC x 2-1/4 inch		
J	21594	BOLT - hex head, 5/8 NC x 1-1/2 inch		
K	18639	WASHER - lock, 5/8 inch ID		
M	18591	NUT - hex, 1/2 NC		

* **NOTE:** For units with Serial Numbers in the following ranges:

142748 – 142757

142872 – 142878

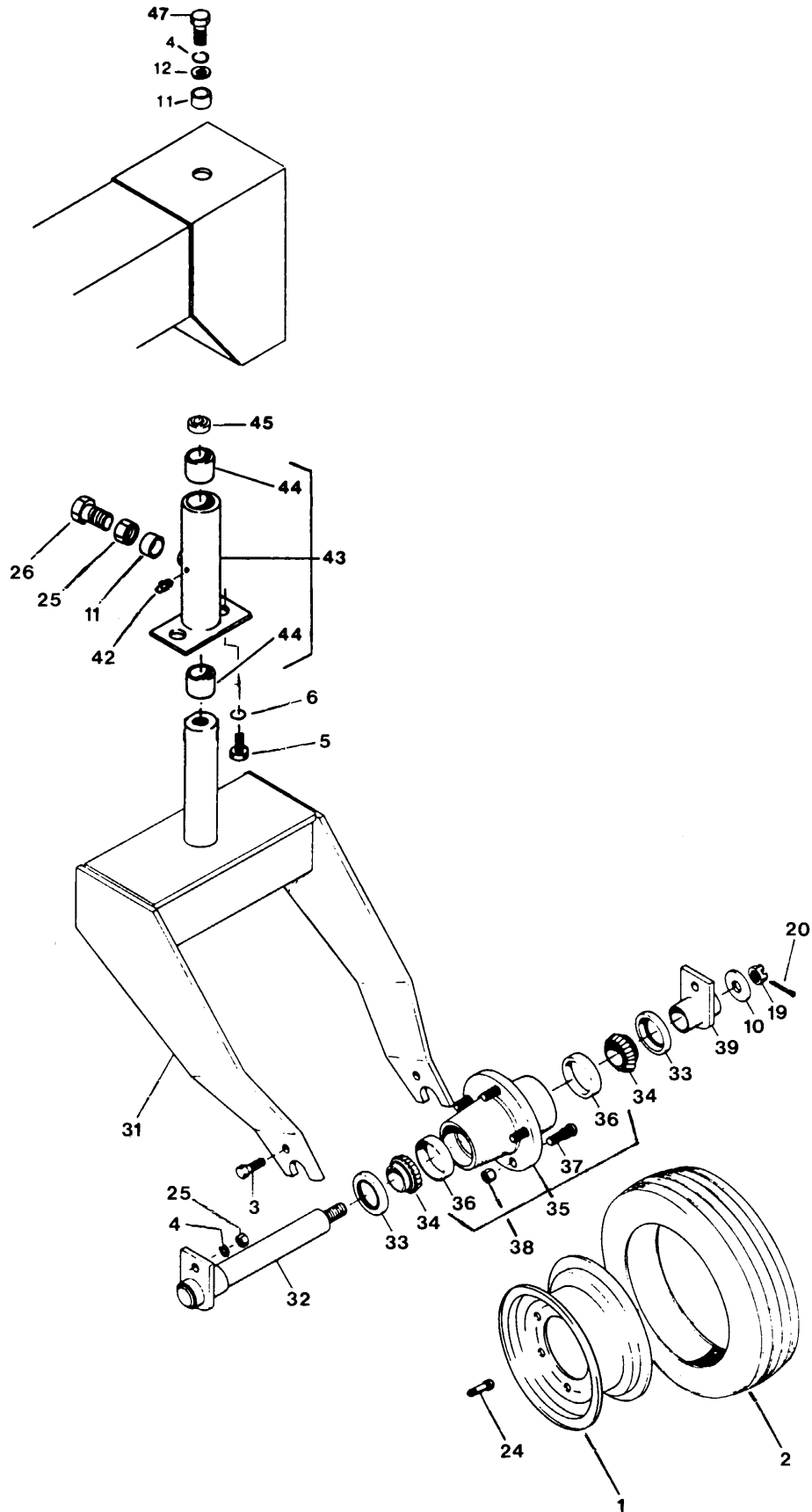
142882

142888 – 142895

142955 – 142974

When replacing items 2 or 3, order 107006 SHAFT or 45297 WHEEL respectively. Always maintain the following pairings: Shaft 107006 must be used with wheel 45297, and shaft 107197 must be used with wheel 111216.

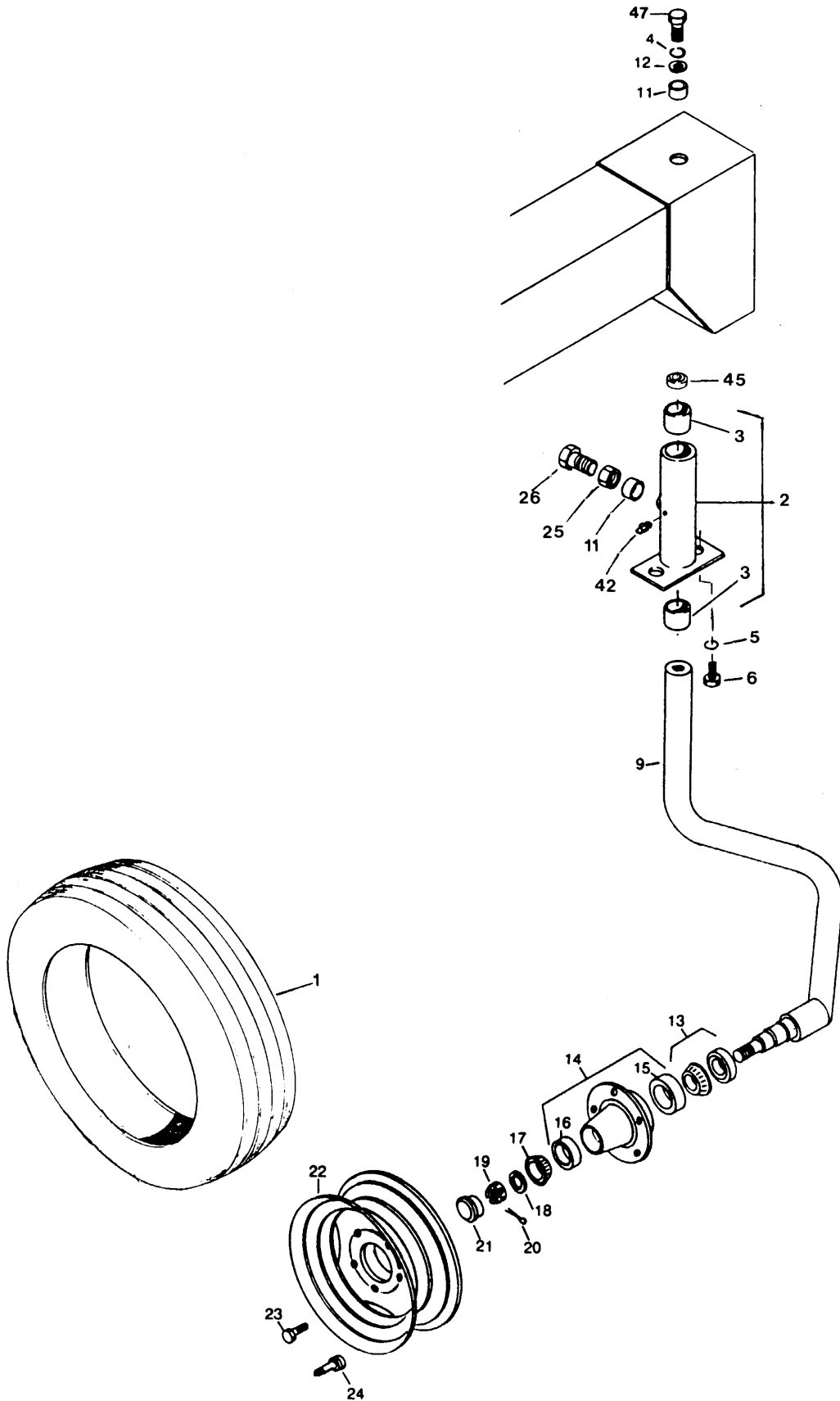
9250/9350, 4940/4950, 2940/2950, 8140/8150 TRACTOR
9.5 FORKED CASTERS



**9250/9350, 4940/4950, 2940/2950, 8140/8150 TRACTOR
9.5 FORKED CASTERS**

REF	PART NUMBER	DESCRIPTION	QTY	SERIAL NUMBER
1	30445	WHEEL - 14 X 8KB, for 9.5 tire	2	
2	30446	TIRE - 9.5L-14, six ply I1 Rib Implement	2	
3	18723	BOLT - hex head, 1/2 NC x 1-1/2 inch	4	
4	18638	WASHER - lock, 1/2 inch	6	
5	21594	BOLT - hex head, 5/8 NC x 1-1/2 inch	4	
6	18639	WASHER - lock, 5/8 inch	4	
10	6647	WASHER - flat	2	
11	4267	SPACER	4	
12	4761	WASHER	2	
19	5512	NUT - slotted hex, 3/4 NF	2	
20	18648	PIN - cotter, 3/16 x 1-1/4	2	
24	21395	STEM - valve	2	
25	18591	NUT - hex, 1/2 NC	6	
26	30833	BOLT - hex head, 1/2 NC x 2-1/4 inch thread full length	2	
31	25699	CASTER - forked	2	
32	25565	SHAFT	2	
33	30436	SEAL	4	
34	30435	BEARING - cone	4	
35	30434	HUB - with bearing cups and studs	2	
36	616	BEARING - cup	4	
37	30187	STUD - press in, 1/2 NF x 1-7/8 inch	10	
38	21838	NUT - wheel, 1/2 NF	10	
39	25560	TUBE - mounting	2	
42	18671	FITTING - lube	2	
43	25575	PIVOT - caster, with bushings	2	
44	25579	BUSHING - steel	4	
45	21215	BEARING - thrust	2	
47	21565	BOLT - hex head, 1/2 NC x 1-3/4 inch	2	

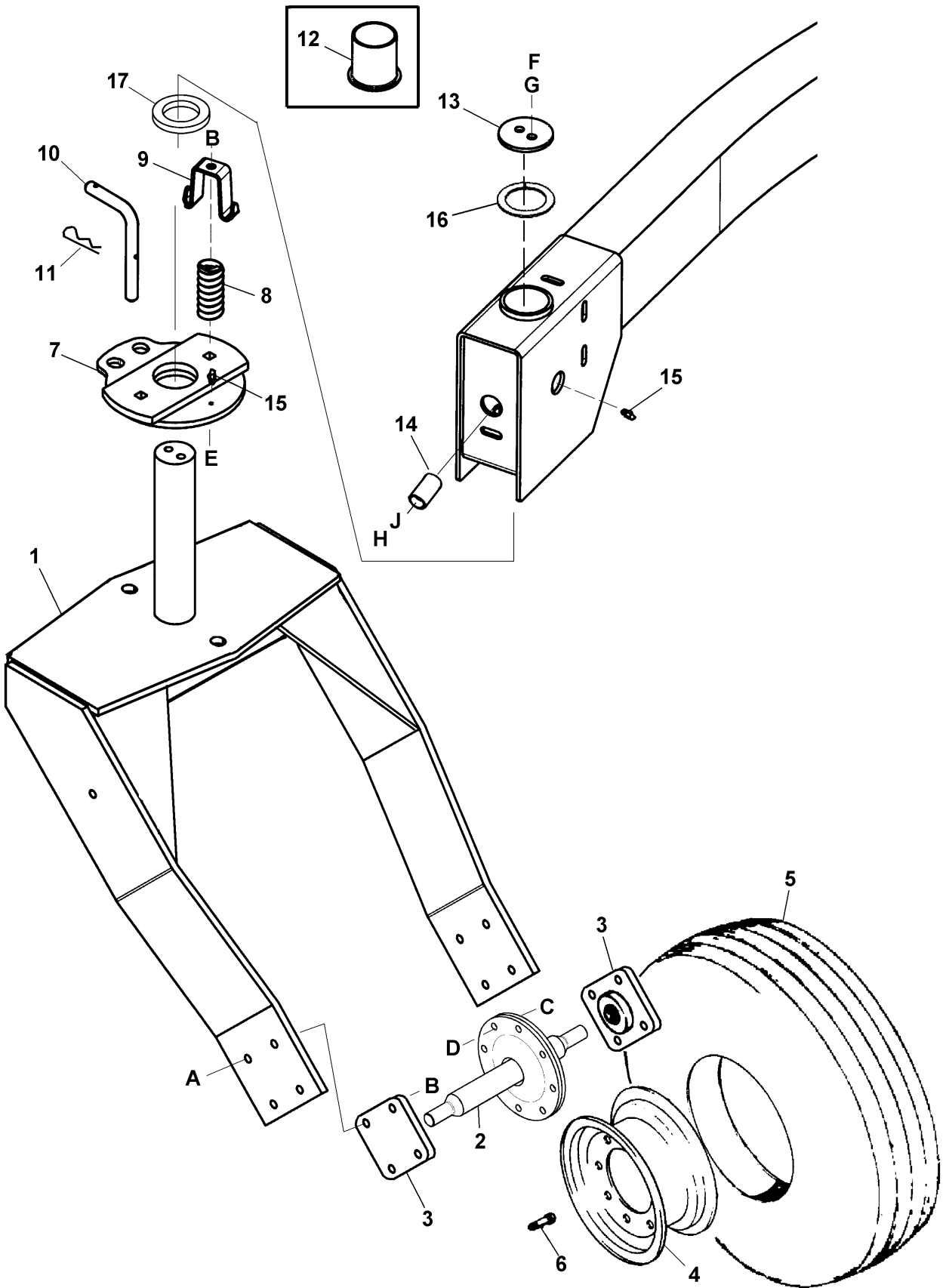
9250/9350, 4940/4950, 2940/2950, 8140/8150 TRACTOR
FORMED CASTERS



**9250/9350, 4940/4950, 2940/2950, 8140/8150 TRACTOR
FORMED CASTERS**

REF	PART NUMBER	DESCRIPTION	QTY	SERIAL NUMBER
1	30446	TIRE - 9.5L-14, six ply I1 Rib Implement.....	2	
2	25575	PIVOT - caster, includes bushings, item 3	2	
3	25579	BUSHING - steel	4	
4	18638	WASHER - lock, 1/2 inch.....	2	
5	18639	WASHER - lock, 5/8 inch.....	4	
6	21594	BOLT - hex head, 5/8 NC x 1-1/2 inch	4	
9	24280	CASTER - formed.....	2	
11	4267	SPACER.....	4	
12	4761	WASHER.....	2	
13	7910	BEARING - cone, with seal	2	
14	21686	HUB - with bearing cups	2	
15	7900	BEARING - inner cup	2	
16	7909	BEARING - outer cup	2	
17	7920	BEARING - cone	2	
18	18601	WASHER - flat, 13/16 inch ID.....	2	
19	5512	NUT - slotted hex, 3/4 NF	2	
20	18648	PIN - cotter, 3/16 x 1-1/4 inch	2	
21	21687	CAP - dust	2	
22	30445	WHEEL - 14 x 8 KB, for 9.5 tire	2	
23	21719	BOLT - wheel.....	10	
24	21395	STEM - valve	2	
25	18591	NUT - hex, 1/2 NC	2	
26	30833	BOLT - hex head, 1/2 NC x 2-1/4 inch thread full length.....	2	
42	18671	FITTING - lube.....	2	
45	21215	BEARING - thrust	2	
47	21565	BOLT - hex head, 1/2 NC x 1-3/4 inch	2	

9352/4952/2952/8152 (INCLUDING "i"& "c" MODEL) TRACTORS
FORKED CASTERS

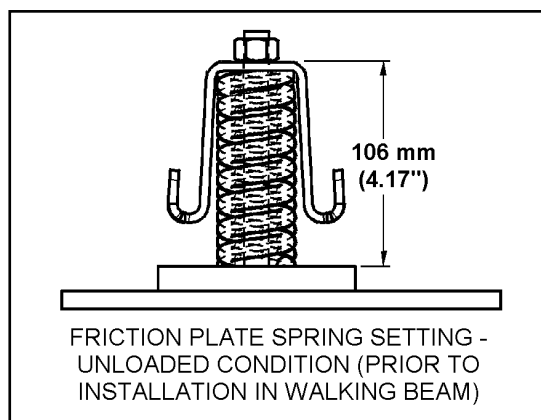


**9352/4952/2952/8152 (INCLUDING "i"& "c" MODEL) TRACTORS
FORKED CASTERS**

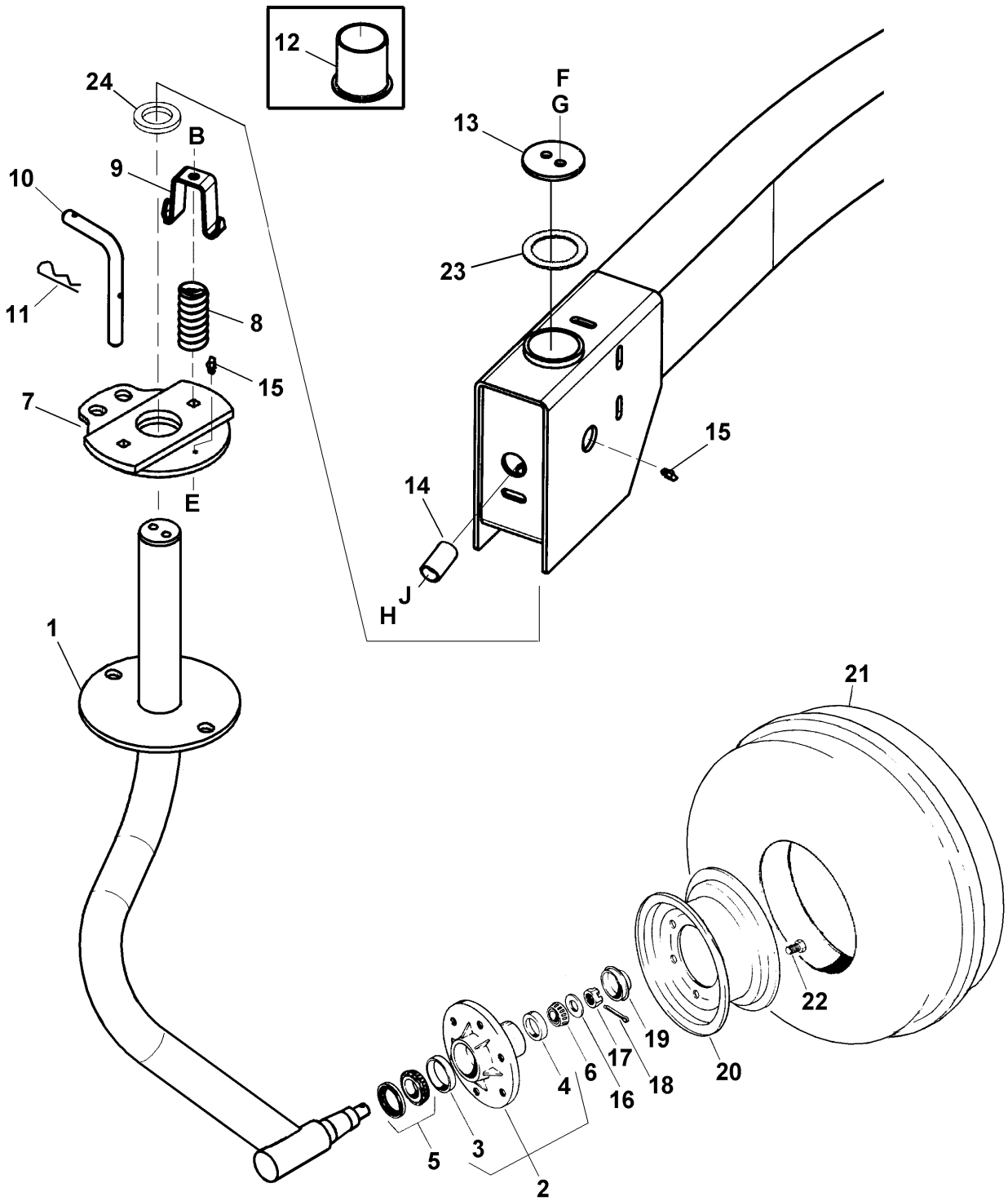
REF	PART NUMBER	DESCRIPTION	QTY	SERIAL NUMBER
1	107192	CASTER - forked.....	2	
2	107197	SHAFT – spindle, includes bolts “C”.....	2	see note 1
	107006	SHAFT - spindle, for wheel 45297 only, includes 21358 nuts (8).....	2	-138024
3	107200	BEARING ASSEMBLY - flange with bearing.....	4	
	21859	BEARING - insert for assembly 107200.....	4	
4	107208	WHEEL – 16 x W10L, for 11-16 tire.....	2	
	45297	WHEEL - 16.1 x W11C, with 3-1/16" offset mounting, for 16.5 tire.....	2	-138024
	111216	WHEEL – 16.1 x W11C, with 1-1/2" offset mounting, for 16.5 tire.....	2	138025-
5	111204	TIRE - 11-16, 8 ply F-2M Rib Implement, does not include inner tube.....	2	
	111224	TUBE – inner, for tire 111204.....	2	
	39273	TIRE - 16.5L-16.1, 8 ply I1 Rib Implement.....	2	
6	21153	STEM - valve.....	2	
7	107188	PLATE – friction.....	2	
8	112003	SPRING – compression, see note 2.....	4	
9	107191	BRACKET – spring, see note 2.....	4	
10	107196	PIN – L, caster lock.....	2	
11	13125	PIN – hair.....	2	
12	107194	TUBE – flared.....	4	-156149
13	107195	DISK – cap.....	2	
14	19508	SPACER.....	2	
15	18671	FITTING - lube.....	4	
16	110584	WASHER – hardened, 3-1/4 IN. OD x 2-1/2 IN. ID.....	2	156150-
17	107551	SEAL – foam.....	2	156150-
A	21565	BOLT – hex head, 1/2 NC x 1-3/4 inch		
B	18697	NUT – lock 1/2 NC distorted thread		
C	21357	BOLT – wheel, 9/16 NF x 1-7/8 inch		
	21469	BOLT - round head, square neck 1/2 NC x 1-1/2 inch.....		-138024
D	21358	NUT – wheel, 9/16 NF		
	50186	NUT - lock, smooth flange, 1/2 NC distorted thread.....		-138024
E	136001	BOLT – round head, square neck, 1/2 NC x 5-1/4 inch		
F	21575	BOLT – hex head, 1/2 NC x 1 inch		
G	18638	WASHER – lock, 1/2 inch ID		
H	30299	BOLT – hex head, 1/2 NC x 4 inch		
J	18591	NUT – hex, 1/2 NC		

NOTES: 1. For item 2 – 107197 SHAFT: used for all production of 11-16 tire units, and serial number 138025 & up for 16.5 tire units.

2. When replacing parts in friction plate spring assembly, tighten nut only enough to achieve dimension shown below.



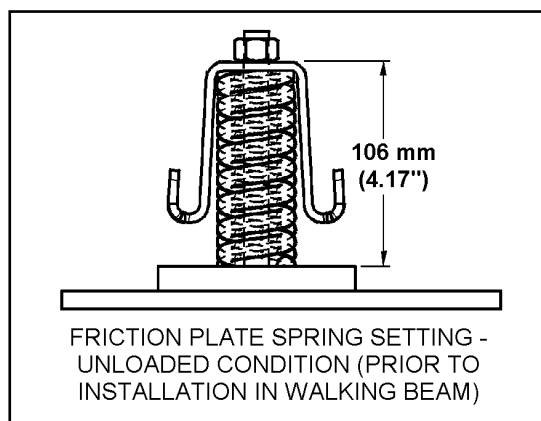
9352/4952/2952/8152 (INCLUDING "i"& "c" MODEL) TRACTORS
FORMED CASTERS



**9352/4952/2952/8152 (INCLUDING "i"& "c" MODEL) TRACTORS
FORMED CASTERS**


REF	PART NUMBER	DESCRIPTION	QTY	SERIAL NUMBER
1	112433	CASTER – formed left	1	
	112428	CASTER - formed, right.....	1	
2	41982	HUB - with cups, items 3 and 4	2	
3	30516	BEARING - cup, inner	2	
4	7900	BEARING - cup, outer	2	
5	30517	BEARING - cone, with seal	2	
6	21376	BEARING - cone	2	
7	107188	PLATE – friction.....	2	
8	112003	SPRING – compression, see note 1.....	4	
9	107191	BRACKET – spring, see note 1	4	
10	107196	PIN – L, caster lock	2	
11	13125	PIN – hair.....	2	
12	107194	TUBE – flared	4	-156149
13	107195	DISK – cap	2	
14	19508	SPACER.....	2	
15	18671	FITTING - lube.....	4	
16	21540	WASHER - flat, hardened.....	2	
17	5512	NUT - hex slotted, 3/4 NF	2	
18	18648	PIN - cotter.....	2	
19	30520	CAP - dust	2	
20	112438	WHEEL – 16 x 6LB, for 7.5 tire	2	
21	112441	TIRE – 7.5-16, six ply single rib TT, F-1, with tube.....	2	
	112442	TUBE – inner, for tire 112441	2	
22	18916	BOLT - wheel, 9/16 NF	12	
23	110584	WASHER – hardened, 3-1/4 IN. OD x 2-1/2 IN. ID	2	156150-
24	107551	SEAL – foam	2	156150-
B	18697	NUT – lock 1/2 NC distorted thread		
E	136001	BOLT – round head, square neck, 1/2 NC x 5-1/4 inch		
F	21575	BOLT – hex head, 1/2 NC x 1 inch		
G	18638	WASHER – lock, 1/2 inch ID		
H	30299	BOLT – hex head, 1/2 NC x 4 inch		
J	18591	NUT – hex, 1/2 NC		

NOTES: 1. When replacing parts in friction plate spring assembly, tighten nut only enough to achieve dimension shown below.




SAFETY DECALS

⚠ DANGER




To prevent machine runaway:
 • STOP ENGINE before adjusting steering linkage or neutral interlock.
 • Do not rewire or misadjust neutral interlock so engine can be started with controls out of neutral.
 • Do not try to start engine with someone under or near machine.
 • Refer to Operator's Manual for starting and adjustment procedures.
 * 27743

⚠ DANGER




Rest header on ground or engage mechanical locks before going under unit.
 See Operator's Manual.
 * 44811

⚠ DANGER



To prevent machine runaway:
 • Do not start engine by shorting across starter or starter relay terminals. Machine will start with drive engaged and move if starting circuitry is bypassed.
 • Start engine only from operator's seat.
 • Do not try to start engine with someone under or near machine.
 * 42130

⚠ DANGER




ROTATING DRIVELINE
 CONTACT CAN CAUSE DEATH
KEEP AWAY!
 DO NOT OPERATE WITHOUT —
 • ALL DRIVELINE, TRACTOR AND EQUIPMENT SHIELDS IN PLACE
 • DRIVELINES SECURELY ATTACHED AT BOTH ENDS
 • DRIVELINE SHIELDS THAT TURN FREELY ON DRIVELINE
 30318

⚠ DANGER



SHIELD MISSING
DO NOT OPERATE


⚠ WARNING



DO NOT GO NEAR LEAKS
 High pressure oil easily punctures skin causing serious injury, amputation or death.
 • If injured, seek emergency medical help. Immediate surgery is required to remove oil.
 • Do not use finger or skin to check for leaks.
 • Lower load or relieve hydraulic pressure before loosening fittings.
 * 42130


HYDRAULIC OIL

Check oil level daily. Fill to "FULL" mark. Refer to operator's manual for oil specifications. Approximate refill capacity: 57 litres, or 15.2 US gallons.



⚠ WARNING

PREVENT SERIOUS BODILY INJURY CAUSED BY:
 • EXPLOSIVE BATTERY GASES. Keep sparks and flames away from the battery. Refer to Operator's Manual for battery boosting and charging procedures.
 • CORROSIVE AND POISONOUS BATTERY ACID. Acid can severely burn your body and clothing.




REFRIGERANT 134a
 Capacity: 1.36 kg or 3 lbs.
 Service by qualified technician only

COMPRESSOR OIL
 SANDEN SP-15 PAG OIL
 Use of other oil voids warranty.



ENGINE OIL
 Fill to "FULL" mark. See Operator's Manual for grade of oil. Approximate refill capacity: Cummins 10.4 L (11 US qts.), Isuzu 14 L (14.8 US qts.)

BEVEL GEARBOX
 Fill to level plug on gearbox. Use clean ISO VG220 synthetic gear oil. Approximate refill capacity: 1.6 litre or 1.7 US quart.

⚠ WARNING



⚠ WARNING

* 43885

⚠ WARNING



To avoid injury, stop engine before opening power drive system shield.
 Keep all shields in place.
 * 32738

⚠ WARNING





50 ⚠
 * 42251

⚠ CAUTION

To avoid injury or death from improper or unsafe machine operation:

1. Read the Operator's Manual, and follow all safety instructions. If you do not have a manual, obtain one from your dealer.
2. Do not allow untrained persons to operate the machine.
3. Review safety instructions with all operators annually.
4. Ensure that all safety signs are installed and legible.
5. Make certain everyone is clear of machine before starting engine and during operation.
6. Keep riders off the machine.
7. Keep all shields in place, and stay clear of moving parts.
8. Disengage header drive, put transmission in neutral, apply park brake and wait for all movement to stop before leaving operator's position.
9. Do not service, adjust, lubricate, clean or unplug machine with engine running or key in ignition.
10. Engage mechanical locks before servicing header or reel in the raised position.
11. Use slow moving vehicle emblem and flashing warning lights when operating on roadways unless prohibited by law.

* 38888

SAFETY
 live with it

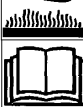
⚠ WARNING

1. Machine will move if steering wheel is turned while engine is running.
2. Steering response is opposite to what is normally expected when backing up. Turn bottom of steering wheel in direction you want to go.
3. When travelling down hill, reduce speed and lower header.
4. With header removed, decreased weight on drive wheels reduces steering control. Operate at low speed and avoid slopes.
5. Move ground speed lever to slow and of range before shifting high-low speed control.

For complete operating instructions refer to Operator's Manual.
STARTING: Disengage header drive. Move ground speed lever to N. Lock steering wheel. Turn key.
STOPPING: Move ground speed lever to N. Lock steering wheel. Disengage header drive, stop engine and apply park brake.
TOWING: Disengage wheel drive by reversing disc at center of wheel.
 * 42130

⚠ CAUTION

CLOSED COOLANT SYSTEM



Coolant is under pressure and may be hot. Never remove radiator cap when engine is hot.

• 7 psi (48 kPa) radiator cap — KEEP TIGHT.
 • Coolant system is factory filled with 50% anti-freeze/water mixture.
 • Maintain coolant level in reservoir within "NORMAL" range shown.
 • If it becomes necessary to add coolant to the radiator refer to the Operator's Manual for safe procedure to refill the radiator.
 #1200

16 Stability of machine varies with different attachments, tractor options, terrain and operator's driving technique. Install weights at rear of tractor to provide adequate machine stability. Refer to operator's manual for weight recommended for specific tractor applications.

⚠ WARNING

The training seat is provided for an experienced operator of the machine when a new operator is being trained.

The training seat is NOT intended as a PASSENGER SEAT or FOR USE BY CHILDREN.

USE THE SEAT BELT whenever operating the machine or riding as a trainer.

KEEP ALL OTHER RIDERS OFF THE MACHINE.
 * 109868

SAFETY DECALS

REF	PART NUMBER	DESCRIPTION	QTY	SERIAL NUMBER
1	32743	DECAL - DANGER: Steering/Neutral		
2	44611	DECAL - DANGER: Header Lift Cylinder Stops		
3	42130	DECAL - DANGER: Starting		
4	30316	DECAL - DANGER: Driveline		
4A	36651	DECAL - DANGER: Driveline Shield Missing		
5	45935	DECAL - WARNING: Engine Compartment Hazards, L/H		
6	45420	DECAL - WARNING: Engine Compartment Hazards, R/H		
7	42695	DECAL - WARNING: Engine/Transmission Driveline Hazards		
8	32738	DECAL - WARNING: Shields and Guards		
9	42123	DECAL - WARNING: Starting/Driving Procedures		
10	111200	DECAL - CAUTION: Closed Coolant System (was 24768)		
11	32009	DECAL - CAUTION: General Safety Precautions		
12	32744	DECAL - SAFETY: Live With It		
13	42251	DECAL - WARNING: Engine/Transmission Driveline Hazards		
14	44944	DECAL - WARNING: Hydraulic Oil Leaks		
15	109868	DECAL - WARNING: Use of Training Seat		
16	109208	DECAL - Rear Weight		

INFORMATION DECALS & REFLECTORS

1 [Blank rectangular decal]

2 [Gear icon]

3 [Control panel icons: TURN SIGNAL, OFF, LIGHTS, WIPER, AIR CONDITIONING, BLOWER, HEATER, OFF, ON]

4 [Warning icon: triangle with exclamation mark]

5 [Warning icon: triangle with exclamation mark and star]

6 [Function labels: INT LITE WIPER, RAD +, GAUGES RADIO, HEADER FUNCTIONS, AIR COND AUX POWER]

7 [Warning icon: triangle with exclamation mark]

8 [Warning icon: triangle with exclamation mark]

9 [Text: This product may be covered by one or more of the following patents: CDL # 1875814, CDL # 1226730, CDL # 1246180, CDL # 1344340, CDL # 1287792, U.S. # 6248000, U.S. # 4872099, U.S. # 4880361, U.S. # 4882181, U.S. # 4888000, U.S. # 5006343. Other patents pending.]

10 [50 lb weight icon]

11 [10 lb weight icon]

12 [IMPORTANT DIESEL FUEL ONLY]

13 [Triangle reflector]

14 [Warning icon: lightning bolts and arrow]

15 [Warning icon: stop sign]

16 [Warning icon: person under a hook]

17 [Function labels: HEAD LIGHTS, WORK LIGHTS, HEADER & REEL LIFT, AIR COND]

18 [IMPORTANT To avoid damage to windrower be sure that anti-ewy blocks are correctly positioned before attaching header. AUGER and MULTI-CROP HEADERS, HARVEST HEADER]

19 [Black rectangular decal]

20 [Triangle reflector]

21 [Ruler scale: 20, 16, 12, 8, 4, 0]

22 [Vertical rectangular decal]

23 [Wheel nut torque diagram with numbered sequence 1-8]

24 [Wheel nut torque diagram with numbered sequence 1-8]

25 [Torque specifications: MAX. 1% MOLY, MIN. 1% MOLY]

25A [Torque specification: 50 lb]

26 [Wheel nut torque diagram with numbered sequence 1-8]

27 [Warning icon: tire pressure gauge]

28 [50 lb weight icon]

29 [List of part numbers: F1-SPWR, F2-10A, F3-10A, F4-75A, F5-75A, F6-75A, F7-5A. Includes table: F1 A10 --- SPARE, F2 A10 10A ECM POWER, F3 A10 15A ECM POWER, F4 A10 17.5A ECM POWER, F5 A10 17.5A ECM POWER, F6 A10 17.5A ECM POWER, F7 A10 5A ECM IGNITION. MD#111848]

INFORMATION DECALS & REFLECTORS

REF	PART NUMBER	DESCRIPTION	QTY	SERIAL NUMBER
1	45399	DECAL – Radio Cover		
2	45752	DECAL – Transmission, 2 speed		
3	45715	DECAL - Console		
4	45753	DECAL - Header Lift		
5	45754	DECAL - Reel Lift		
6	45776	DECAL - Cab Circuit Breakers		
7	42696	DECAL - Emergency Exit		
9	32070	DECAL - Patents		
10	23165	DECAL - 50 Hour Grease		
11	24777	DECAL - Driveline Grease – 10 Hour		-138024
12	24769	DECAL - Diesel Fuel Only		
13	109206	DECAL - Jack Here (was 24767)		
14	109205	DECAL – Cab Power Points		
15	112980	DECAL – Ignition Switch (was 109201)		
16	109207	DECAL – Tie Down Point		
17	45775	DECAL - Relays		
18	44171	DECAL - Anti-Sway Block Positions		
19	115147	REFLECTOR – red		
	115145	REFLECTOR – Day-Glow orange		
20	21032	REFLECTOR - Slow Moving Vehicle Sign		
21	45495	DECAL – Gauge, Header Height / Header Angle		
22	45492	DECAL – Mark, Header Height Gauge		
23	111212	● DECAL – Tire Pressure/Bolt Torque		-134349
24	111208	● DECAL – Tire Pressure/Bolt Torque		134350-
25	167002	DECAL – Transmission driveline grease		-173336
25A	167022	DECAL – Transmission driveline grease		173337-
26	111220	■▲ DECAL – Bolt Torque		
27	111221	■▲ DECAL – Tire Pressure		
28	111214	DECAL – Drive Line Grease – 50 Hour		138025-
29	111848	▲ DECAL – FUSE PANEL		
A	21055	SCREW - self tapping, hex washer head, 1/4 NC x 1/2 inch		

- - MacDon 9250/9350, Westward 9250/9350, Prairie Star 4940/4950, Premier 2940/2950, Harvest Pro 8140/8150
- - MacDon 9352/9352i, Westward 9352/9352i, Prairie Star 4952/4952i, Premier 2952/2952i, Harvest Pro 8152/8152i
- ▲ - MacDon 9352c Westward 9352c, Prairie Star 4952c, Premier 2952c, Harvest Pro 8152c

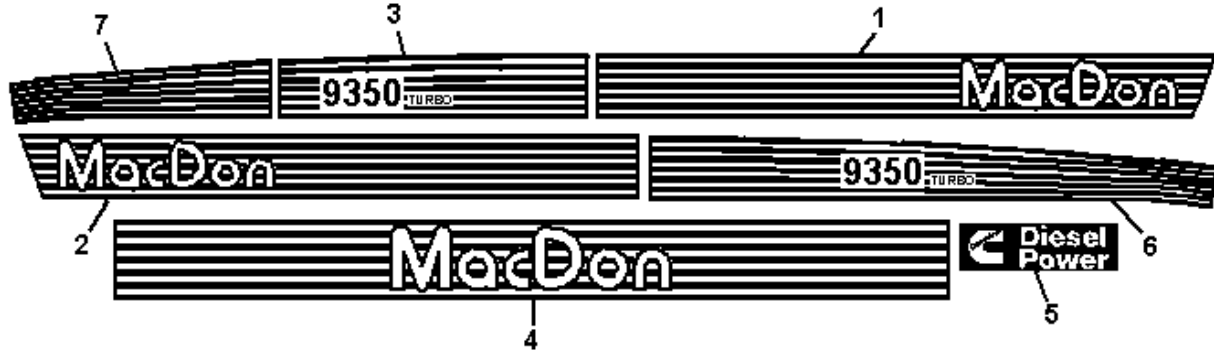
PAINT

135148	PAINT - black, spray can (55 – 65 Gloss Level) (was 25990)
25991	PAINT - black, 1 litre (55 – 65 Gloss Level)
23950	PAINT - red, spray can (To be used for small touch ups only)
49832	PAINT – red, 1 US Quart. See note (1).
49833	ACTIVATOR – for paint, 1 US Pint.
49834	REDUCER – for paint, 1 US Quart.
49835	ACCELERATOR – for paint, 1 US Pint. See note (2).
32879	PAINT - white, spray can
23957	PAINT-white, 1 litre

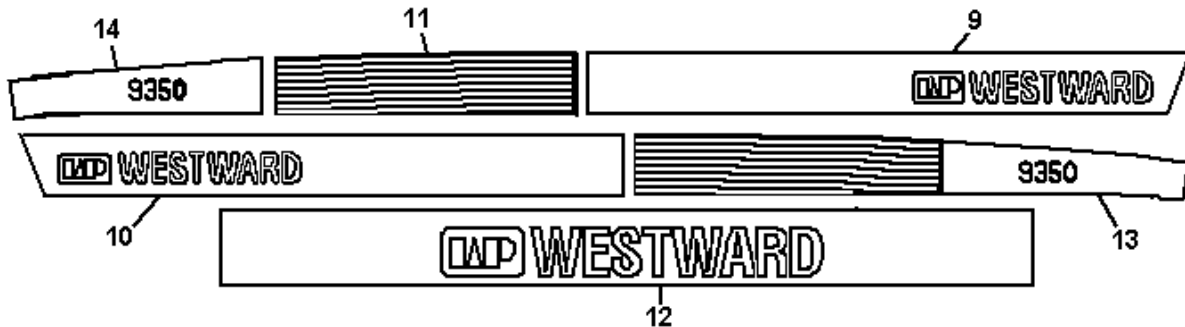
NOTES:

- When ordering 49832 red paint, also order part numbers 49833 and 49834. These three parts (Paint, Activator and Reducer) must be premixed at a ratio of 2:1:1 respectively. This paint when mixed provides 2 sprayable quarts, which is approximately enough for one engine hood. Further instructions supplied with paint.
- Part 49835 is a paint accelerator. Adding approximately ½ to 1 oz. of accelerator per sprayable quart will speed up dry time. If paint accelerator is not added, there will be no change to paint, other than length of dry time.

PRODUCT IDENTIFICATION DECALS

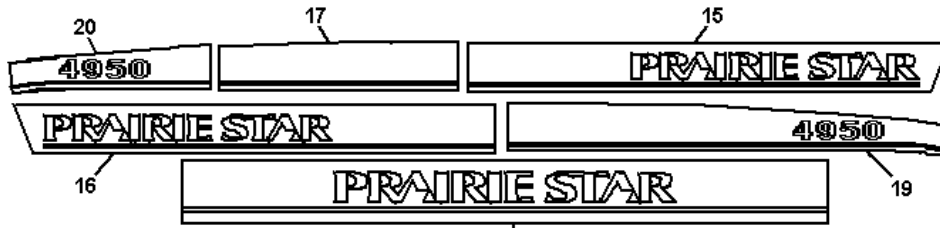


REF	PART NUMBER	DESCRIPTION	QTY	SERIAL NUMBER
1	112168	DECAL - L/H side hood: rainbow stripe with MacDon	1	
2	112169	DECAL - R/H side hood: rainbow stripe with MacDon	1	
3	112257	DECAL - cab door, 9250 on rainbow stripe	1	
	112166	DECAL - cab door, 9350 TURBO on rainbow stripe.....	1	
	112400	DECAL - cab door, 9352 TURBO on rainbow stripe.....	1	
	112761	DECAL - cab door, 9352i TURBO on rainbow stripe.....	1	
	167031	DECAL - cab door, 9352c TURBO on rainbow stripe	1	
4	112167	DECAL - cab front: rainbow stripe with MacDon	1	
5	44351	PLAQUE - Cummins Diesel Power	1	
6	112258	DECAL - cab R/H side front, 9250 on rainbow stripe	1	
	109047	DECAL - cab R/H side front, 9350 TURBO on rainbow stripe.....	1	
	112401	DECAL - cab R/H side front, 9352 TURBO on rainbow stripe.....	1	
	112766	DECAL - cab R/H side front, 9352i TURBO on rainbow stripe.....	1	
	167036	DECAL - cab R/H side front, 9352c TURBO on rainbow stripe.....	1	
7	112165	DECAL - L/H side cab front	1	



9	45897	DECAL - L/H side hood: WP Westward	1	
10	45898	DECAL - R/H side hood: WP Westward	1	
11	45899	DECAL - cab door: WP Westward.....	1	
12	45902	DECAL - cab front: WP Westward.....	1	
13	45903	DECAL - cab R/H side front, 9250.....	1	
	45904	DECAL - cab R/H side front, 9350.....	1	
	112402	DECAL - cab R/H side front, 9352.....	1	
	112767	DECAL - cab R/H side front, 9352i.....	1	
	167037	DECAL - cab R/H side front, 9352c	1	
14	45900	DECAL - cab L/H side front, 9250	1	
	45901	DECAL - cab L/H side front, 9350	1	
	112403	DECAL - cab L/H side front, 9352	1	
	112763	DECAL - cab L/H side front, 9352i.....	1	
	167032	DECAL - cab L/H side front, 9352c.....	1	

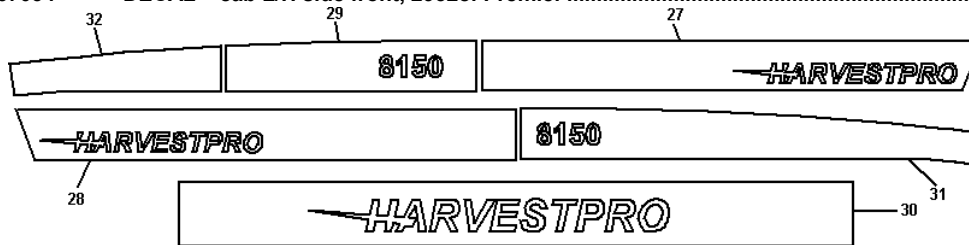
PRODUCT IDENTIFICATION DECALS



15	45906	DECAL -L/H side hood: Prairie Star	1
16	45907	DECAL - R/H side hood: Prairie Star	1
17	45908	DECAL – cab door: Prairie Star	1
18	45911	DECAL – cab front: Prairie Star	1
19	45912	DECAL – cab R/H side front, 4940: Prairie Star	1
	45913	DECAL – cab R/H side front, 4950: Prairie Star	1
	112404	DECAL – cab R/H side front, 4952: Prairie Star	1
	112768	DECAL – cab R/H side front, 4952i: Prairie Star	1
	167038	DECAL – cab R/H side front, 4952c: Prairie Star	1
20	45909	DECAL – cab L/H side front, 4940: Prairie Star	1
	45910	DECAL – cab L/H side front, 4950: Prairie Star	1
	112405	DECAL – cab L/H side front, 4952: Prairie Star	1
	112764	DECAL – cab L/H side front, 4952i: Prairie Star	1
	167033	DECAL – cab L/H side front, 4952c: Prairie Star	1

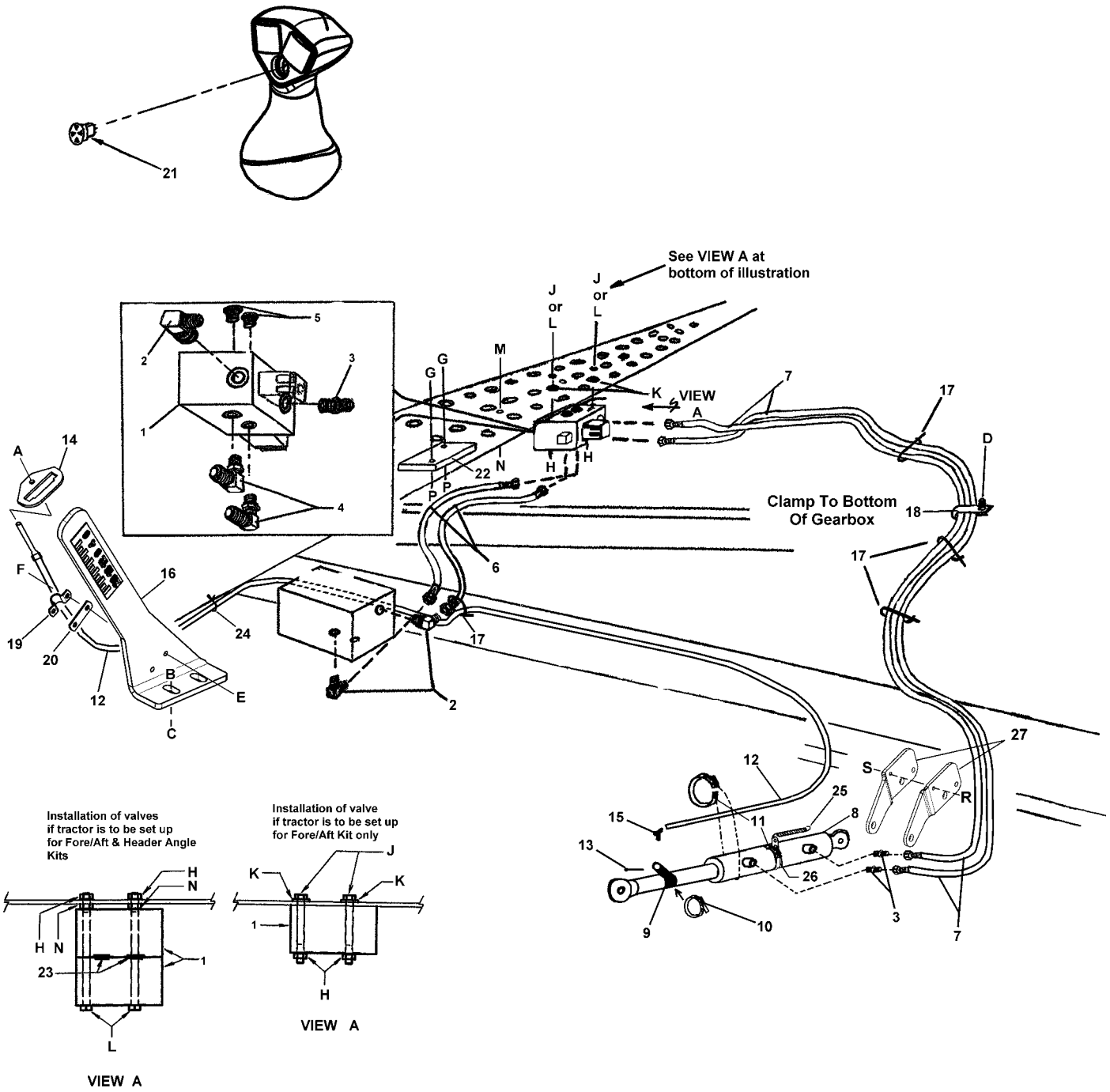


21	45915	DECAL -L/H side hood: Premier	1
22	45916	DECAL - R/H side hood: Premier	1
23	45917	DECAL – cab door: Premier	1
24	45920	DECAL – cab front: Premier	1
25	45921	DECAL – cab R/H side front, 2940: Premier	1
	45922	DECAL – cab R/H side front, 2950: Premier	1
	112406	DECAL – cab R/H side front, 2952: Premier	1
	112769	DECAL – cab R/H side front, 2952i: Premier	1
	167039	DECAL – cab R/H side front, 2952c: Premier	1
26	45918	DECAL – cab L/H side front, 2940: Premier	1
	45919	DECAL – cab L/H side front, 2950: Premier	1
	112407	DECAL – cab L/H side front, 2952: Premier	1
	112765	DECAL – cab L/H side front, 2952i: Premier	1
	167034	DECAL – cab L/H side front, 2952c: Premier	1



27	112530	DECAL -L/H side hood: Harvest Pro	1
28	112531	DECAL - R/H side hood: Harvest Pro	1
29	112532	DECAL – cab door: Harvest Pro 8140	1
	112533	DECAL – cab door: Harvest Pro 8150	1
	112540	DECAL – cab door: Harvest Pro 8152	1
	112762	DECAL – cab door: Harvest Pro 8152i	1
	167035	DECAL – cab door: Harvest Pro 8152c	1
30	112536	DECAL – cab front: Harvest Pro	1
31	112537	DECAL – cab R/H side front: Harvest Pro 8140	1
	112538	DECAL – cab R/H side front: Harvest Pro 8150	1
	112541	DECAL – cab R/H side front: Harvest Pro 8152	1
	112770	DECAL – cab R/H side front: Harvest Pro 8152i	1
	167040	DECAL – cab R/H side front: Harvest Pro 8152c	1
32	112534	DECAL – cab L/H side front: Harvest Pro	1

OPTIONAL HYDRAULICS – HEADER ANGLE KIT

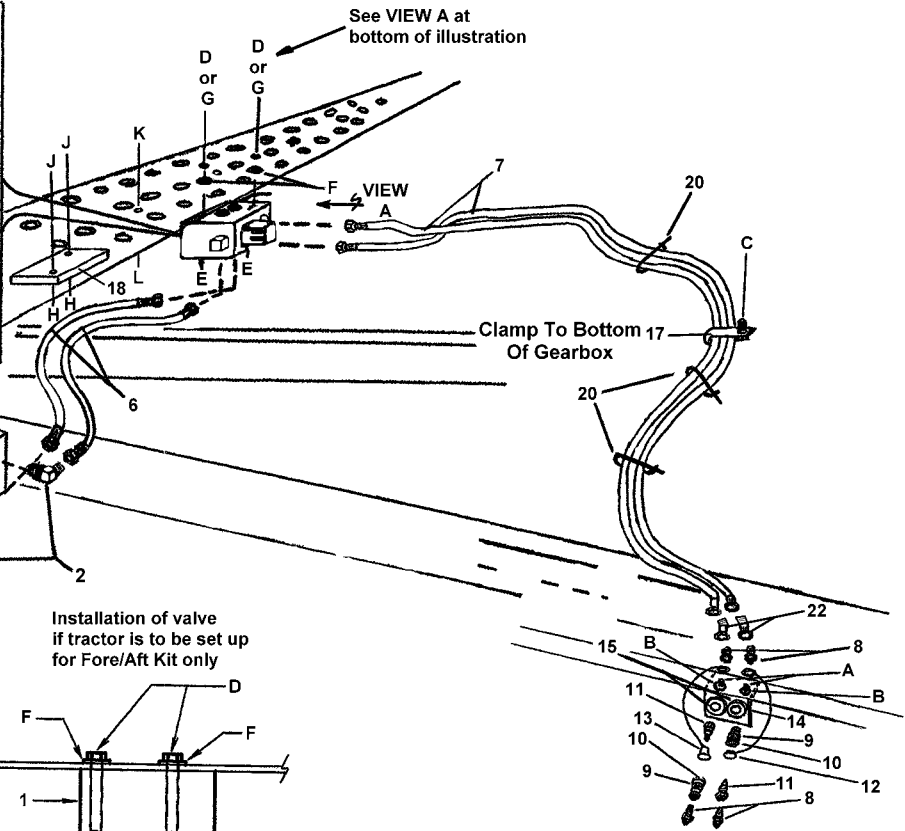
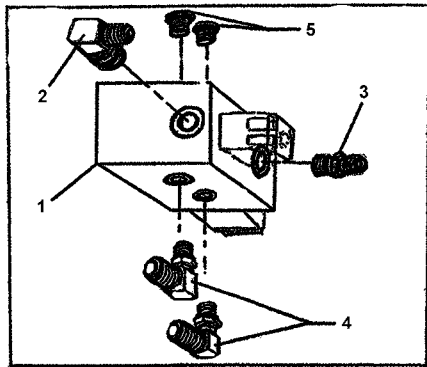
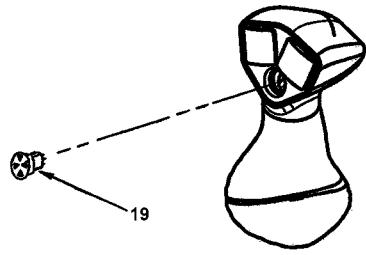


OPTIONAL HYDRAULICS – HEADER ANGLE KIT

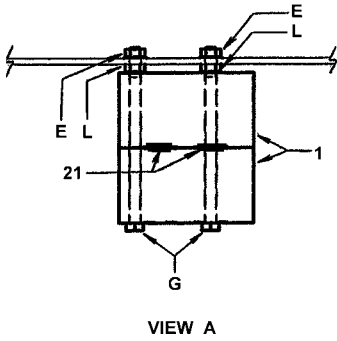
REF	PART NUMBER	DESCRIPTION	QTY	SERIAL NUMBER
1	111129	VALVE – header angle manifold, see page 137 for repair parts	1	
2	30282	FITTING – elbow, #6 JIC, male	3	
3	15903	FITTING – connector, #6 JIC, male	3	
4	50104	FITTING – elbow, #6 JIC, male, 90°	2	
5	102711	PLUG – hydraulic	2	
6	112208	HOSE – hydraulic, header angle valve to lift valve	2	
7	112209	HOSE – hydraulic, header angle valve to cylinder	2	
8	111035	CYLINDER – hydraulic	1	
	111430	SEAL KIT – for cylinder 111035		
9	112211	CLAMP – header angle gauge	1	
10	113532	CLAMP – hose, 2 inch	1	
11	21913	CLAMP – hose, 3 inch	2	
12	45927	CABLE – header angle	1	
13	18604	PIN – cotter, 3/32 x 3/4	1	
14	45888	GAUGE – header angle	1	
15	42218	PIVOT	1	
16	45892	SUPPORT – header angle, with gauge decal	1	
17	21763	FASTENER – plastic tie, 7-1/2 inch	4	
18	103738	FASTENER – hose clamp	1	
19	42219	HOLDER – cable	1	
20	42220	BAR – spacer	2	
21	109061	SWITCH – 4 way, header angle/fore aft	1	
22	112143	MODULE – header angle/fore aft	1	
23	45934	O-RING	2	
24	16661	FASTENER – plastic tie, 5-1/2 inch	1	
25	24318	SPRING – extension	1	
26	45947	CLAMP – spring cylinder	1	
27	REF	PLATE – center link extension for Model XX52 tractors, see page 38		
A	20011	NUT – hex, #10-32 NF		
B	20077	BOLT – hex head, 3/8-16 NC x 1 inch		
C	18669	NUT – hex, 3/8-16 NC, distorted thread		
D	30982	BOLT – hex head, 1/2 NC x 1/2 inch		
E	18577	SCREW – machine, #10-24 NC x 3/4 inch		
F	18647	NUT – hex, #10-24 NC		
G	45694	SCREW - #8-32 NC x 1-1/2 inch		
H	30280	NUT – hex, 5/16 NC, distorted thread		
J	21595	BOLT – hex head, 5/16 NC x 3 inch		
K	18597	WASHER – flat, 5/16 inch ID		
L	45933	BOLT – hex head, 5/16 NC x 5-1/4 inch		
M	50112	BOLT – hex head, 5/16-18 NC		
N	18589	NUT – hex, 5/16-18 NC		
P	18796	NUT – hex, #8 NC		
R	21593	BOLT – hex head, 3/8 NC x 4 inch		
S	30228	NUT – lock, smooth flange, 3/8 NC distorted thread		

} Model XX52/XX52i tractors
only (for extension spring)

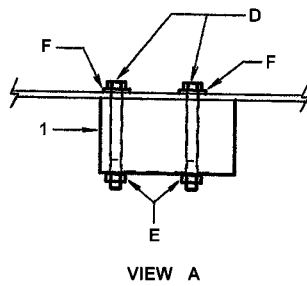
OPTIONAL HYDRAULICS – FORE/AFT KIT



Installation of valves if tractor is to be set up for Fore/Aft & Header Angle Kits



Installation of valve if tractor is to be set up for Fore/Aft Kit only



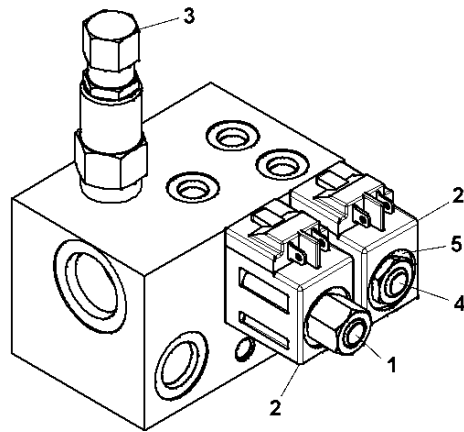
OPTIONAL HYDRAULICS – FORE/AFT KIT

REF	PART NUMBER	DESCRIPTION	QTY	SERIAL NUMBER
1	111129	VALVE – fore-aft/header angle manifold, see pg. 134 for repair parts	1	
2	30282	FITTING – elbow, #6 ORB x #6 JIC, 90°	3	
3	15903	FITTING – connector, #6 ORB x #6 JIC	1	
4	50104	FITTING – elbow, #4 ORB x #6 JIC, 90°	2	
5	102711	PLUG – hydraulic.....	2	
6	112208	HOSE – hydraulic, reel valve to lift valve.....	2	
7	112209	HOSE – hydraulic, reel valve to connectors	2	
8	21806	FITTING – connector, male, 1/2 inch NPT	4	
9	21857	FITTING – coupler, female, 1/2 inch NPT	2	
10	50082	O-RING – included with item 9	2	
11	21855	FITTING – coupler, male, 1/2 inch NPT	2	
12	21858	PLUG – dust, for 1/2 inch NPT female	1	
13	21856	CAP – dust, for 1/2 inch NPT male.....	1	
14	45936	ANGLE – fore/aft coupling.....	1	
15	45153	WASHER – formed.....	2	
17	103738	CLAMP – hose	1	
18	112143	MODULE – fore/aft, header angle	1	
19	109061	SWITCH – 4 way, fore/aft, header angle	1	
20	21763	FASTENER – plastic tie, 7-1/2 inch.....	4	
21	45934	O-RING – for item 1.....	2	
22	30875	FITTING – elbow, swivel, 45°	2	
A	30963	BOLT – hex head, 3/8-16 NC x 3/4 inch		
B	21452	NUT – flange, hex, 3/8-16 NC		
C	30982	BOLT – hex head, 1/2 NC x 1/2 inch		
D	21595	BOLT – hex head, 5/16 NC x 3 inch		
E	30280	NUT – hex, 5/16 NC, distorted thread		
F	18597	WASHER – flat, 5/16 inch ID		
G	45933	BOLT – hex head, 5/16 NC x 5-1/4 inch		
H	18796	NUT – hex, #8 NC		
J	45694	SCREW - #8-32 NC x 1-1/2 inch		
K	50112	BOLT – hex head, 5/16-18 NC		
L	18589	NUT – hex, 5/16-18 NC		

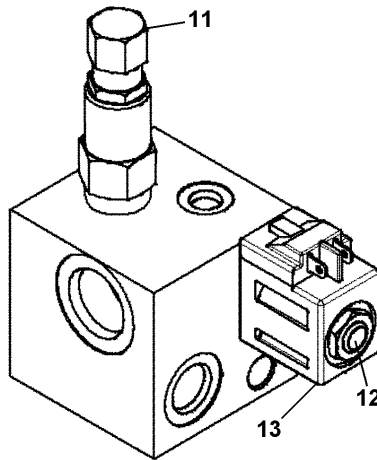
OPTIONAL HYDRAULICS – HEADER EXPRESS DOWN

REF	PART NUMBER	DESCRIPTION	QTY	SERIAL NUMBER
*	B2964	KIT – header express down relay (was 112509)	1	
*	109064	SWITCH – included in kit B2964.....	1	
		B2964 available through Whole Goods only.		

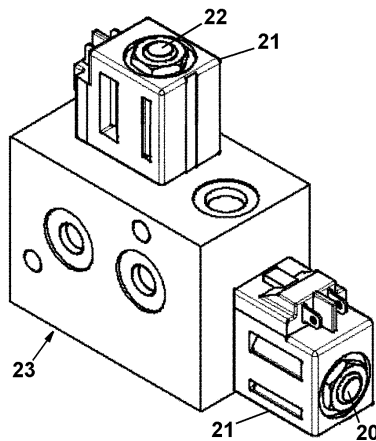
VALVE MANIFOLDS



111388 – SUPERCHARGE MANIFOLD – 2 SPEED – TURBO



111128 – SUPERCHARGE MANIFOLD - SINGLE SPEED – NATURALLY ASPIRATED



111129 – HEADER ANGLE / FORE-AFT MANIFOLD

VALVE MANIFOLDS

REF	PART NUMBER	DESCRIPTION	QTY	SERIAL NUMBER
*	111388	MANIFOLD – supercharge, 2 speed, see pages 90, 91		
1	49842	CARTRIDGE – (S6) supercharge, 2 speed.....	1	
2	49843	COIL – supercharge, 2 speed.....	2	
	49844	SEAL KIT – cartridge (item 1) & coil (item 2).....	1	
3	111389	250 psi RELIEF VALVE – supercharge, 2 speed.....	1	
	49846	SEAL KIT – relief valve, for 111277 or 111389.....	1	
4	49848	CARTRIDGE – (S7) supercharge, 2 speed.....	1	
	49849	SEAL KIT – cartridge (item 4) & coil (item 2).....	1	
	100577	PLUG – SAE, dash 6 ORB.....	1	
	102711	PLUG – SAE, dash 4 ORB.....	1	
5	49850	DISC – orifice.....	1	
<hr/>				
*	111128	SUPERCHARGE MANIFOLD – single speed, N.A. Only (see pages 90, 91)		
11	111276	RELIEF VALVE – supercharge, single speed (was 49851).....	1	
	49846	SEAL KIT – relief valve.....	1	
12	49842	CARTRIDGE – supercharge, single speed.....	1	
13	49843	COIL – supercharge, single speed.....	1	
	49844	SEAL KIT – cartridge (item 12) & coil (item 13).....	1	
	100577	PLUG – SAE, dash 6 ORB.....	1	
	102711	PLUG – SAE, dash 4 ORB.....	1	
<hr/>				
*	111129	HEADER ANGLE / FORE-AFT MANIFOLD – Optional Hydraulics (see pages 132 – 135)		
20	49848	CARTRIDGE – (S8) header angle manifold.....	1	
21	49843	COIL – header angle manifold.....	2	
	49849	SEAL KIT – cartridge (item 20) & coil (item 21).....	1	
22	49853	CARTRIDGE – (S9) header angle manifold.....	1	
	49854	SEAL KIT – cartridge (item 22) & coil (item 21), check valve (item 23).....	2	
23	49855	VALVE – check, header angle manifold.....	1	
	49850	DISK – orifice, header angle manifold.....	1	
	102711	PLUG - SAE, dash 4 ORB.....	1	

NUMERICAL LIST

<u>PART NO.</u>	<u>PAGE</u>	<u>PART NO.</u>	<u>PAGE</u>	<u>PART NO.</u>	<u>PAGE</u>	<u>PART NO.</u>	<u>PAGE</u>
616	119	17546	21	20579	91	21746	83
1045	47	17546	21	20988	87	21747	83
2146	17	17546	23	21024	69	21747	91
4267	117	17958	83	21030	85	21755	99
4267	119	17958	91	21030	101	21760	3
4267	121	17959	65	21032	40	21763	43
4761	19	18591	3	21032	129	21763	69
4761	47	18591	119	21052	59	21763	83
4761	79	18591	121	21055	129	21763	85
4761	81	18596	33	21076	91	21763	91
4761	119	18596	35	21087	103	21763	133
4761	121	18598	113	21153	111	21763	135
5079	85	18599	99	21153	117	21774	43
5512	76	18601	13	21153	123	21806	135
5512	119	18601	117	21165	37	21810	79
5512	121	18601	121	21166	37	21822	91
5512	125	18604	133	21215	117	21824	85
5735	91	18605	76	21215	119	21827	101
5754	67	18638	3	21215	121	21830	91
6647	119	18638	99	21301	75	21836	83
7536	40	18638	119	21349	33	21838	119
7603	91	18638	121	21349	35	21843	85
7900	76	18639	99	21349	69	21844	59
7900	121	18639	119	21357	103	21855	83
7900	125	18639	121	21357	105	21855	135
7909	121	18648	119	21358	111	21856	135
7910	76	18648	121	21376	125	21857	83
7910	121	18648	125	21383	3	21857	135
7920	121	18666	99	21395	119	21858	135
9423	69	18671	40	21395	121	21859	117
11660	19	18671	69	21420	100	21859	123
11660	81	18671	76	21425	69	21873	103
11695	39	18671	117	21526	103	21887	39
13125	39	18671	119	21526	105	21903	16
13125	123	18671	121	21540	76	21908	25
13125	125	18671	123	21540	125	21909	25
13626	71	18671	125	21545	76	21910	25
13626	73	18723	119	21560	3	21913	63
15103	19	18881	91	21565	119	21913	65
15903	85	18900	93	21565	121	21913	133
15903	133	18900	100	21582	99	21922	81
15903	135	18916	125	21587	99	21931	16
16266	13	19488	13	21588	103	21931	29
16652	19	19508	123	21594	119	21943	25
16652	113	19508	125	21594	121	21943	113
16661	25	20023	65	21655	77	21964	31
16661	133	20023	65	21686	121	21974	43
17006	69	20312	39	21687	121	21980	47
17194	69	20424	61	21719	121	21992	59

NUMERICAL LIST

<u>PART NO.</u>	<u>PAGE</u>	<u>PART NO.</u>	<u>PAGE</u>	<u>PART NO.</u>	<u>PAGE</u>	<u>PART NO.</u>	<u>PAGE</u>
21995	65	25915	65	30203	105	30611	83
21995	65	25916	65	30203	107	30622	77
21995	65	25991	129	30204	103	30623	77
21995	67	28038	19	30205	103	30624	59
22072	69	30005	61	30205	105	30627	55
23118	81	30005	63	30205	107	30634	109
23165	129	30007	61	30206	103	30651	47
23950	129	30007	63	30215	25	30651	51
23957	129	30045	99	30215	43	30653	47
24037	91	30045	100	30215	115	30654	47
24210	65	30045	101	30241	47	30655	47
24210	65	30058	93	30282	85	30656	47
24280	121	30061	13	30282	91	30660	55
24289	25	30094	59	30282	99	30664	99
24318	133	30094	59	30282	115	30670	91
24398	91	30120	95	30282	133	30682	47
24556	47	30138	93	30282	135	30689	43
24769	129	30140	93	30286	115	30695	83
24777	129	30141	93	30312	16	30695	85
24779	77	30144	93	30316	127	30716	109
24936	33	30144	100	30334	33	30753	43
24936	35	30181	103	30334	35	30753	67
24936	35	30181	105	30335	16	30753	83
24986	21	30181	107	30419	59	30753	91
25051	27	30182	103	30426	59	30813	115
25086	29	30183	103	30426	61	30833	119
25102	29	30184	103	30434	119	30833	121
25286	9	30185	103	30435	119	30858	83
25298	3	30186	103	30436	119	30874	115
25321	79	30187	119	30441	39	30875	101
25321	113	30189	103	30441	99	30875	135
25326	13	30190	103	30443	85	30927	91
25336	13	30190	105	30445	119	30927	99
25348	19	30191	103	30445	121	30937	47
25348	79	30191	105	30446	119	30937	59
25348	81	30191	107	30446	121	30938	69
25560	119	30192	103	30457	21	30939	91
25565	119	30193	103	30457	23	30939	99
25575	117	30193	105	30500	59	30943	13
25575	119	30194	103	30500	59	30970	91
25575	121	30194	105	30516	125	30970	99
25579	117	30196	103	30517	125	30971	91
25579	119	30199	103	30520	125	30971	97
25579	121	30200	103	30542	25	30971	99
25699	119	30200	105	30542	65	31062	43
25849	47	30200	107	30542	65	31889	43
25850	47	30201	103	30579	113	32009	127
25851	47	30203	103	30609	83	32070	129

NUMERICAL LIST

<u>PART NO.</u>	<u>PAGE</u>	<u>PART NO.</u>	<u>PAGE</u>	<u>PART NO.</u>	<u>PAGE</u>	<u>PART NO.</u>	<u>PAGE</u>
32225	83	42099	47	42266	57	42579	7
32225	85	42099	51	42269	57	42592	3
32738	127	42099	69	42270	3	42592	9
32743	127	42102	21	42272	11	42592	69
32744	127	42104	39	42273	11	42592	117
32800	77	42123	127	42274	57	42598	29
32879	129	42125	85	42274	67	42610	65
35298	117	42125	88	42275	29	42610	65
36229	39	42126	85	42276	29	42615	10
36651	127	42126	89	42277	29	42616	10
37551	69	42130	127	42279	33	42617	10
37687	3	42135	10	42279	35	42643	7
37758	83	42155	69	42280	33	42644	11
39272	27	42158	71	42282	29	42657	33
39272	43	42159	71	42369	67	42657	35
39273	117	42160	71	42405	3	42658	33
39273	123	42161	71	42406	3	42658	35
40766	39	42162	71	42407	3	42678	25
41357	39	42162	73	42415	9	42678	43
41982	125	42166	71	42415	67	42688	57
42001	103	42167	71	42416	5	42691	39
42008	47	42167	73	42421	10	42695	127
42008	51	42168	71	42431	39	42696	129
42014	59	42169	71	42432	39	42727	16
42016	69	42172	75	42433	39	42727	29
42028	91	42174	75	42434	39	42727	33
42034	113	42202	113	42436	29	42727	35
42038	117	42212	9	42441	17	42745	21
42041	7	42213	9	42442	29	42747	17
42042	3	42218	21	42445	29	42748	17
42045	9	42218	23	42447	15	42749	17
42046	3	42218	133	42458	13	42765	103
42048	10	42219	21	42460	13	42765	105
42049	10	42219	23	42467	13	42766	103
42053	10	42219	133	42469	47	42767	103
42056	5	42220	21	42476	19	42768	103
42057	5	42220	23	42482	19	42769	103
42064	13	42220	133	42482	81	42771	13
42067	15	42239	15	42496	113	42772	13
42067	29	42240	15	42497	39	42773	13
42072	3	42241	15	42498	39	42775	71
42075	29	42249	43	42518	16	42775	73
42075	37	42250	43	42518	29	42776	81
42076	29	42251	127	42523	21	42781	81
42086	69	42255	47	42523	23	42787	81
42093	10	42264	11	42523	29	42793	81
42094	10	42266	3	42523	43	42797	81
42095	10	42266	11	42536	11	42840	16
42099	3	42266	16	42543	9	42841	16

NUMERICAL LIST

<u>PART NO.</u>	<u>PAGE</u>	<u>PART NO.</u>	<u>PAGE</u>	<u>PART NO.</u>	<u>PAGE</u>	<u>PART NO.</u>	<u>PAGE</u>
42878	29	44350	43	45097	69	45372	85
42878	33	44351	130	45099	87	45373	85
42878	35	44354	69	45101	83	45399	9
42879	29	44360	76	45103	85	45399	129
42891	29	44434	47	45103	115	45420	127
42891	31	44437	47	45107	83	45427	47
42893	29	44437	51	45108	83	45427	67
42893	31	44444	47	45110	83	45430	67
42894	29	44468	43	45111	83	45436	67
42894	31	44469	47	45112	87	45439	67
42894	31	44472	75	45113	87	45448	67
42895	29	44481	75	45114	87	45490	39
42895	31	44485	31	45114	115	45492	129
42896	29	44490	21	45115	87	45495	129
42896	31	44494	21	45116	87	45518	71
42920	31	44494	23	45126	83	45519	71
42925	29	44511	43	45129	85	45534	69
42926	27	44575	39	45131	85	45546	91
42927	27	44577	39	45134	85	45547	91
42929	27	44590	39	45138	83	45551	83
42930	27	44601	39	45144	69	45554	83
42931	27	44611	127	45148	69	45558	81
42932	27	44739	40	45153	83	45565	19
42937	27	44748	117	45153	135	45565	81
42938	27	44784	39	45154	85	45575	95
43705	77	44817	39	45154	91	45577	95
43706	77	44822	39	45155	31	45579	95
43707	77	44823	39	45155	43	45592	67
43709	77	44872	75	45157	85	45594	75
43848	57	44873	75	45160	83	45595	75
44168	85	44944	127	45161	83	45601	113
44171	129	44945	91	45175	91	45606	100
44201	91	44977	39	45178	85	45610	100
44202	91	44986	77	45188	37	45614	31
44203	91	44987	77	45189	37	45618	113
44204	91	44988	39	45205	83	45630	113
44205	91	44994	39	45230	69	45640	55
44207	91	44995	39	45236	79	45641	47
44209	101	45034	85	45253	99	45651	59
44217	85	45035	75	45262	69	45654	9
44231	69	45038	39	45297	117	45657	9
44240	76	45040	69	45297	123	45658	10
44294	87	45040	87	45307	21	45659	10
44304	59	45075	69	45307	23	45661	13
44305	113	45081	69	45309	21	45662	13
44322	113	45086	69	45309	23	45664	7
44336	31	45094	69	45314	21	45669	9
44337	21	45096	69	45314	23	45674	13

NUMERICAL LIST

<u>PART NO.</u>	<u>PAGE</u>	<u>PART NO.</u>	<u>PAGE</u>	<u>PART NO.</u>	<u>PAGE</u>	<u>PART NO.</u>	<u>PAGE</u>
45680	13	45822	29	45944	3	49759	97
45681	5	45826	25	45945	71	49760	97
45682	7	45833	21	45947	133	49761	97
45685	16	45833	23	45948	37	49762	97
45687	27	45835	9	45949	27	49763	97
45689	7	45853	27	45950	27	49764	97
45691	27	45858	39	45951	27	49765	97
45696	7	45865	19	45952	27	49766	97
45700	27	45869	19	45953	27	49767	97
45709	16	45872	40	45954	27	49768	97
45711	16	45877	71	45955	27	49769	97
45715	129	45883	67	45956	27	49770	97
45720	10	45884	85	45959	69	49771	97
45725	10	45886	39	45961	39	49782	97
45725	25	45888	133	45964	113	49785	93
45727	10	45892	133	45965	113	49786	93
45730	10	45893	16	45970	43	49786	93
45737	83	45897	130	45973	27	49787	93
45740	91	45898	130	47225	75	49788	93
45741	16	45899	130	49725	83	49789	93
45742	16	45900	130	49726	83	49789	93
45744	13	45901	130	49727	83	49790	93
45745	5	45902	130	49728	83	49791	93
45746	5	45903	130	49729	97	49792	93
45747	5	45904	130	49730	97	49793	93
45748	5	45906	131	49731	97	49794	93
45749	5	45907	131	49733	97	49795	93
45752	129	45908	131	49734	97	49796	93
45753	129	45909	131	49735	97	49798	93
45754	129	45910	131	49736	97	49799	93
45755	3	45911	131	49737	97	49800	93
45757	10	45912	131	49738	97	49801	93
45759	9	45913	131	49739	97	49802	93
45760	3	45915	131	49740	97	49805	95
45775	129	45916	131	49742	97	49806	93
45776	129	45917	131	49743	97	49808	93
45782	9	45918	131	49745	97	49809	95
45783	9	45919	131	49746	97	49810	87
45786	99	45920	131	49747	97	49819	95
45786	101	45921	131	49748	97	49821	95
45799	3	45922	131	49749	97	49823	95
45802	5	45927	133	49750	97	49827	95
45803	5	45931	39	49751	97	49832	129
45804	5	45934	133	49752	97	49833	129
45805	5	45934	135	49753	97	49834	129
45807	5	45935	127	49755	97	49835	129
45814	19	45936	135	49756	97	49842	137
45819	31	45940	25	49757	97	49842	137
45820	31	45941	67	49758	97	49843	137

NUMERICAL LIST

<u>PART NO.</u>	<u>PAGE</u>	<u>PART NO.</u>	<u>PAGE</u>	<u>PART NO.</u>	<u>PAGE</u>	<u>PART NO.</u>	<u>PAGE</u>
49843	137	50041	69	107006	117	109077	7
49843	137	50042	69	107006	123	109078	16
49844	137	50050	83	107188	123	109078	29
49844	137	50053	69	107188	125	109079	16
49846	137	50069	59	107191	123	109080	16
49846	137	50070	63	107191	125	109081	16
49848	137	50073	61	107192	123	109082	29
49848	137	50073	63	107194	123	109083	25
49849	137	50073	67	107194	125	109086	25
49849	137	50075	13	107195	123	109087	25
49850	137	50075	69	107195	125	109088	25
49850	137	50082	83	107196	123	109092	9
49853	137	50082	135	107196	125	109093	9
49854	137	50091	71	107197	117	109096	9
49855	137	50091	73	107197	123	109097	9
49858	93	50093	67	107200	117	109098	7
49859	95	50103	83	107200	123	109099	9
49861	93	50104	133	107201	40	109100	27
49865	107	50104	135	107208	123	109101	16
49866	107	50140	109	107550	40	109102	27
49867	107	50154	71	107551	123	109103	9
49868	107	50155	71	107551	125	109104	9
49869	107	50155	73	108268	87	109105	9
49870	107	50217	93	109004	29	109106	9
49871	107	50217	100	109007	7	109107	9
49872	107	50219	99	109015	7	109109	9
49873	107	50219	99	109016	7	109110	9
49874	107	50220	101	109018	7	109111	9
49875	107	50231	107	109023	7	109111	43
49876	107	100577	137	109033	7	109112	9
49877	107	100577	137	109035	7	109112	9
49878	107	100709	73	109036	15	109112	43
49879	107	100714	73	109041	13	109113	9
49880	107	100790	85	109042	7	109113	9
49881	107	100790	91	109045	7	109113	43
49882	107	101291	75	109047	130	109114	9
49883	107	101898	99	109048	9	109114	9
49884	107	101904	33	109049	19	109114	43
49885	107	101904	47	109051	19	109115	9
50014	59	102711	133	109059	7	109119	15
50022	33	102711	135	109060	19	109120	15
50022	35	102711	137	109061	19	109121	15
50022	43	102711	137	109061	133	109122	15
50023	9	102711	137	109061	135	109123	9
50024	9	103096	73	109063	16	109133	13
50026	47	103738	83	109064	16	109202	15
50040	79	103738	133	109073	13	109204	13
50040	81	103738	135	109076	7	109205	129

NUMERICAL LIST

<u>PART NO.</u>	<u>PAGE</u>	<u>PART NO.</u>	<u>PAGE</u>	<u>PART NO.</u>	<u>PAGE</u>	<u>PART NO.</u>	<u>PAGE</u>
109206	129	110282	39	111090	105	111194	93
109207	129	110285	39	111091	105	111196	99
109208	127	110571	40	111092	105	111198	113
109209	15	110582	40	111093	105	111199	113
109210	13	110583	40	111093	107	111200	127
109211	7	110584	123	111094	105	111203	111
109212	25	110584	125	111095	105	111204	123
109223	9	110599	83	111096	105	111205	111
109224	9	111004	47	111097	105	111206	111
109226	9	111007	21	111098	105	111207	111
109227	9	111009	21	111099	105	111208	129
109228	9	111010	59	111099	107	111212	129
109229	13	111013	31	111101	105	111214	129
109253	115	111020	79	111102	105	111215	78
109271	15	111022	79	111103	105	111216	117
109272	15	111023	79	111104	105	111216	123
109280	16	111026	79	111105	105	111219	99
109453	15	111029	81	111105	107	111219	101
109736	25	111030	97	111106	105	111220	129
109812	27	111034	111	111107	105	111221	129
109813	27	111035	133	111108	105	111222	111
109816	69	111040	85	111109	105	111223	111
109816	79	111042	99	111110	105	111224	123
109825	25	111042	101	111111	99	111225	83
109848	27	111043	83	111111	101	111225	87
109849	27	111043	91	111113	105	111225	115
109851	27	111044	91	111128	91	111227	78
109852	27	111051	61	111128	137	111228	78
109853	27	111052	61	111129	133	111230	78
109868	127	111053	85	111129	135	111234	78
109871	65	111053	91	111129	137	111236	78
109871	65	111057	99	111130	61	111237	78
109898	21	111057	101	111132	91	111242	78
109900	21	111059	85	111134	61	111246	78
109902	21	111060	61	111135	61	111247	78
109904	21	111061	61	111136	47	111248	78
109964	27	111063	61	111143	83	111249	78
109965	27	111068	83	111144	111	111251	111
109966	27	111068	91	111145	111	111252	111
109967	27	111069	91	111149	47	111253	107
109968	27	111070	91	111152	21	111254	111
109969	27	111071	91	111162	107	111255	61
109970	27	111072	91	111169	76	111258	107
110009	39	111077	61	111176	69	111259	107
110010	39	111077	63	111179	111	111260	107
110012	37	111080	85	111184	113	111261	107
110276	39	111081	85	111186	113	111265	109
110277	39	111089	47	111192	113	111265	115
110281	39	111090	103	111193	113	111270	31

NUMERICAL LIST

<u>PART NO.</u>	<u>PAGE</u>	<u>PART NO.</u>	<u>PAGE</u>	<u>PART NO.</u>	<u>PAGE</u>	<u>PART NO.</u>	<u>PAGE</u>
111270	51	111391	33	111490	109	111755	51
111273	51	111391	35	111491	109	111756	51
111276	137	111393	59	111492	109	111757	51
111278	85	111395	35	111493	109	111759	51
111281	69	111396	51	111494	109	111760	51
111282	69	111397	51	111495	109	111763	79
111284	73	111399	53	111496	109	111766	51
111286	73	111400	51	111497	109	111767	51
111289	73	111401	51	111499	109	111768	51
111291	73	111402	35	111500	51	111777	53
111292	69	111404	51	111582	23	111778	109
111295	73	111415	23	111602	83	111779	109
111298	73	111430	133	111605	83	111783	33
111299	73	111432	109	111606	83	111784	33
111300	73	111433	109	111608	59	111785	59
111301	79	111434	109	111613	59	111795	111
111302	73	111435	109	111618	109	111819	73
111338	99	111436	53	111620	51	111820	73
111338	115	111437	23	111621	53	111848	129
111339	115	111438	99	111622	78	111959	73
111340	115	111439	99	111623	78	111960	73
111341	115	111440	59	111624	78	111961	73
111342	115	111442	47	111631	65	111962	73
111343	115	111442	59	111688	47	112002	117
111345	115	111445	57	111689	47	112003	117
111350	65	111448	35	111690	47	112003	123
111350	65	111457	105	111692	21	112003	125
111353	57	111458	83	111717	63	112007	75
111356	57	111466	53	111735	51	112008	117
111357	63	111468	109	111736	51	112012	75
111360	51	111469	109	111737	51	112024	47
111361	51	111470	109	111738	51	112030	65
111365	65	111471	109	111739	51	112044	59
111367	43	111472	109	111740	51	112053	57
111368	43	111473	109	111741	51	112054	57
111369	53	111474	109	111742	51	112055	67
111372	111	111475	109	111743	51	112062	57
111373	111	111476	109	111744	51	112063	57
111376	59	111477	109	111745	51	112067	57
111377	65	111478	109	111746	51	112068	57
111378	57	111479	109	111747	51	112073	57
111379	53	111480	109	111748	51	112074	57
111380	53	111481	109	111749	51	112077	57
111384	51	111483	109	111750	51	112078	57
111388	91	111484	109	111751	51	112081	31
111388	137	111485	109	111752	51	112082	31
111389	137	111488	109	111753	51	112092	59
111390	65	111489	109	111754	51	112093	31

NUMERICAL LIST

<u>PART NO.</u>	<u>PAGE</u>	<u>PART NO.</u>	<u>PAGE</u>	<u>PART NO.</u>	<u>PAGE</u>	<u>PART NO.</u>	<u>PAGE</u>
112095	59	112187	57	112261	61	112524	57
112099	57	112188	57	112263	83	112530	131
112102	41	112190	85	112264	83	112531	131
112108	57	112191	85	112265	57	112532	131
112110	57	112194	83	112266	79	112533	131
112114	55	112194	91	112269	39	112534	131
112115	55	112195	31	112274	69	112536	131
112116	55	112196	31	112280	99	112537	131
112120	61	112197	85	112281	113	112538	131
112121	61	112199	85	112282	113	112540	131
112121	63	112201	85	112283	113	112541	131
112122	41	112202	99	112400	130	112657	57
112126	41	112204	83	112401	130	112662	33
112131	61	112205	57	112402	130	112662	47
112132	57	112206	59	112403	130	112662	47
112134	57	112207	31	112404	131	112692	33
112135	57	112208	133	112405	131	112692	35
112140	43	112208	135	112406	131	112761	130
112142	59	112209	133	112407	131	112762	131
112143	133	112209	135	112410	43	112763	130
112143	135	112211	133	112415	43	112764	131
112145	59	112215	59	112416	41	112765	131
112146	111	112216	57	112419	85	112766	130
112147	57	112217	57	112420	85	112767	130
112149	67	112218	57	112428	125	112768	131
112150	43	112219	57	112433	125	112769	131
112151	43	112220	7	112437	37	112770	131
112152	43	112220	57	112438	125	112811	83
112153	59	112221	7	112441	125	112825	63
112154	59	112224	39	112442	125	112826	53
112156	43	112225	39	112443	43	112848	87
112160	67	112226	39	112448	37	112876	43
112161	67	112227	61	112449	57	112947	43
112165	130	112228	61	112454	53	112966	43
112166	130	112230	61	112461	37	112979	43
112167	130	112230	63	112475	111	112979	51
112168	130	112231	61	112476	63	112980	129
112169	130	112233	91	112481	63	112984	43
112175	67	112242	57	112484	63	112996	87
112176	67	112246	57	112485	63	112997	115
112177	63	112247	57	112486	63	113532	133
112177	67	112249	91	112487	53	113747	39
112179	85	112250	91	112490	100	113748	39
112180	57	112251	67	112491	100	115074	69
112181	85	112254	67	112493	100	115145	129
112182	91	112255	67	112508	57	115147	129
112183	85	112256	67	112517	57	118283	39
112184	91	112257	130	112520	115	118283	39
112185	67	112258	130	112523	57	135003	111

NUMERICAL LIST

<u>PART NO.</u>	<u>PAGE</u>	<u>PART NO.</u>	<u>PAGE</u>	<u>PART NO.</u>	<u>PAGE</u>	<u>PART NO.</u>	<u>PAGE</u>
135025	99	167047	37				
135148	129	167049	43				
135216	43	167050	43				
135224	43	167051	43				
135224	59	167053	43				
135258	43	167054	43				
135270	63	167055	43				
135270	63	167063	130				
135339	43	167028	109				
138002	109	B 1570	117				
138005	73	B2266	41				
160101	15	B2773	39				
162024	57	B2964	135				
162028	63	B2980	41				
162029	63	B2981	41				
162030	63						
162034	47						
163247	65						
163555	43						
163556	43						
163563	57						
163570	25						
163581	47						
167001	73						
167002	129						
167004	91						
167006	73						
167008	73						
167009	73						
167010	73						
167012	73						
167013	73						
167014	73						
167015	73						
167016	37						
167017	37						
167019	37						
167022	129						
167030	75						
167031	130						
167033	131						
167034	131						
167035	131						
167036	130						
167037	130						
167038	131						
167039	131						
167040	131						

**Model 9250/9350/9352/9352i, 4940/4950/4952/4952i, 2940/2950/2952/2952i,
8140/8150/8152/8152i
Windrower (Tractor Unit)
SUGGESTED STOCKING LIST**

P.C. REF	PART NUMBER	DESCRIPTION	SUGGESTED QTY.		ORDER QTY	UNIT PRICE	EXT. PRICE
			2 UNITS	5 UNITS			
<u>LIGHTS – Parts Catalog Pg 9</u>							
13	109224	BULB – headlight, 9005	2	5			
20	109113	BULB – worklight	5	10			
<u>CAB A/C & BLOWER - Parts Catalog Pg 29</u>							
2	42895	O-RING	5	10			
19	42445	CLEANER - air intake	0	2			
25	42925	SWITCH - low pressure	1	1			
26	42894	O-RING	5	10			
27	42896	O-RING	5	10			
<u>A/C - ENGINE GROUP - Parts Catalog Pg 31</u>							
3	112082	DRIER/RECEIVER	1	1			
4	112081	SWITCH – high pressure	1	1			
11	21964	BELT - compressor drive	1	1			
<u>ENGINE ASSEMBLY – CUMMINS ENGINE TRACTORS - Parts Catalog Pg 47</u>							
25	111688	BELT - fan / alternator	0	1			
28	111690	FILTER ELEMENT - oil	1	3			
29	111689	FILTER ELEMENT - fuel	1	3			
<u>ENGINE ASSEMBLY – ISUZU ENGINE TRACTORS – Parts Catalog Pg 53</u>							
15	111380	FILTER ELEMENT – oil	1	3			
16	111379	FILTER ELEMENT – fuel, primary	1	3			
19	112826	BELT – fan/alternator	0	2			
<u>FUEL SYSTEM – Parts Catalog Pg 57</u>							
28	111608	FILTER – fuel	1	3			
<u>ENGINE AIR INTAKE - CUMMINS ENGINE TRACTORS - Parts Catalog Pg 61</u>							
	111060	* FILTER - primary (outer), Nat. Asp.	1	2			
	111061	* FILTER - safety (inner), Nat. Asp.	1	2			
	111134	* FILTER - primary (outer), Turbo	1	2			
	111135	* FILTER - safety (inner), Turbo	1	2			
		* Order to suit engine type					
<u>ENGINE AIR INTAKE - ISUZU ENGINE TRACTORS & CUMMINS SN 174610 and ABOVE - Parts Catalog Pg 63</u>							
	112687	FILTER - primary (outer)	1	2			
	112688	FILTER - safety (inner)	1	2			
<u>HEADER DRIVE - Parts Catalog Pg 69</u>							
8	37551	BUSHING - plastic	2	4			
10	42086	● BELT - header drive	1	2			
23	50041	SEAL - oil, outer, clutch cylinder	1	1			
	50042	SEAL - oil, inner, clutch cylinder	1	1			
38	45959	■ BELT – header drive	1	2			
<p>● - MacDon 9250/9350, Westward 9250/9350, Prairie Star 4940/4950, Premier 2940/2950, Harvest Pro 8140/8150 ■ - MD 9352/9352i/9352c, WP 9352/9352i/9352c, PS 4952/4952i/4952c, PR 2952/2952i/2952c, HP8152/8152i/8152c</p>							
<u>DRIVELINE: ENGINE/GEARBOX - Parts Catalog Pg 75</u>							
9	42172	CROSS & BEARING KIT	0	1			

**Model 9250/9350/9352/9352i, 4940/4950/4952/4952i, 2940/2950/2952/2952i,
8140/8150/8152/8152i
Windrower (Tractor Unit)
SUGGESTED STOCKING LIST**

P.C. REF	PART NUMBER	DESCRIPTION	SUGGESTED QTY.		ORDER QTY	UNIT PRICE	EXT. PRICE
			2 UNITS	5 UNITS			
<u>HEADER DRIVE PULLEY - Parts Catalog Pg 76</u>							
2	7900	CUP - bearing	0	2			
5	7910	CONE - bearing, with seal	0	2			
<u>DRIVELINE: TRACTOR/HEADER - Parts Catalog Pg 78</u>							
2	111228	CROSS & BEARING KIT	1	3			
<u>NEUTRAL INTERLOCK - Parts Catalog Pg 75</u>							
3	21810	BUSHING - rubber	0	2			
<u>STEERING & GROUND SPEED - Parts Catalog Pg 81</u>							
2	50040	BUSHING - rubber	1	2			
<u>HYDRAULICS: HEADER DRIVE - Parts Catalog Pg 83</u>							
21	45205	FILTER - element	4	10			
29	49725	FLOW CONTROL - header drive	1	2			
32	111225	COIL - header drive block	1	2			
<u>HYDRAULICS: CYLINDER CONTROL - Parts Catalog Pgs 85, 88 & 89</u>							
24	112419	FILTER - element	4	10			
31	42125	SEAL KIT - L/H lift cylinder	0	1			
40	42126	SEAL KIT - R/H lift cylinder	0	1			
<u>HYDRAULICS: TRIPLE PUMP - Parts Catalog Pgs 93 & 94</u>							
15	50217	SHAFT SEAL - piston pump	0	1			
*	49861	SEAL KIT - triple pump	0	1			
*	49809	SEAL KIT - double gear pump	1	2			
<u>HYDRAULICS: WHEEL MOTOR - Parts Catalog Pg 97</u>							
24	49751	SEAL - shaft (2 Speed Units)	0	1			
<u>WHEEL MOTOR ASSEMBLY - Parts Catalog Pg 100, 101</u>							
2	30045	O-RING - power wheel/ motor seal	0	1			
2	50217	SEAL - shaft (Single Speed Units)	0	1			
<u>WHEEL MOTOR ASSEMBLY - Parts Catalog Pg 104</u>							
5	111106	SEAL - oil (two speed units - 7)	0	1			
27	111105	O-RING	0	1			
<u>WHEEL MOTOR ASSEMBLY - Parts Catalog Pg 107</u>							
5	49885	SEAL - oil (two speed units - 8B)	0	1			
25	111105	O-RING	0	1			
<u>WHEEL MOTOR ASSEMBLY - Parts Catalog Pg 109</u>							
5	111778	KIT - seal (two speed units - R&R)	0	1			
<u>PAINT - Parts Catalog Pg 129</u>							
	25991	PAINT - black, 1 litre	1	1			
	23957	PAINT - white, 1 litre	1	1			
	49832	PAINT - red, 1 US Quart	1	1			
	49833	ACTIVATOR - for paint, 1 US Pint	1	1			
	49834	REDUCER - for paint, 1 US Quart	1	1			