

PW8

Pick-Up Header

Parts Catalog

214265 Revision A

Original Instruction

PW8 Pick-Up Header



Published in May 2017

NOTE:

Keep your MacDon publications up-to-date. The most current version can be downloaded from our website (www.macdon.com) or from our Dealer-only site (<https://portal.macdon.com>) (login required).

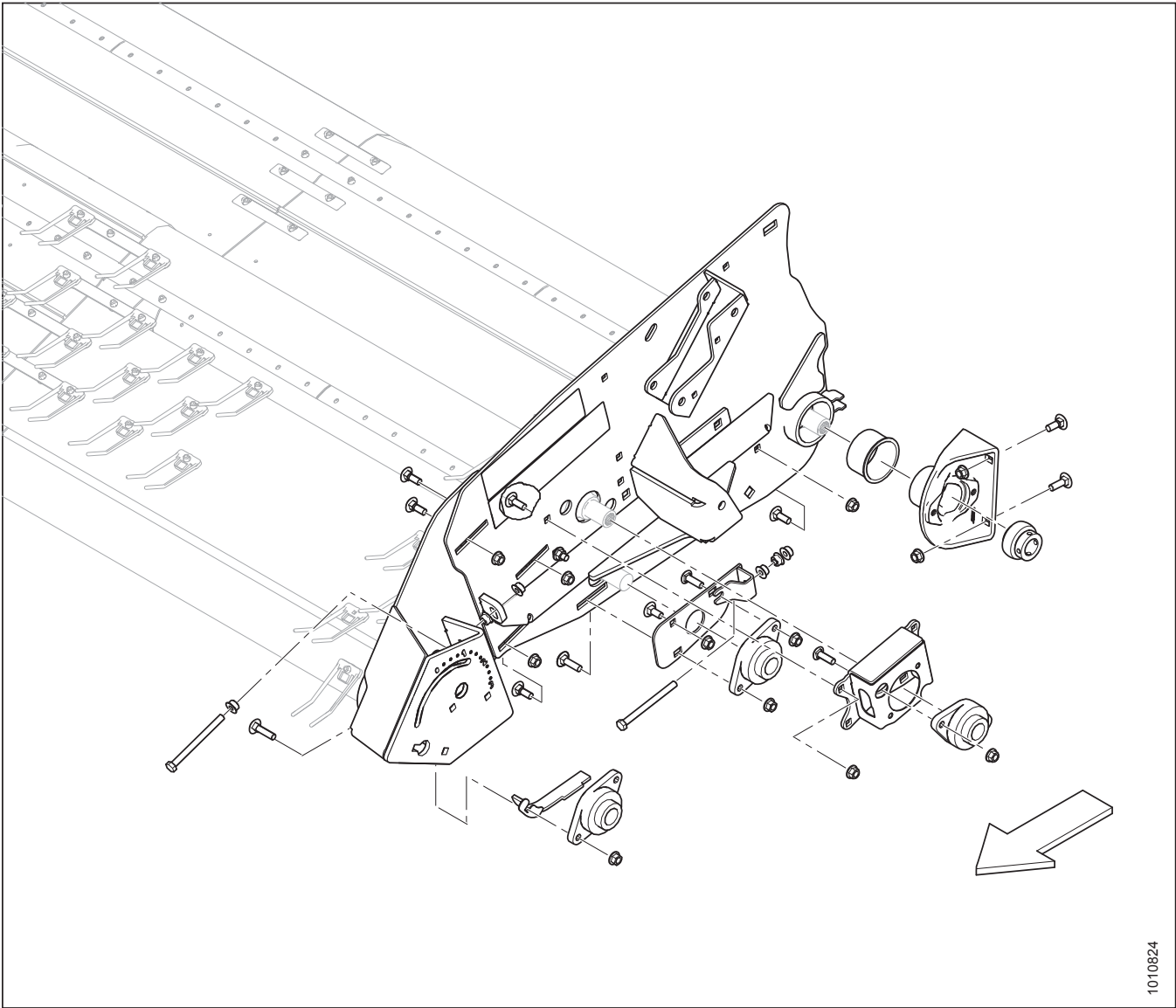
Introduction

This Parts Catalog lists all the replacement parts that can be ordered for a MacDon PW8 Pick-Up Header.

When ordering, be sure the complete and proper part number is given.

Bold text is used to indicate updates made at the current revision level. With each new revision of the catalog, previous revisions are returned to regular text.

In this catalog, right-hand (RH) and left-hand (LH) are determined from the operator's seated position in the combine. An arrow is sometimes used in illustrations to indicate forward position as shown below.



1010824

Abbreviations

A/R – as required (quantity varies)
ASSY – assembly
BHRN – button head rib neck
C/W – complete with
CCW – counterclockwise
CW – clockwise
CSK – countersink
DK – double knife
DT – distorted thread
FLG – flange
HDR – header
HYD – hydraulic
GS – grass seed
MFA – manual fore-aft
I.D. – inside diameter
LG – long
LH – left hand (determined from Operator's position, facing forward)
HFA – hydraulic fore-aft
NC – national coarse thread
NF – national fine thread
NSS – not serviced separately
O.D. – outside diameter
OPT – optional
PT – pull-type (mower conditioner)
REF – reference, part number called up elsewhere in catalog
RH – right hand (determined from Operator's position, facing forward)
RHSN – round head, square neck or square neck carriage bolt
RHSSN – round head, short, square neck
SER – serrated
SMV – slow moving vehicle
SK – single knife
SP – self-propelled (windrower) header
SPI – serrations per inch (knife sections)
UDK – untimed double knife

Serial Number Breaks

The side of the serial number on which the dash (–) appears determines whether the part is used "up to" or "after" the serial number given.

Example:

- –162249 Used on machines up to and including serial number 166249
- 166250– Used on machines including and after serial number 166250

Summary of Changes – PW8 (214265 Rev. A)

This list covers changes made since the last revision (147979 Rev. A).

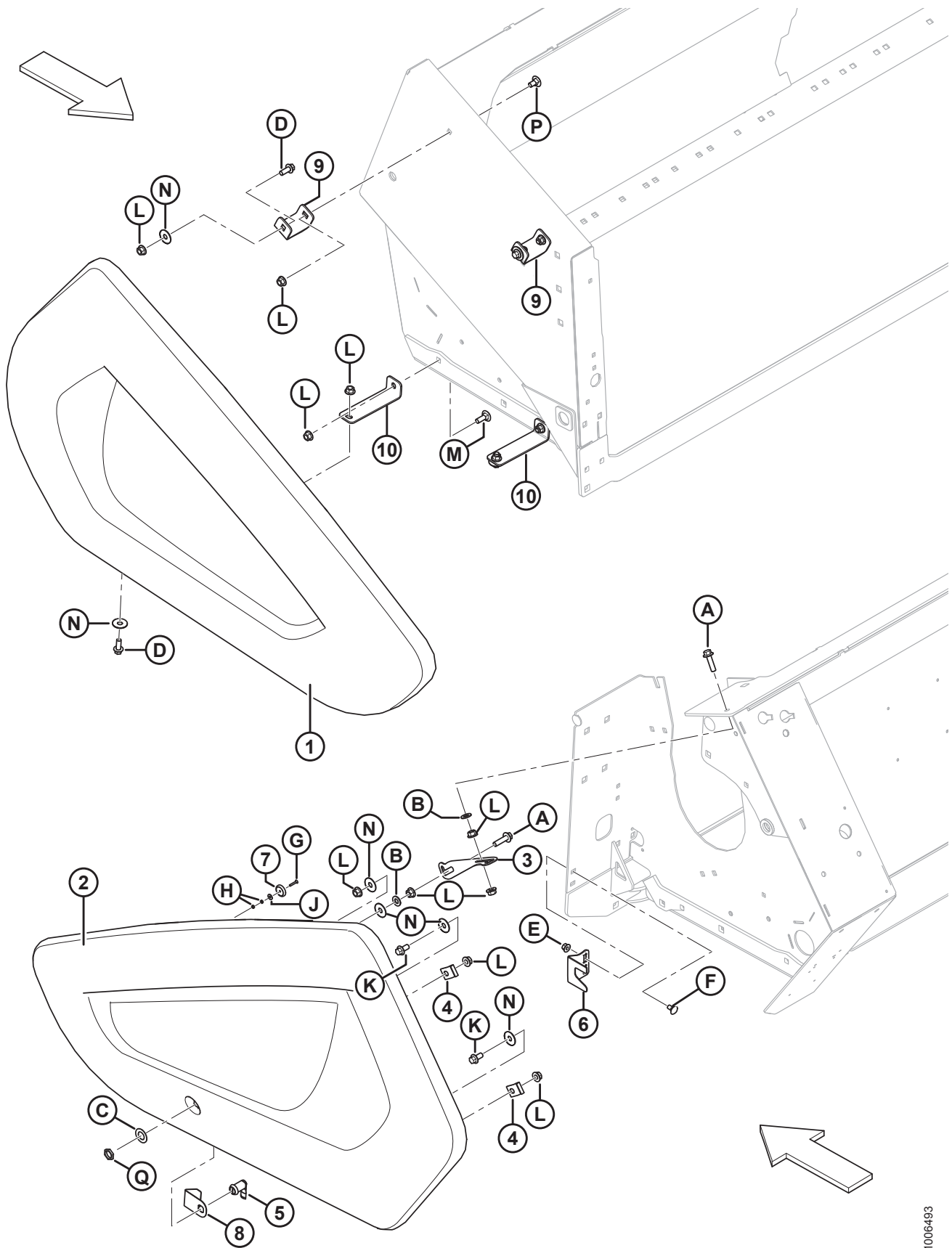
Section	Summary of Change	Internal Use Only
<i>2 Base Assembly, page 3</i>	152825 superseded by 237609 and removed from list.	ECN 54871
<i>4 Base Assembly Hydraulics, page 9</i>	Added missing fastener 21763 (item #16) to list.	Information Technology
<i>6 Auger Assembly – 2015 and Prior, page 13</i>	Replaced bolt 136572 with bolt 197154.	ECN 54953
	Appended chapter title for units made in 2015 and prior, added parts for units serviced with rework kit 237728, and updated rework kit footnote for clarity. Created new illustration (1022248) to show new wear pads.	Engineering Tech Pubs
<i>7 Auger Assembly – 2016 and Later, page 17</i>	Added new chapter for “Auger Assembly – 2016 and Later” with new illustration (1021280).	
<i>8 Auger Internal Assembly, page 19</i>	Updated description of finger assembly 182007 and revised footnote for clarity.	Engineering
	152995 superseded by 237842, added kit 237912.	ECN 52704
	Added Split Finger Holder kit 276839 and service parts.	ECN 52843
	Created new illustration (1022229) to reflect above changes.	Tech Pubs
<i>9 Auger Dent Repair Kit, page 23</i>	Added new chapter for “Auger Dent Repair Kit” with new illustration (1022219).	ECR 10887 ECN 50803
<i>10 Cutterbar Seal, page 25</i>	Added LH, RH to descriptions of supports 237433, 237435.	ECN 55031
	237440 superseded by 237857. Created new illustration (1022233) to show new rubber flap.	ECN 53632
<i>16 Wheel Assembly – Fixed Wheels, page 37</i>	Added “– Fixed Wheels” to chapter title.	ECN 53641
	Corrected quantity of bearing 237765 from 2 to 4.	ECN 53828
	Created new illustration (1022438) to correctly show 237725.	Engineering
<i>17 Wheel Assembly – Caster Wheels, page 39</i>	Added new chapter for “Wheel Assembly – Caster Wheels” with new illustration (1022320).	ECN 53641
<i>18 Combine Completion – Connection (CNH), page 41</i>	Added driveline kits B6361, B6362, and 21-tooth splined driveline 152556 to list.	ECN 54007
<i>20 Combine Completion – Sensors (New Holland, 10 Volt), page 45</i>	Removed “REEL” from description of harness 152552.	Parts

Section	Summary of Change	Internal Use Only
<i>24 Combine Completion – Hydraulic/Electric, 2015 and Prior (JD), page 53</i>	Appended chapter title for units made in 2015 and prior.	ECN 52583 ECN 53638 G152817 Tech Pubs
	Corrected bolt A and nut C part numbers to 135894 and 135337 respectively.	
<i>25 Combine Completion – Hydraulic / Electric, 2016 and Later (JD), page 55</i>	Added new chapter for “Combine Completion – Hydraulic/ Electric, 2016 and Later” with new illustration (1022345).	

TABLE OF CONTENTS

Introduction	i
Abbreviations	ii
Serial Number Breaks	iii
Summary of Changes – PW8 (214265 Rev. A)	iv
1 Endshields	1
2 Base Assembly	3
3 Base Assembly Misc	7
4 Base Assembly Hydraulics	9
5 Lights	11
6 Auger Assembly – 2015 and Prior	13
7 Auger Assembly – 2016 and Later	17
8 Auger Internal Assembly	19
9 Auger Dent Repair Kit	23
10 Cutterbar Seal	25
11 Decks – Mechanism	27
12 Decks – Motors	29
13 Decks – Drapers and Rollers	31
14 Hold-Down Assembly	33
15 Hold-Down Performance Option	35
16 Wheel Assembly – Fixed Wheels	37
17 Wheel Assembly – Caster Wheels	39
18 Combine Completion – Connection (CNH)	41
19 Combine Completion – Sensors (CNH)	43
20 Combine Completion – Sensors (New Holland, 10 Volt)	45
21 Combine Completion – Hydraulic/Electric (CNH)	47
22 Combine Completion – Connection (JD)	49
23 Combine Completion – Sensors (JD)	51
24 Combine Completion – Hydraulic/Electric, 2015 and Prior (JD)	53
25 Combine Completion – Hydraulic / Electric, 2016 and Later (JD)	55
26 Combine Completion – Connection (Versatile)	59
27 Combine Completion – Sensors (Versatile)	61
28 Combine Completion – Hydraulic/Electric (Versatile)	63
29 Driveline Components – MD #152556	65
30 Driveline Components – MD #152558	67
31 Decals – Information	69
32 Decals – Product Identification, MacDon	71
33 Decals – Safety/Reflectors	73
Index	76

1 Endshields

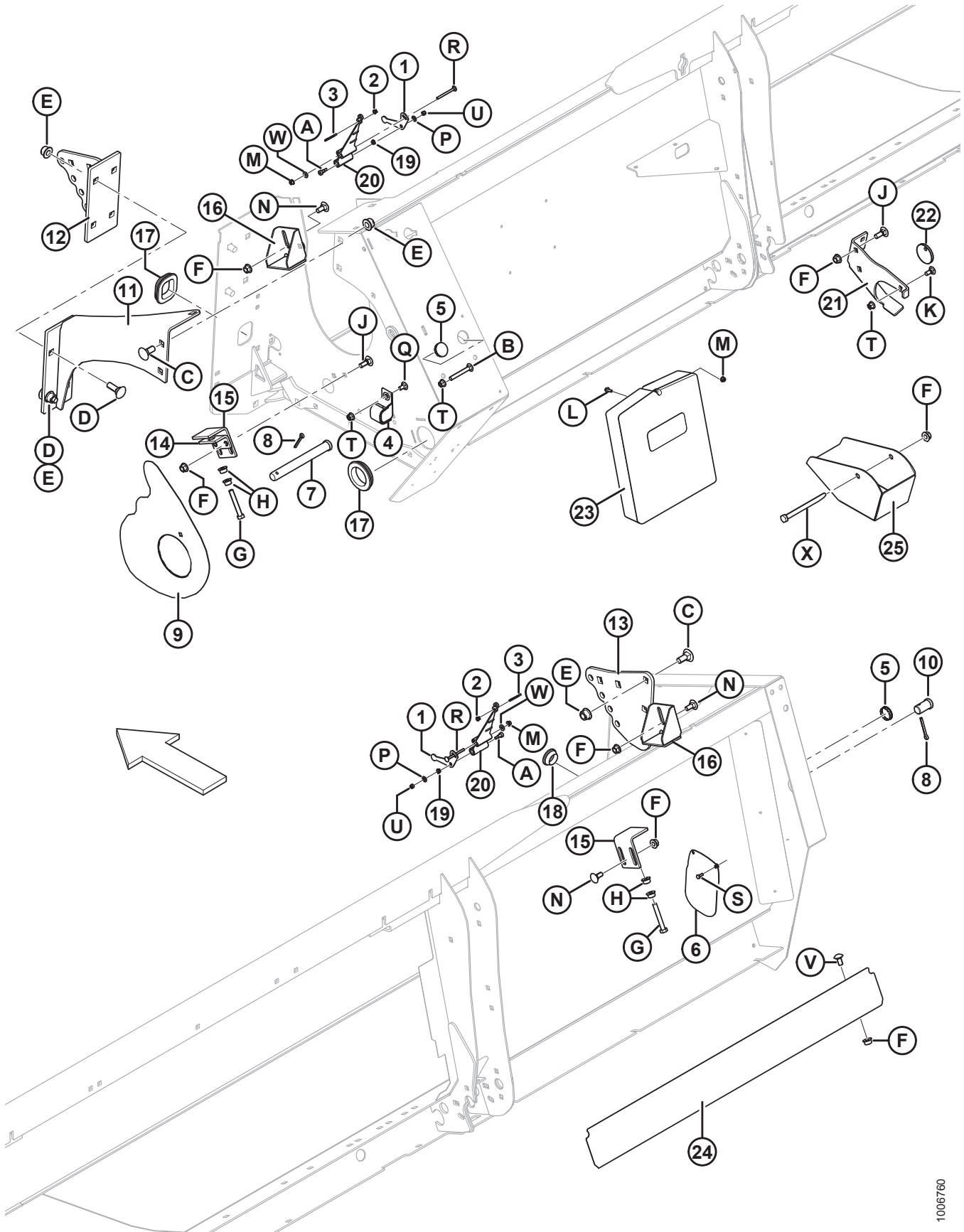


ENDSHIELDS

Ref	Part Number	Description	Qty	Serial Number
1	237155	SHIELD – RH, WITH DECAL	1	
2	197291	SHIELD – LH, WITH DECAL	1	
3	237084	SUPPORT	1	
4	237165	HINGE	2	
5	136680	LATCH – COMPRESSION CAM	1	
6	237432	SUPPORT – LATCH	1	266820–
	237346	SUPPORT – LATCH ¹	1	–266819
7	135923	MAGNET AND CLIP SET	1	
8	237431	STOP – LH SHIELD	1	266820–
	237352	STOP – LH SHIELD ²	1	–266819
9	237127	SUPPORT	2	
10	237355	SUPPORT	2	
A	136663	BOLT – HEX FLG HD TFL M12 X 1.75 X 45-10.9-A3L		
B	18599	WASHER – SAE FLAT 17/32 I.D. X 1-1/16 IN. O.D. ZP		
C	136681	WASHER – FLAT		
D	148798	BOLT – HEX FLG HD M12 X 1.75 X 30-10.9-A3L		
E	50101	NUT – HEX FLG STVR LOC M10 X 1.5-10-A3L		
F	136178	BOLT – RHSN M10 X 1.5 X 20-8.8-A3L		
G	136038	SCREW – HEX SOC CSK HD TFL M4 X 0.7 X 25-10.9-A3L		
H	30855	NUT – HEX M4 X 0.7-8-A2L		
J	184701	WASHER – FLAT LARGE M5-200HV-A2L		
K	136399	BOLT – HEX FLG HD TFL M12 X 1.75 X 25-8.8-A3L		
L	148645	NUT – HEX FLG STVR LOC M12 X 1.75-10-A3L		
M	152601	BOLT – RHSN M12 X 1.75 X 35-10.9-A3L		
N	32247	WASHER – FLAT		
P	135903	BOLT – RHSN M12 X 1.75 X 25-8.8-A3L		
Q	136700	NUT – M22 X 1.5 SPECIAL		

-
1. Service part only for units made prior to 2015. For units made in 2015 and forward, order MD #237432.
 2. Service part only for units made prior to 2015. For units made in 2015 and forward, order MD #237431.

2 Base Assembly

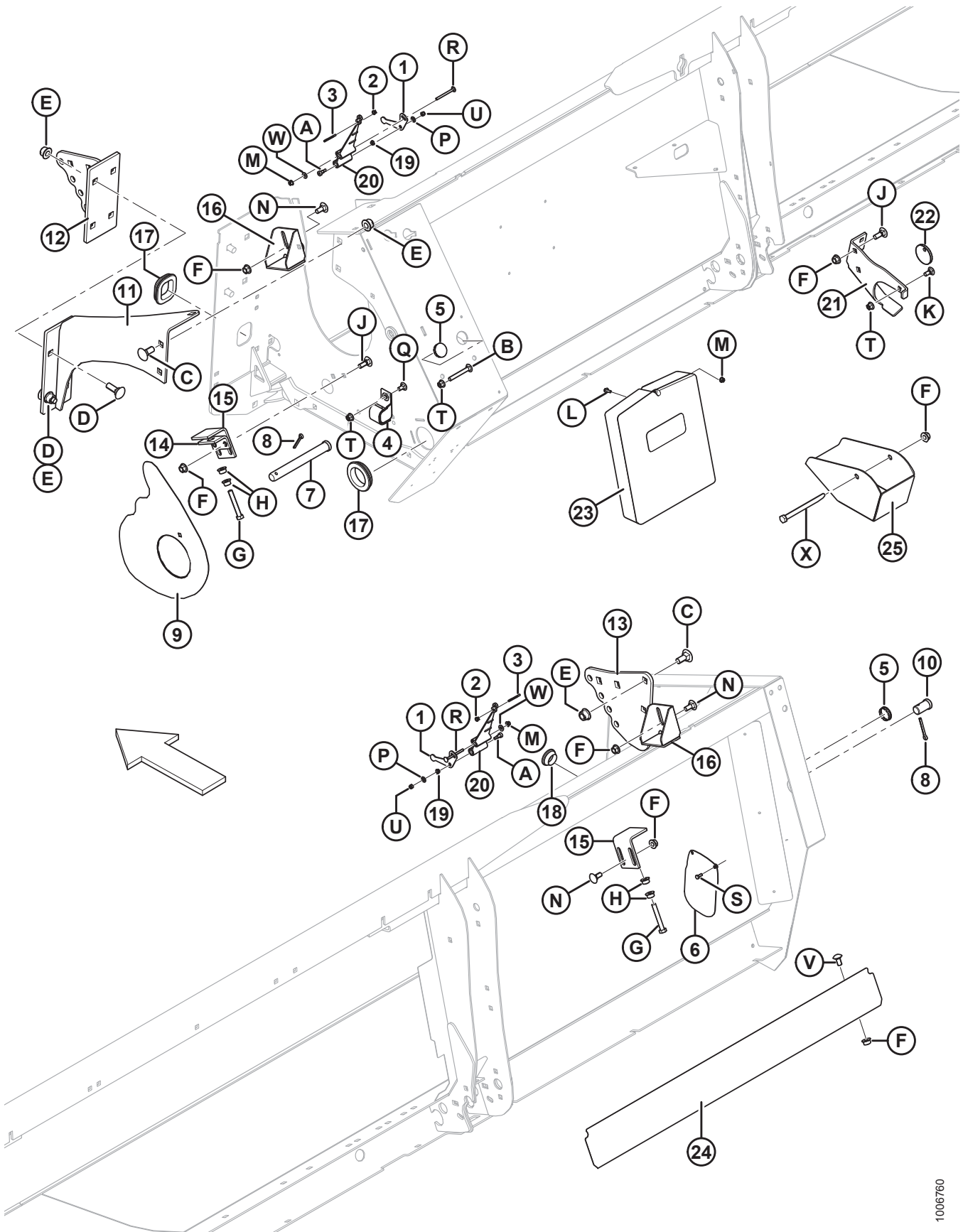


BASE ASSEMBLY

Ref	Part Number	Description	Qty	Serial Number
1	197139	ARM – SENSOR ACTIVATION	2	
2	153492	CLIP – ROD END	2	
3	158256	LINKAGE ROD	2	
4	163598	STRAP – VELCRO, HANGING	2	
5	110783	PLUG – HOLE (Ø1.5 IN.)	2	
6	197941	COVER WELDMENT	1	
7	197157	PIN – CLEVIS	1	
8	18609	PIN – COTTER 1/4 DIA X 2 ZP	2	
9	152867	COVER – DRIVELINE	1	
10	152525	PIN – CLEVIS	1	
11	197226	WELDMENT – BRACE	1	
12	237473	FLOAT ANCHOR WELDMENT, LH	1	
13	237474	PLATE – RH FLOAT ANCHOR	1	
14	237037	ANGLE	1	
15	152419	BRACKET	2	
16	237609	BRACKET – AUGER STOP	2	
17	172877	GROMMET – 2.38 IN. I.D.	2	
18	42080	GROMMET	2	
19	156969	BUSHING – PLASTIC	2	
20	197094	ARM – SENSOR CONTROL	2	
21	237446	HOLDER WELDMENT	1	266820–
	237122	HOLDER WELDMENT ³	1	–266819
22	133165	DISC – LOCK, DRIVELINE	1	
23	220107	CASE – MANUALS	1	
24	152786	COVER – REAR BOTTOM BEAM	1	
25	237506	STAND WELDMENT	3	

3. Service part only for units made prior to 2015. For units made in 2015 and forward, order MD #237446.

BASE ASSEMBLY

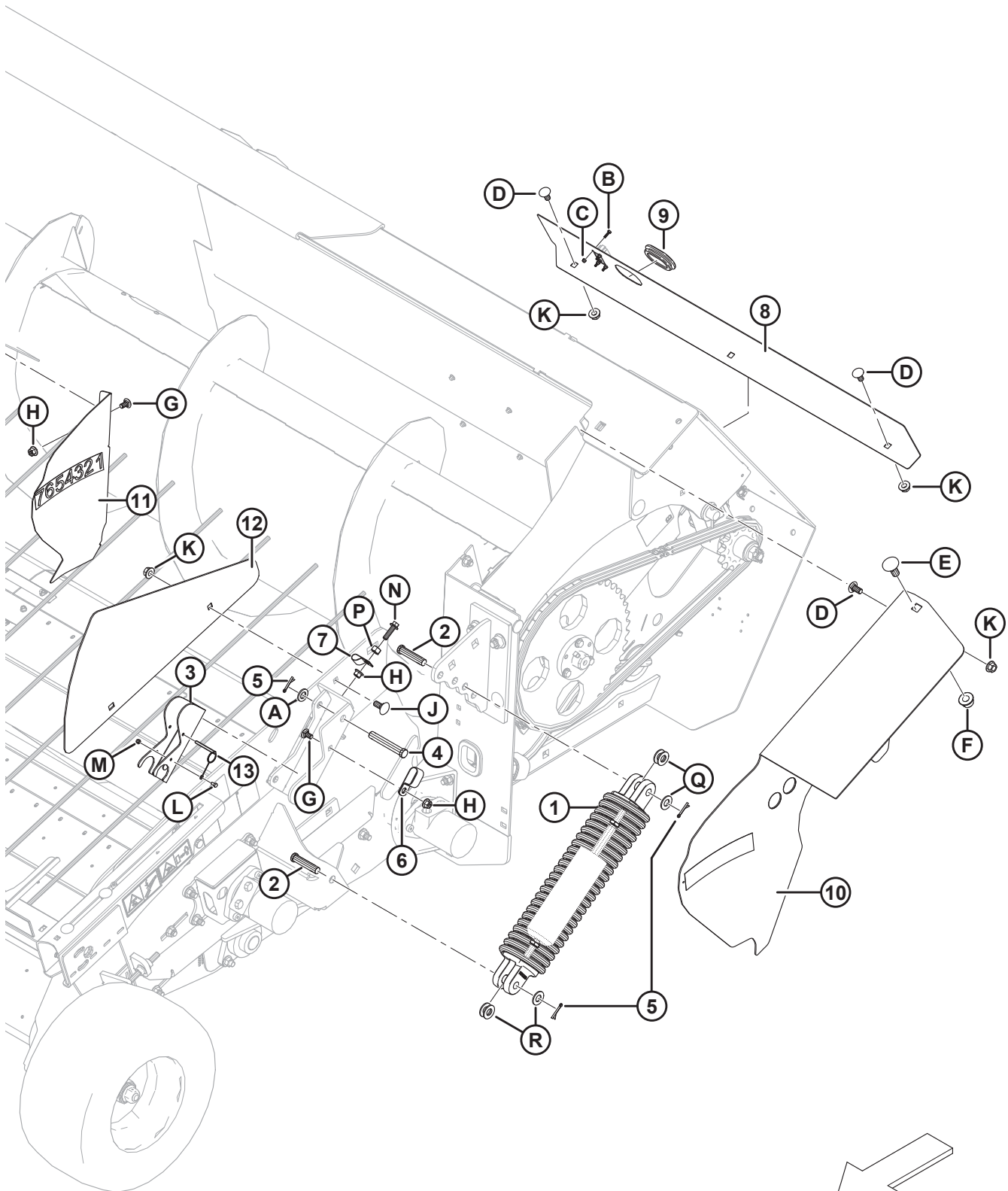


1006760

BASE ASSEMBLY

Ref	Part Number	Description	Qty	Serial Number
A	197135	SCREW – HEX SOC HD SHLDR 8 X 10-12.9-A2L		
B	152157	BOLT – RHSN M10 X 1.5 X 80-8.8-A3L		
C	152685	BOLT – RHSN M16 X 2 X 40-10.9-A3L		
D	197154	BOLT – RHSN M16 X 2 X 50-10.9-A3L		
E	152520	NUT – HEX FLG TECH LOC M16 X 2-10-A3L		
F	148645	NUT – HEX FLG STVR LOC M12 X 1.75-10-A3L		
G	184674	BOLT – HEX HD TFL M12 X 1.75 X 80-8.8-A3L		
H	136036	NUT – HEX SMTH FLNG M12 X 1.75-8-A3L		
J	136291	BOLT – RHSN TFL M12 X 1.75 X 35-8.8-A3L		
K	135785	BOLT – RHSN M10 X 1.5 X 25-8.8-A3L		
L	135959	BOLT – HEX FLG HD M6 X 1 X 16-10.9-A2L		
M	152668	NUT – HEX FLG CTR LOC M6 X 1-8-A2L		
N	184667	BOLT – RHSN M12 X 1.75 X 30-8.8-A3L		
P	184708	WASHER – FLAT M8-200HV-A2L		
Q	136178	BOLT – RHSN M10 X 1.5 X 20-8.8-A3L		
R	197173	BOLT – RHSN M6 X 1 X 70-8.8-A2L		
S	184642	BOLT – HEX HD TFL M6 X 1 X 16-8.8-A2L		
T	50101	NUT – HEX FLG STVR LOC M10 X 1.5-10-A3L		
U	184685	NUT – HEX NYLOC M6 X 1-8-A2L		
V	152439	BOLT – RHSSN M12 X 1.75 X 25-8.8-A3L		
W	18596	WASHER – SAE FLAT 9/32 I.D. X 5/8 IN. O.D. ZP		
X	135696	BOLT – HEX HD M12 X 1.75 X 150-8.8-A3L		

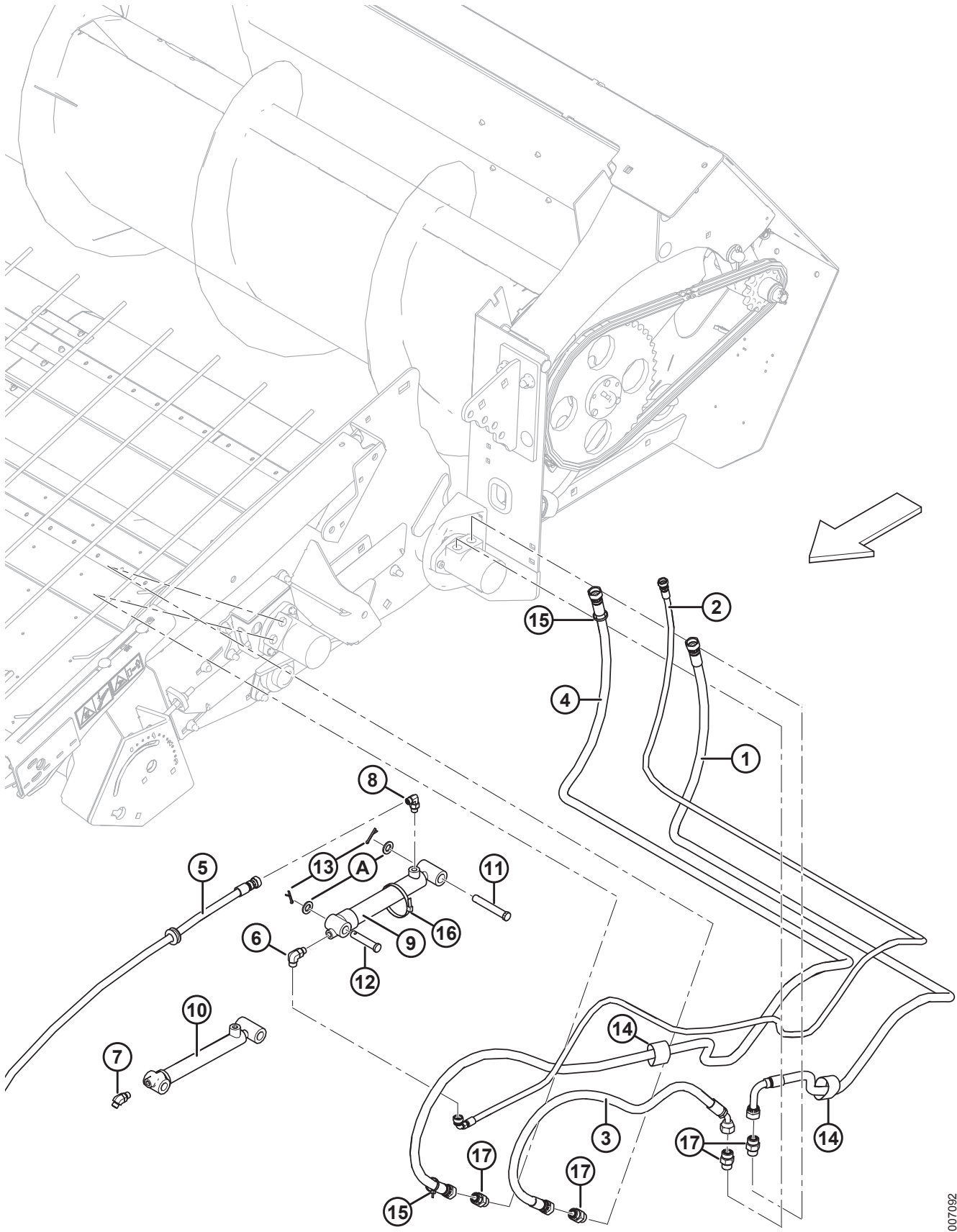
3 Base Assembly Misc



BASE ASSEMBLY MISC

Ref	Part Number	Description	Qty	Serial Number
1	237550	DAMPENER ASSEMBLY – EXTENSION	2	
2	18704	PIN – CLEVIS	4	
3	197808	SUPPORT	2	
4	103105	PIN – CLEVIS	4	
5	18648	PIN – COTTER 3/16 DIA X 1.25 ZP	2	
6	103738	CLAMP – PVC INSULATED 13/16 IN. TUBE SIZE	1	
7	135232	CLAMP – DOUBLE HOSE INSULATED	1	
8	237194	COVER – REAR BOTTOM BEAM	1	
9	123982	GROMMET – 53.7 MM I.D.	1	
10	237727	PANEL – C/W DECAL, LH	1	
11	197517	PANEL – C/W DECAL, RH	1	
12	237016	DEFLECTOR – CROP	2	
13	237363	PIN – DETENT WITH 8 IN. LANYARD	2	
A	184717	WASHER – FLAT REG M16-200HV-A3L		
B	197319	BOLT – HEX HD TFL M4 X 0.7 X 16-8.8-A2L		
C	197320	NUT – HEX NYLOC M4 X 0.7-8-A2L		
D	152439	BOLT – RHSSN M12 X 1.75 X 25-8.8-A3L		
E	152685	BOLT – RHSN M16 X 2 X 40-10.9-A3L		
F	152520	NUT – HEX FLG TECH LOC M16 X 2-10-A3L		
G	184657	BOLT – RHSSN M10 X 1.5 X 20-8.8-A3L		
H	50101	NUT – HEX FLG STVR LOC M10 X 1.5-10-A3L		
J	184667	BOLT – RHSN M12 X 1.75 X 30-8.8-A3L		
K	148645	NUT – HEX FLG STVR LOC M12 X 1.75-10-A3L		
L	136263	BOLT – HEX HD TFL M5 X 0.8 X 10-8.8-A2L		
M	197230	NUT – HEX NYLOC M5 X 0.8-8-A2L		
N	136211	BOLT – HEX FLG HD M10 X 1.5 X 35-8.8-A3L		
P	184694	NUT – HEX M12 X 1.75-8-A3L		
Q	18600	WASHER – SAE FLAT 21/32 ID X 1 5/16 IN OD ZP		

4 Base Assembly Hydraulics

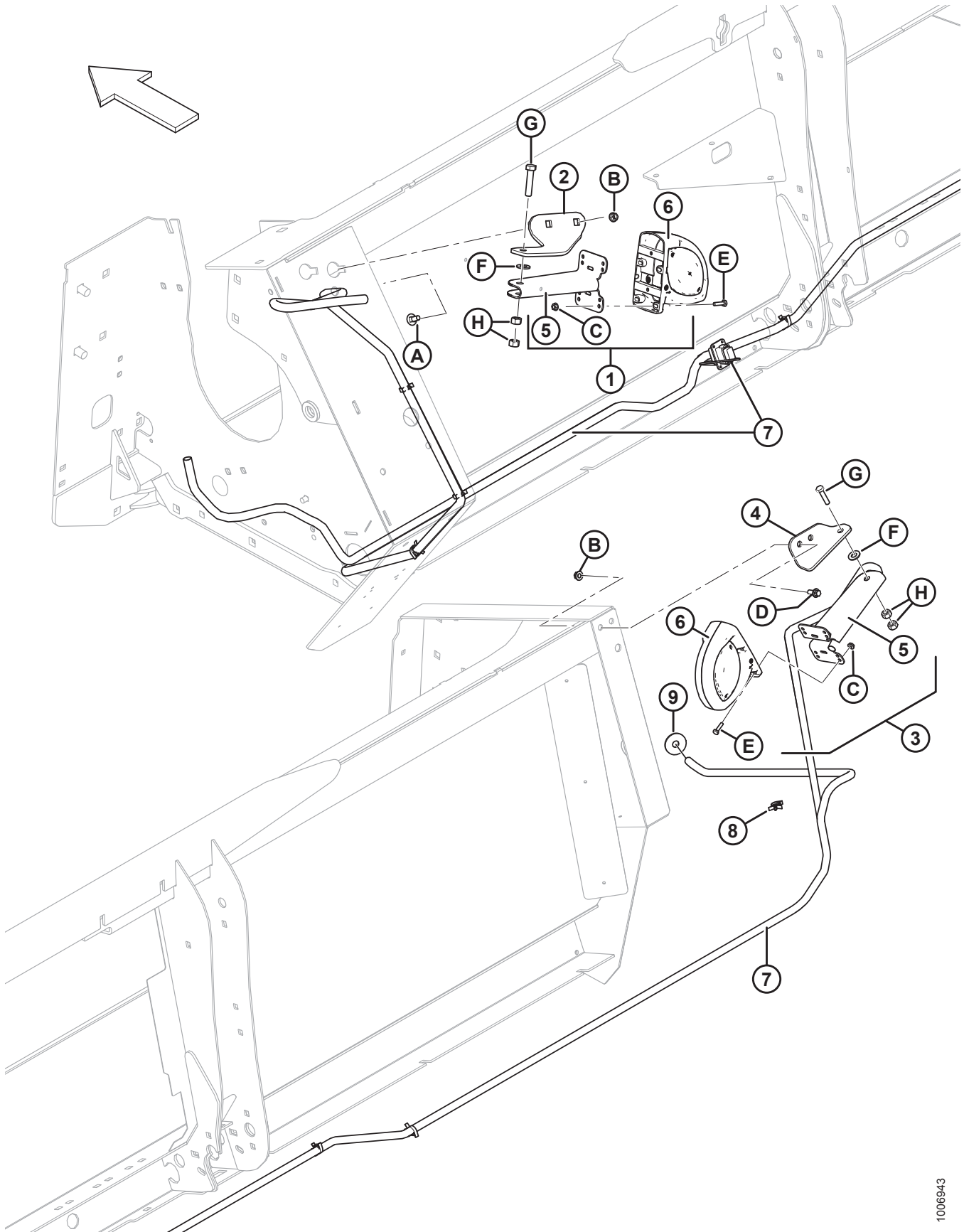


BASE ASSEMBLY HYDRAULICS

Ref	Part Number	Description	Qty	Serial Number
1	237177	HOSE – HYD	1	
2	237179	HOSE – HYD	1	
3	237178	HOSE – HYD	1	
4	237176	HOSE – HYD	1	
5	237180	HOSE – HYD ⁴	2	
6	136095	FITTING – ELBOW 90° HYD	1	
7	136535	FITTING – ELBOW 45° HYD	1	
8	136239	FITTING – ELBOW 90° HYD	1	
9	237381	CYLINDER – HYD RAM, MASTER (LH)	1	
	197498	SEAL KIT		
10	197492	CYLINDER – HYD RAM, SLAVE (RH)	1	
	197500	SEAL KIT		
	237674	PLUG – CYLINDER BLEED	1	
11	103105	PIN – CLEVIS	4	
12	18738	PIN – CLEVIS	2	
13	18648	PIN – COTTER 3/16 DIA X 1.25 ZP	2	
14	135443	FASTENER – CINCH STRAP 4 IN. LG	3	
15	40701	FASTENER – CABLE TIE (YELLOW)	1	
16	21763	FASTENER – CABLE TIE (BLACK)	1	
17	184461	FITTING – ADAPTER 10 MORFS X 10 MORB	4	
A	184717	WASHER – FLAT REG M16-200HV-A3L		

4. For grommet (MD #112520) attached to hose refer to Section *14 Hold-Down Assembly, page 33*.

5 Lights



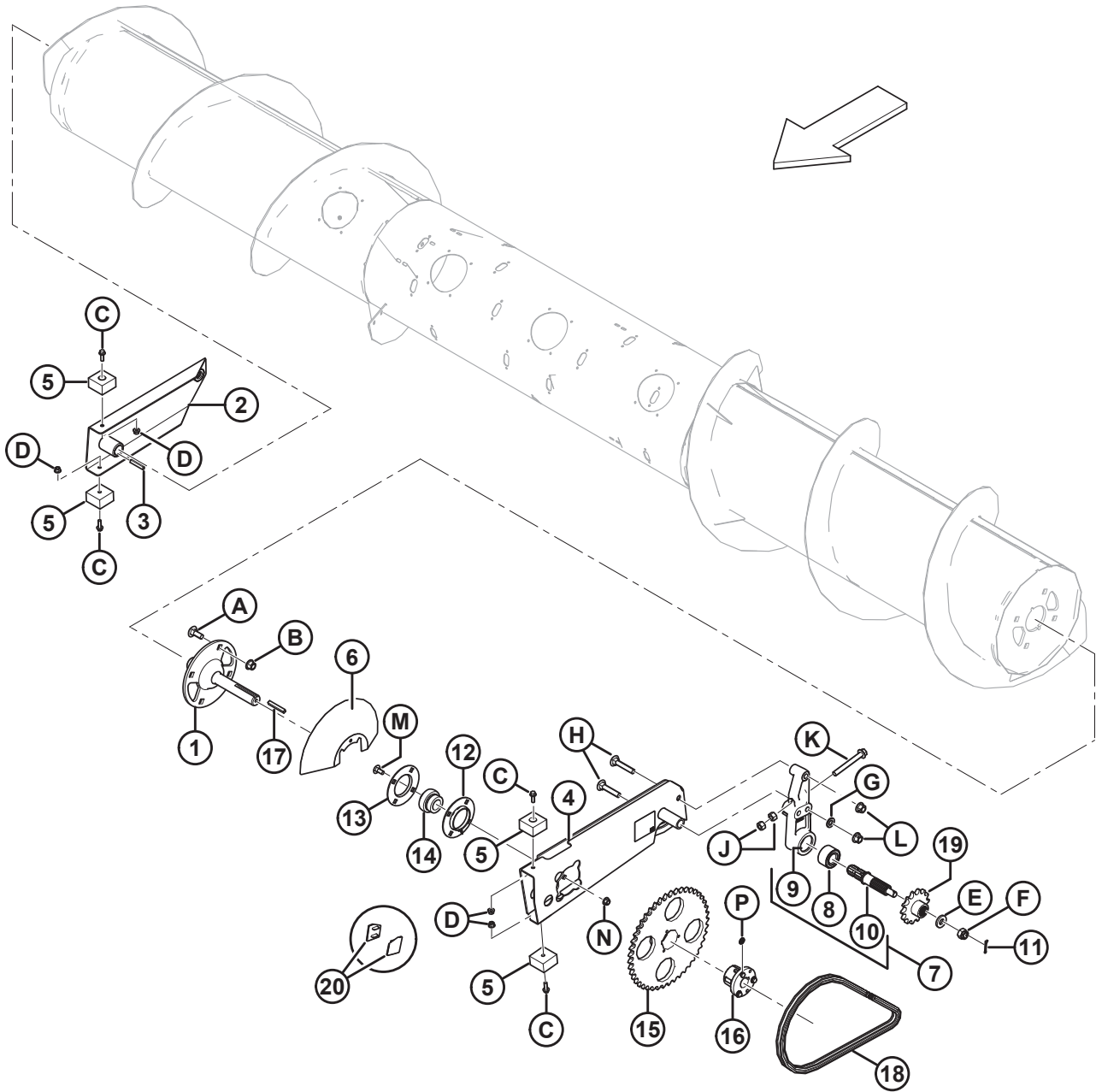
LIGHTS

Ref	Part Number	Description	Qty	Serial Number
1	251016	ASSY – LH HEADER LIGHTING ⁵	1	
2	237191	SUPPORT – AMBER LAMP, LH	1	
3	251017	ASSY – RH HEADER LIGHTING ⁵	1	
4	237192	SUPPORT – AMBER LAMP, RH	1	
5	125343	BRACKET – HEADER LIGHT	2	
6	203547	LAMP – CLEARANCE	2	
	139630	LENS, AMBER		
7	237396	HARNESS – WIRING, BASE HEADER	1	266820–
	197175	HARNESS – WIRING, BASE HEADER ⁶	1	–266819
8	184301	CLAMP	15	
9	42080	GROMMET	2	
A	184667	BOLT – RHSN M12 X 1.75 X 30-8.8-A3L		
B	148645	NUT – HEX FLG STVR LOC M12 X 1.75-10-A3L		
C	152668	NUT – HEX FLG CTR LOC M6 X 1-8-A2L		
D	148798	BOLT – HEX FLG HD M12 X 1.75 X 30-10.9-A3L		
E	136252	SCREW – PAN HD M6 X 1.0, 8.0 MM LG, ZP		
F	18599	WASHER – SAE FLAT 17/32 I.D. X 1-1/16 IN. O.D. ZP		
G	152779	BOLT – HEX HD M12 X 1.75 X 55-8.8-A3L		
H	184694	NUT – HEX M12 X 1.75-8-A3L		

5. Includes bracket (MD #125343), lamp (MD #203547), and hardware (MD #152668, 136252).

6. Service part only for units made prior to 2015. For units made in 2015 and forward, order MD #237396.

6 Auger Assembly – 2015 and Prior

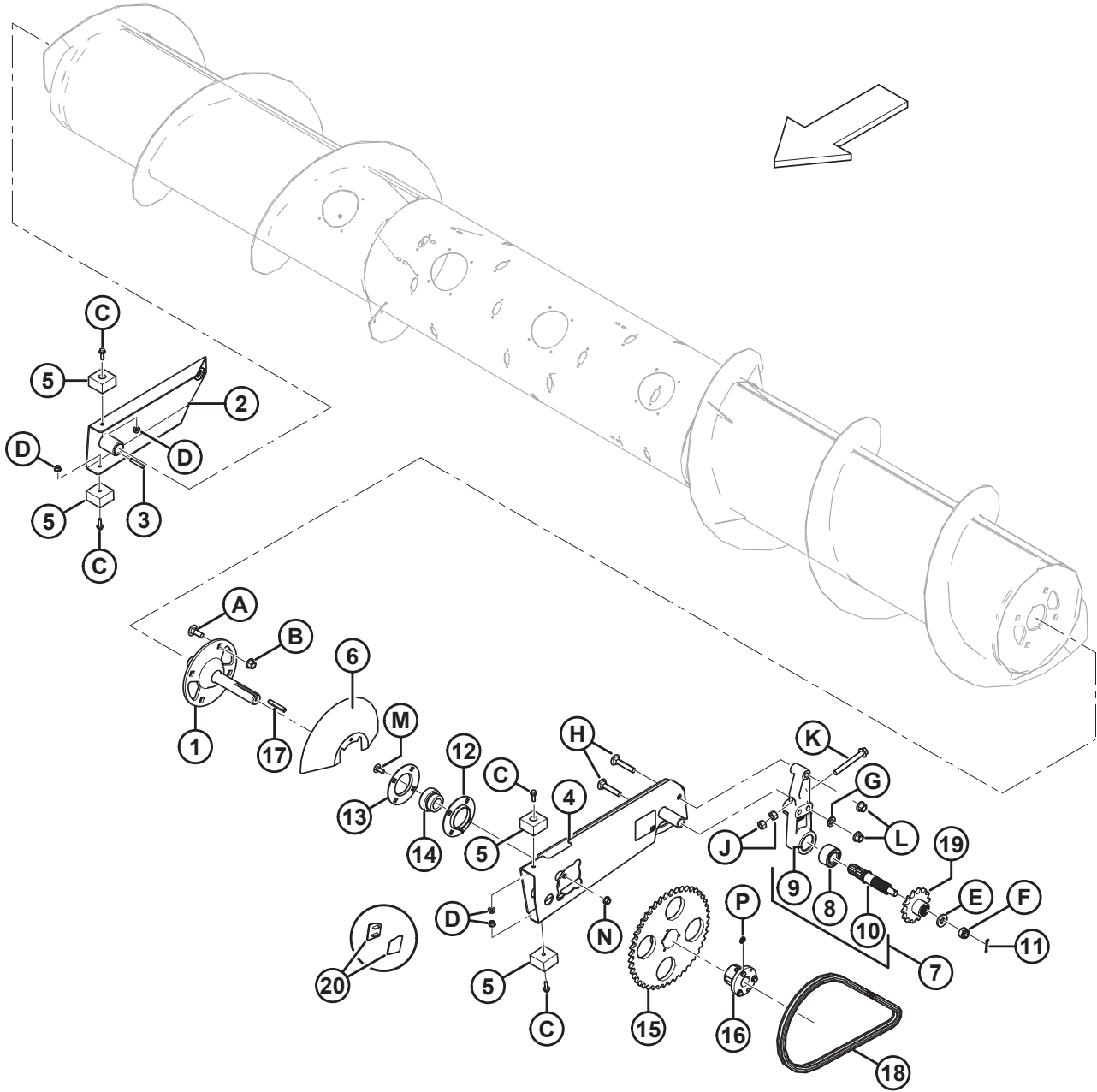


AUGER ASSEMBLY – 2015 AND PRIOR

Ref	Part Number	Description	Qty	Serial Number
1	237673	SHAFT – MACHINING ⁷	1	
	237706	SHAFT WELDT ⁸	A/R	
2	152384	SUPPORT – AUGER RH WELDT	1	
3	182042	KEY – 8 X 10 X 60	1	
4	237552	SUPPORT – LH AUGER ARM C/W DECAL ⁷	1	
	237789	SUPPORT – LH AUGER ARM C/W DECAL ⁸	A/R	
5	152266	STOP – RUBBER	4	
6	237238	SHIELD ⁷	1	
	237702	SHIELD – AUGER SHAFT ⁸	A/R	
7	237778	HUB – AUGER DRIVE C/W BEARING	1	
8	237782	BEARING – DOUBLE ROW BALL 68 O.D. X 35 BORE	1	
9	152355	RING – RETAINING INTERNAL	1	
10	237772	SHAFT – AUGER DRIVE	1	
11	18607	PIN – COTTER 5/32 DIA X 1.5 ZP	1	
12	21374	FLANGE (2015–PRIOR)	1	–285419
	237701	FLANGETTE, 100 MM ⁸	A/R	
13	21703	FLANGE (2015–PRIOR)	1	–285419
	237701	FLANGETTE, 100 MM ⁸	A/R	
14	143973	BEARING – SPH OD C/W LC 1-1/2 IN. BORE (2015–PRIOR)	1	–285419
	237698	BEARING – SPH OD C/W LC 2 IN. BORE ⁸	A/R	
15	197692	SPROCKET-B – RC 80 45T	1	
16	237546	BUSHING – SPLIT TAPER Q1 X 1-1/2 IN. BORE (2015–PRIOR)	1	–285419
	237700	BUSHING – SPLIT TAPER Q1 X 2 IN. BORE ⁸	A/R	
17	197743	KEY – 3/8 SQ X 75 MM (2015–PRIOR)	1	–285419
	237709	KEY – 1/2 SQ X 70 MM ⁸	A/R	
18	152524	CHAIN – RC-80, 72 PITCHES RIVETED, ENDLESS	1	
19	237649	SPROCKET – RC 80 14 TOOTH	1	
	237650	SPROCKET – RC 80 16 TOOTH, OPTIONAL	1	
20	237705	PAD – WEAR ⁸	A/R	

7. Rework kit MD #237729 is required to replace part for Model Year 2015 units and earlier. Kit includes all required parts and hardware. To order service parts for Model Year 2016 units and later, refer to Section 7 [Auger Assembly – 2016 and Later, page 17](#).
8. Service part only for units that have been serviced with rework kit MD #237729.

AUGER ASSEMBLY – 2015 AND PRIOR

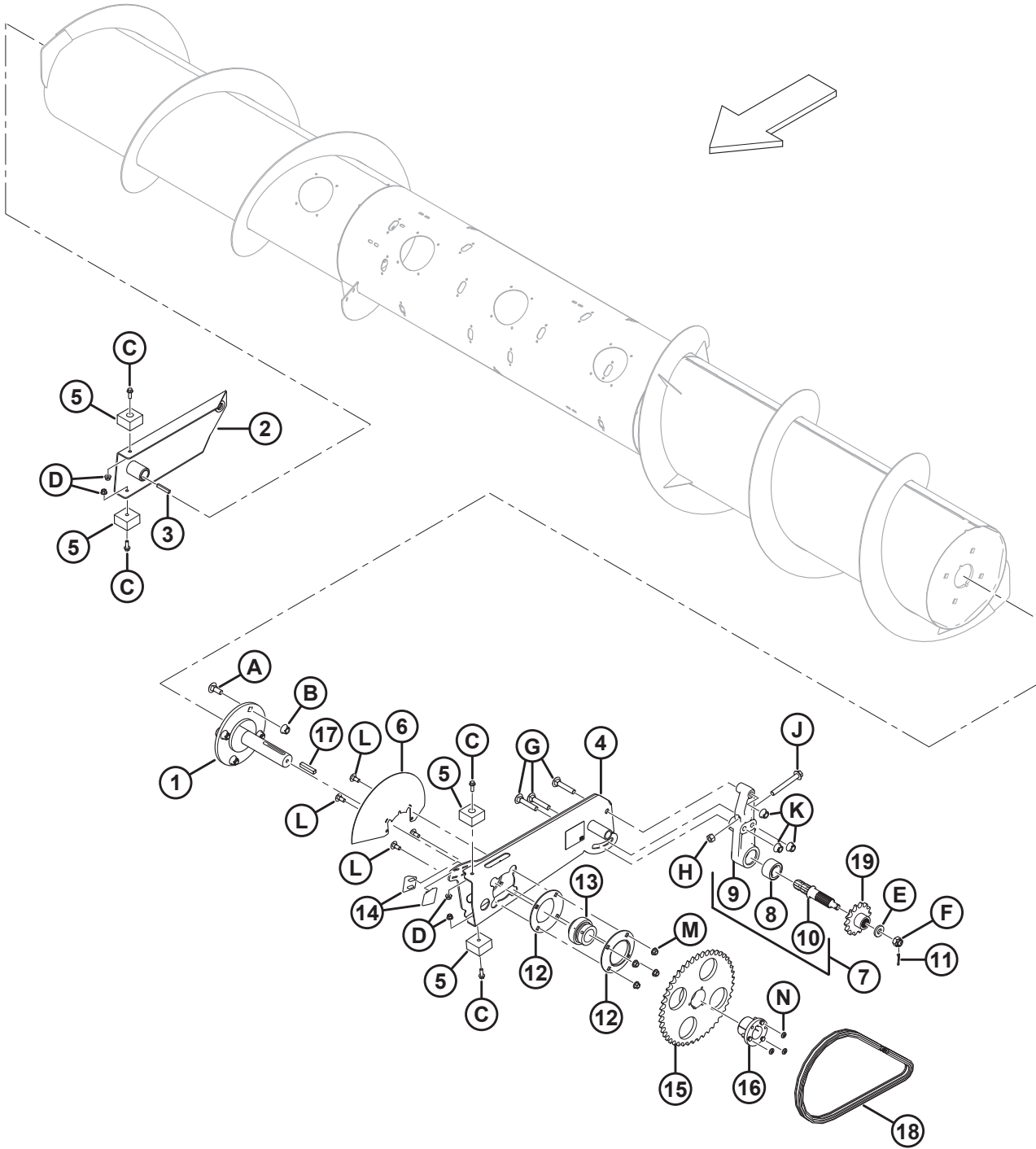


1022248

AUGER ASSEMBLY – 2015 AND PRIOR

Ref	Part Number	Description	Qty	Serial Number
A	197154	BOLT – RHSN M16 X 2 X 50-10.9-A3L		
B	152520	NUT – HEX FLG TECH LOC M16 X 2-10-A3L		
C	184665	BOLT – HEX FLG HD M10 X 1.5 X 30-10.9-A3L		
D	50101	NUT – HEX FLG STVR LOC M10 X 1.5-10-A3L		
E	16235	WASHER – FLAT		
F	135695	NUT – HEX SLOTTED M20 X 1.5-8-A3L		
G	172558	WASHER – NORDLOCK 5/8 IN.		
H	197107	BOLT – RHSN M16 X 2 X 90-8.8-A3L		
J	184699	NUT – HEX M16 X 2-8-A3L		
K	197091	BOLT – HEX FLG HD M16 X 2 X 130 X SPCL-10.9-A3L		
L	136440	NUT – HEX FLG CTR LOC M16 X 2-10-A3L		
M	184667	BOLT – RHSN M12 X 1.75 X 30-8.8-A3L		
N	148645	NUT – HEX FLG STVR LOC M12 X 1.75-10-A3L		
P	252227	WASHER – NORDLOCK M10, X-SERIES		

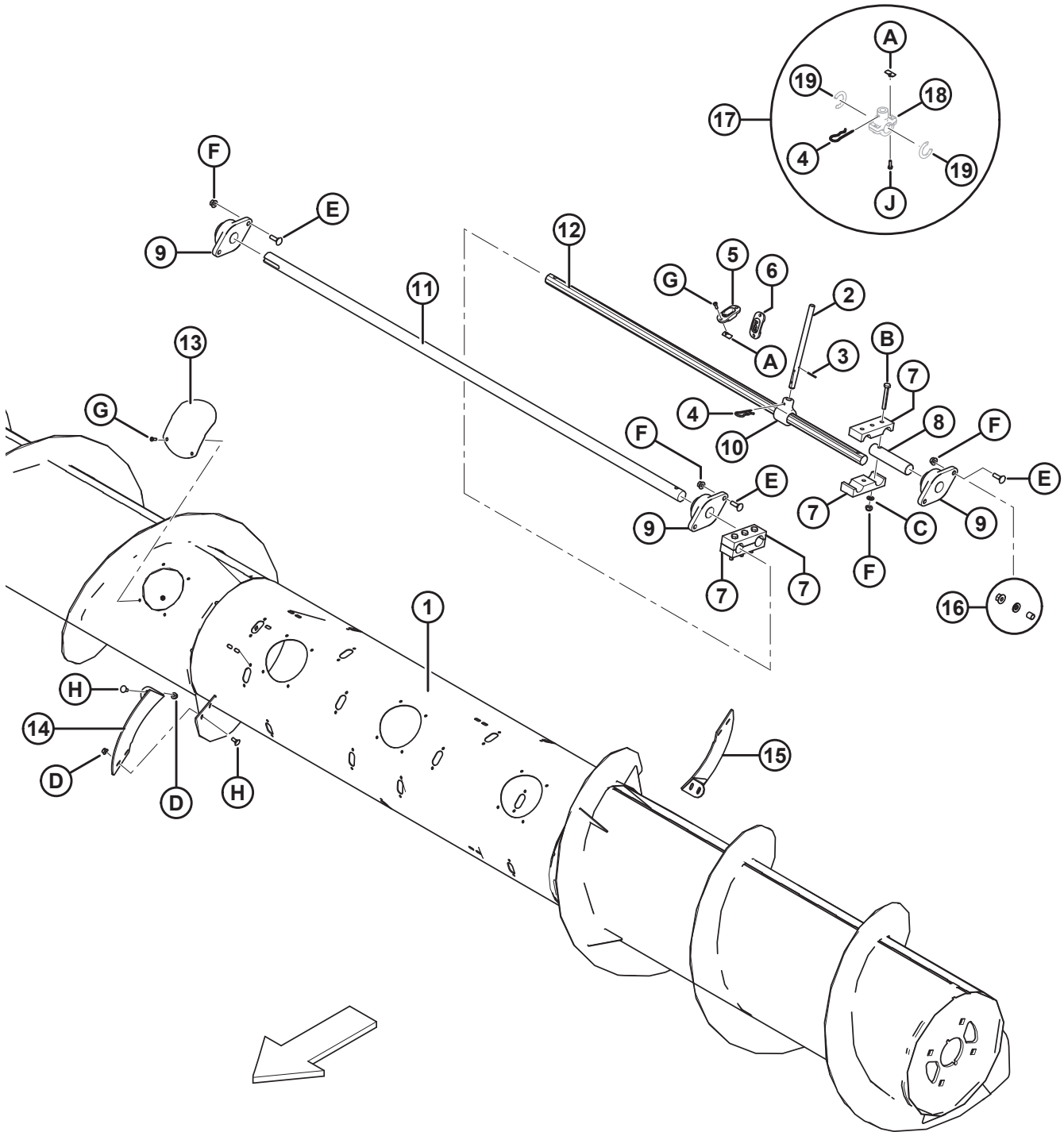
7 Auger Assembly – 2016 and Later



AUGER ASSEMBLY – 2016 AND LATER

Ref	Part Number	Description	Qty	Serial Number
1	237706	SHAFT WELDT	1	
2	152384	SUPPORT – AUGER RH WELDT	1	
3	182042	KEY – 8 X 10 X 60	1	
4	237789	SUPPORT – LH AUGER ARM C/W DECAL	1	
5	152266	STOP – RUBBER	4	
6	237702	SHIELD	1	
7	237778	HUB – AUGER DRIVE C/W BEARING	1	
8	237782	BEARING – DOUBLE ROW BALL 68 O.D. X 35 BORE	1	
9	152355	RING – RETAINING INTERNAL	1	
10	237772	SHAFT – AUGER DRIVE	1	
11	18607	PIN – COTTER 5/32 DIA X 1.5 ZP	1	
12	237701	FLANGETTE, 100 MM	2	
13	237698	BEARING – SPH OD C/W LC 2 IN. BORE	1	
14	237705	PAD – WEAR	2	
15	197692	SPROCKET-B – RC 80 45T	1	
16	237700	BUSHING – SPLIT TAPER Q1 X 2 IN. BORE	1	
17	237709	KEY – 1/2 SQ X 70 MM	1	
18	152524	CHAIN – RC-80, 72 PITCHES RIVETED, ENDLESS	1	
19	237649	SPROCKET – RC 80 14 TOOTH	1	
	237650	SPROCKET – RC 80 16 TOOTH, OPTIONAL	1	
A	197154	BOLT – RHSN M16 X 2 X 50-10.9-A3L		
B	152520	NUT – HEX FLG TECH LOC M16 X 2-10-A3L		
C	184665	BOLT – HEX FLG HD M10 X 1.5 X 30-10.9-A3L		
D	50101	NUT – HEX FLG STVR LOC M10 X 1.5-10-A3L		
E	16235	WASHER – FLAT		
F	135695	NUT – HEX SLOTTED M20 X 1.5-8-A3L		
G	197107	BOLT – RHSN M16 X 2 X 90-8.8-A3L		
H	136476	NUT – HEX M16 X 2-8-A3L		
J	197091	BOLT – HEX FLG HD M16 X 2 X 130 X SPCL-10.9-A3L		
K	152520	NUT – HEX FLG CTR LOC M16 X 2-10-A3L		
L	184667	BOLT – RHSN M12 X 1.75 X 30-8.8-A3L		
M	148645	NUT – HEX FLG STVR LOC M12 X 1.75-10-A3L		
N	252227	WASHER – NORDLOCK M10, X-SERIES		

8 Auger Internal Assembly

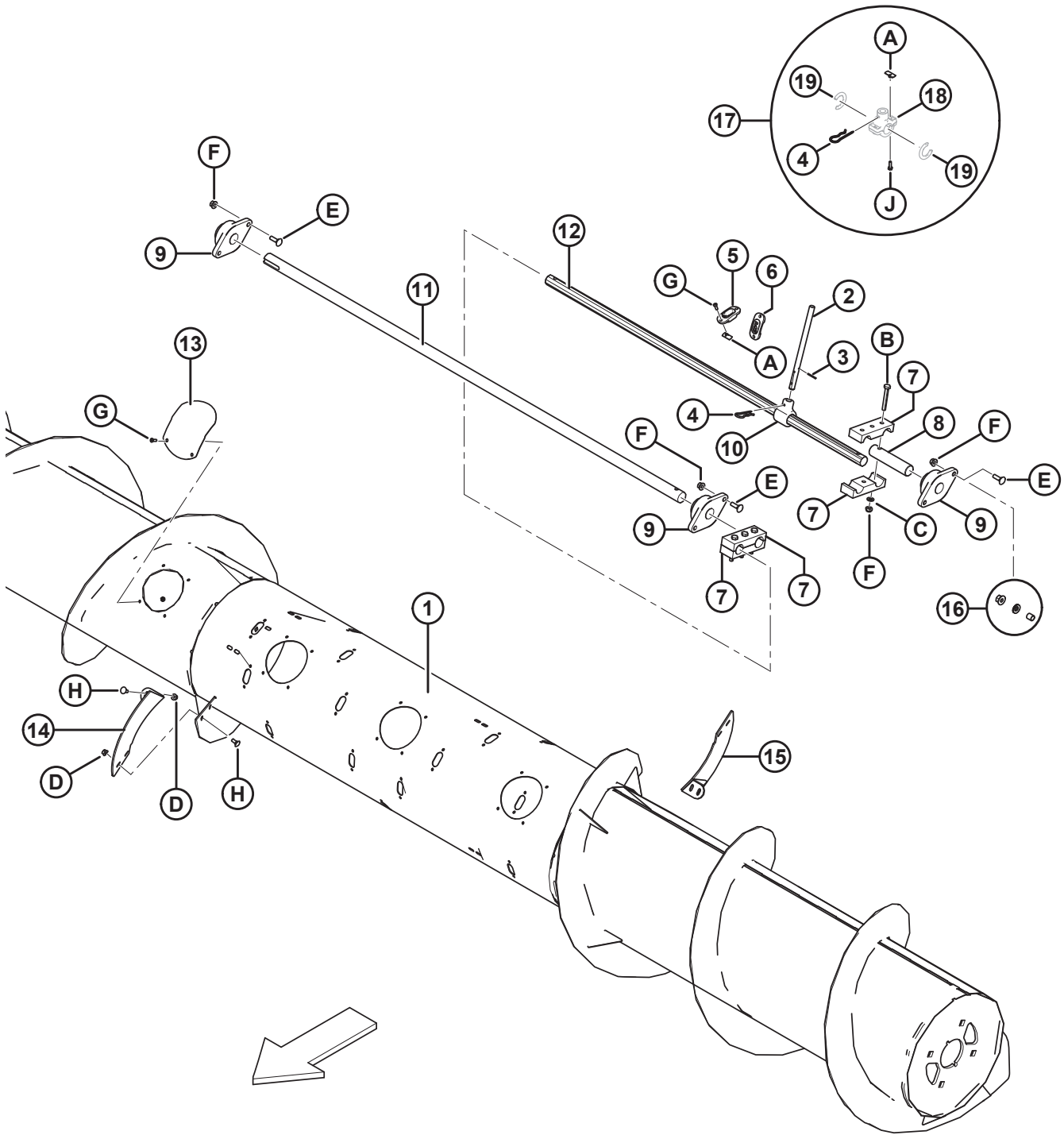


AUGER INTERNAL ASSEMBLY

Ref	Part Number	Description	Qty	Serial Number
1	237664	AUGER – WELDMENT (2016 AND FORWARD) ⁹	1	
2	182007	FINGER ASSY – AUGER (C/W SPRING PIN) ¹⁰		
3	184741	PIN – SPRING ¹⁰		
4	123180	PIN – HAIR ¹⁰		
5	187081	GUIDE ¹⁰		
6	187137	PLUG	6	
7	237842	CLAMP – FINGER SUPPORT ¹¹	4	
	237912	KIT – AUGER CLAMPS ¹²	A/R	
8	182029	SHAFT	1	
9	152610	BEARING FLANGE ASSEMBLY	3	
10	237545	HOLDER – AUGER FINGER	24	
11	152451	SHAFT	1	
12	182024	SHAFT	1	
13	152747	COVER WELDMENT	5	
14	190699	FLIGHTING EXT. – RH BLACK (40 IN NH FEEDER HOUSE)	1	
	190695	FLIGHTING EXT. – RH SHORT BLACK	1	
15	190700	FLIGHTING EXT. – LH BLACK (40 IN NH FEEDER HOUSE)	1	
	190697	FLIGHTING EXT. – LH SHORT BLACK	1	
16	237672	KIT – PW8 AUGER RH BEARING HARDWARE UPGRADE ¹³	A/R	
17	276839	KIT – SPLIT FINGER HOLDER ¹⁴	OPT	
18	NSS	HOLDER – AUGER SPLIT FINGER	5	
19	NSS	SPACER – SPLIT FINGER HOLDER	10	

9. 2015 model year units use auger weldment MD #237539 until stock is depleted. Servicing MD #237539 will require auger weldment (MD #237664), six bolts (MD #135900), and six nuts (MD #148645).
10. Quantity varies from 16–22 depending on which combine completion package is installed. Auger finger assembly (MD #182007) includes spring pin (MD #184741).
11. Was previously clamp MD #152995, which has been superseded by clamp MD #237842. Clamp MD #237842 now has additional center hardware that helps increase the clamping around the shafts. To service units with clamp MD #152995, order Auger Clamps kit (MD #237912).
12. Auger Clamps kit (MD #237912) includes two finger support clamps (MD #237842), three bolts (MD #184659), three washers (MD #184711), and three nuts (MD #50101).
13. 2015 model year units only. Intended to correct issue on some 2015 models where hardware securing the right side of auger to the bearing block becomes loose during operation. Includes two spacers (MD #237667), two M10 Nord-Lock washers (MD #252227), two M10 nuts (MD #50101), and instructions.
14. Split Finger Holder kit (MD #276839) provides all parts needed to replace one-piece finger holders with split finger holders. Kit includes five split finger holders (not serviced separately), ten spacers (not serviced separately), five hair pins (MD #123180), ten bolts (MD #252703), ten tee nuts (MD #197263), and instructions.

AUGER INTERNAL ASSEMBLY



1022229

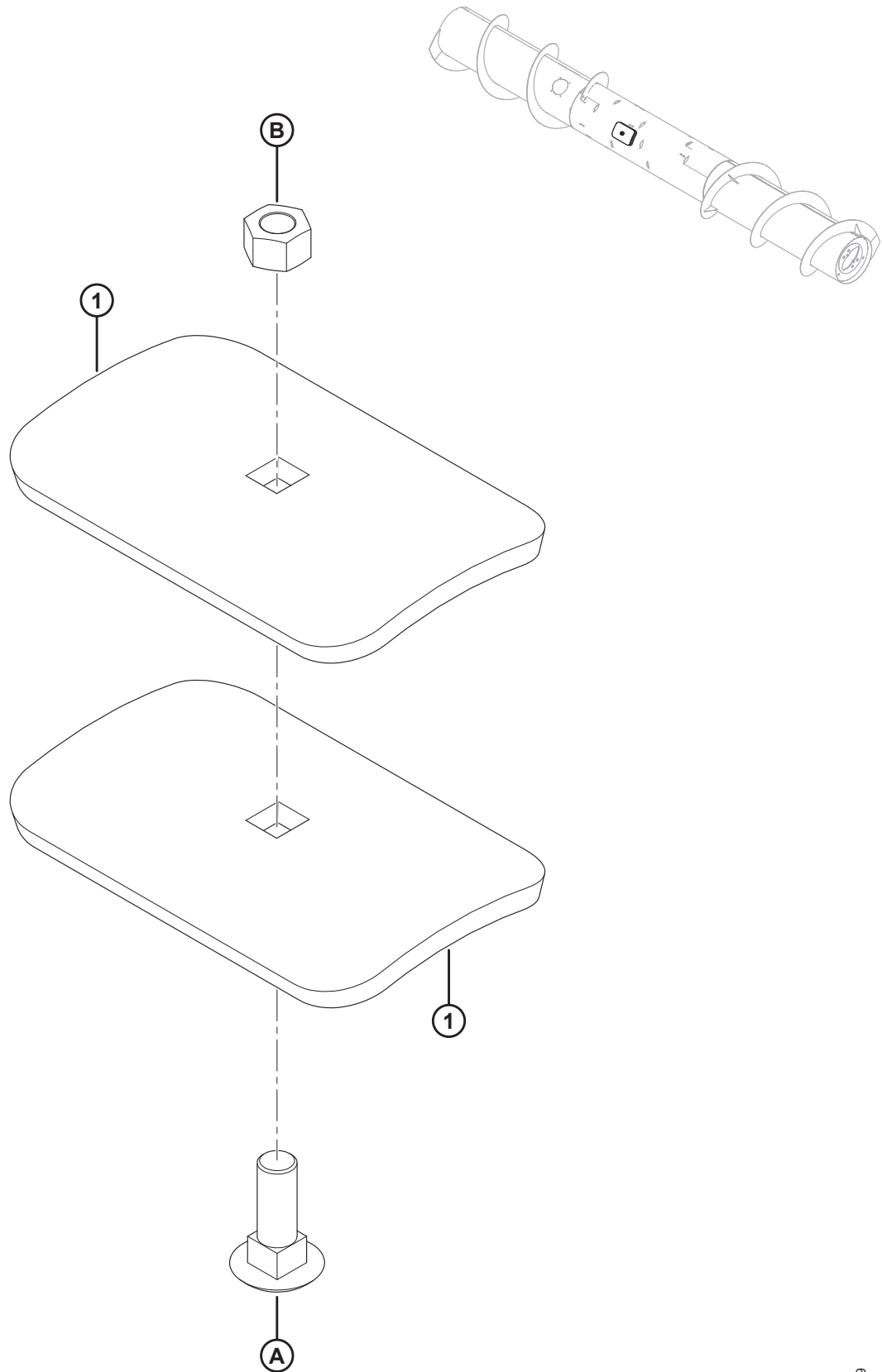
AUGER INTERNAL ASSEMBLY

Ref	Part Number	Description	Qty	Serial Number
A	197263	NUT – TEE M6 X 1		
B	184659	BOLT – HEX HD M10 X 1.5 X 75-8.8-A3L		
C	184711	WASHER – FLAT REG M10-200HV-A3L		
D	135337	NUT – HEX FLG CTR LOC M8 X 1.25-8-A2L		
E	135691	BOLT – RHSN TFL M10 X 1.5 X 35-8.8-A3L ¹⁵		
	135900	BOLT – RHSN TFL M12 X 1.75 X 40-8.8-A3L ¹⁶		
F	50101	NUT – HEX FLG STVR LOC M10 X 1.5-10-A3L ¹⁵		
	148645	NUT – HEX FLG STVR LOC M12 X 1.75-10-A3L ¹⁶		
G	197262	SCREW – HEX SOC BTN HD M6 X 1 X 20 X SPCL-12.9-A2L		
H	197171	BOLT – RHSN M8 X 1.25 X 20-8.8-A2L		
J	252703	BOLT – HEX HD TFL M6 X 1 X 20 X SPCL-12.9-AA2L		

15. Used only with auger-weldment (MD #237539) and bearing flange assembly (MD #152610).

16. Used only with auger-weldment (MD #237664) and bearing flange assembly (MD #152610).

9 Auger Dent Repair Kit

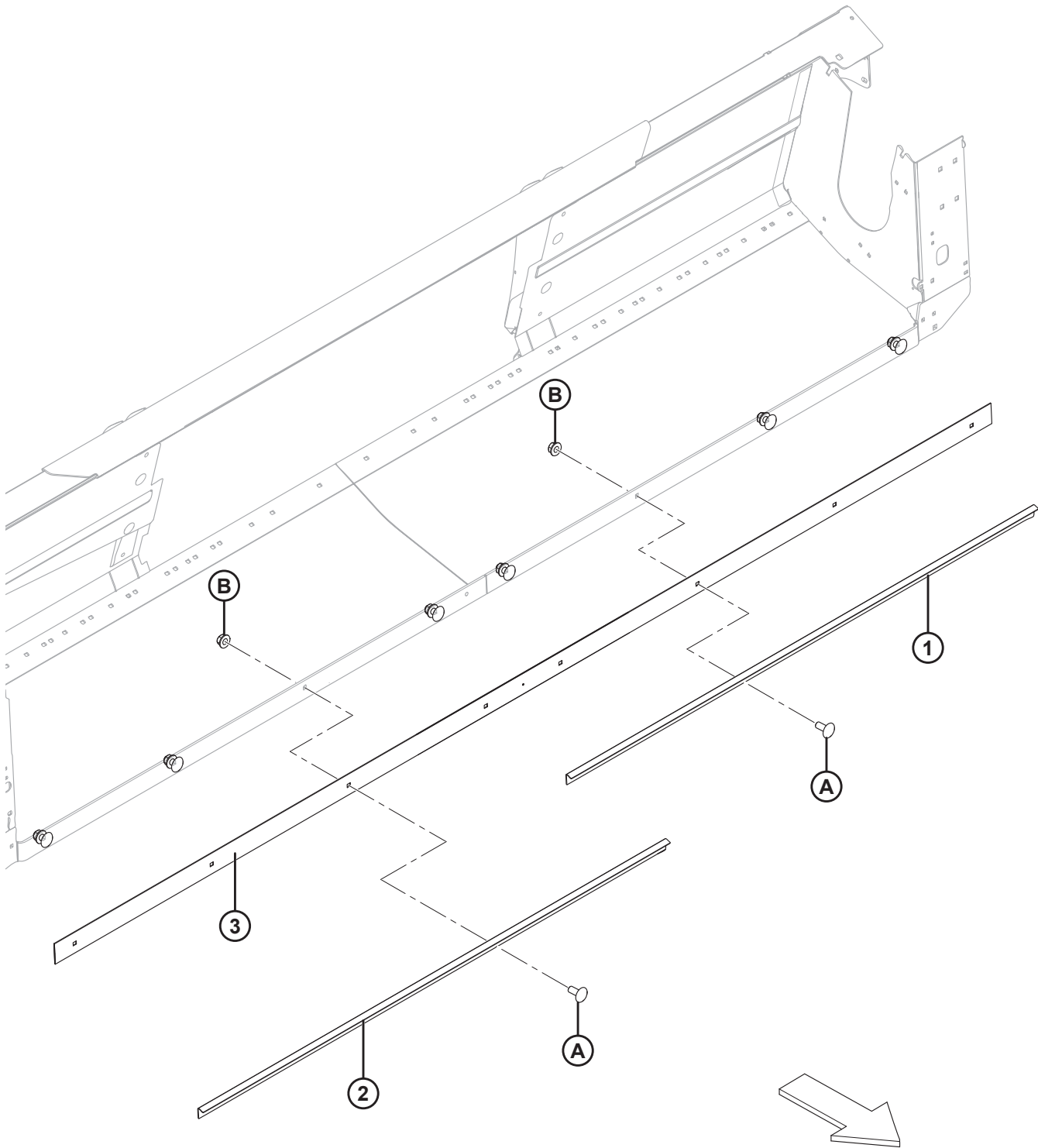


AUGER DENT REPAIR KIT

Ref	Part Number	Description	Qty	Serial Number
	237563	KIT – AUGER DENT REPAIR ¹⁷		
1	237556	SUPPORT	2	
A	197154	BOLT – RHSN M16 X 2 X 50-10.9-A3L		
B	184699	NUT – HEX M16 X 2-8-A3L		

17. Includes two supports (MD #237556), bolt (MD #197154), nut (MD #184699), and instructions.

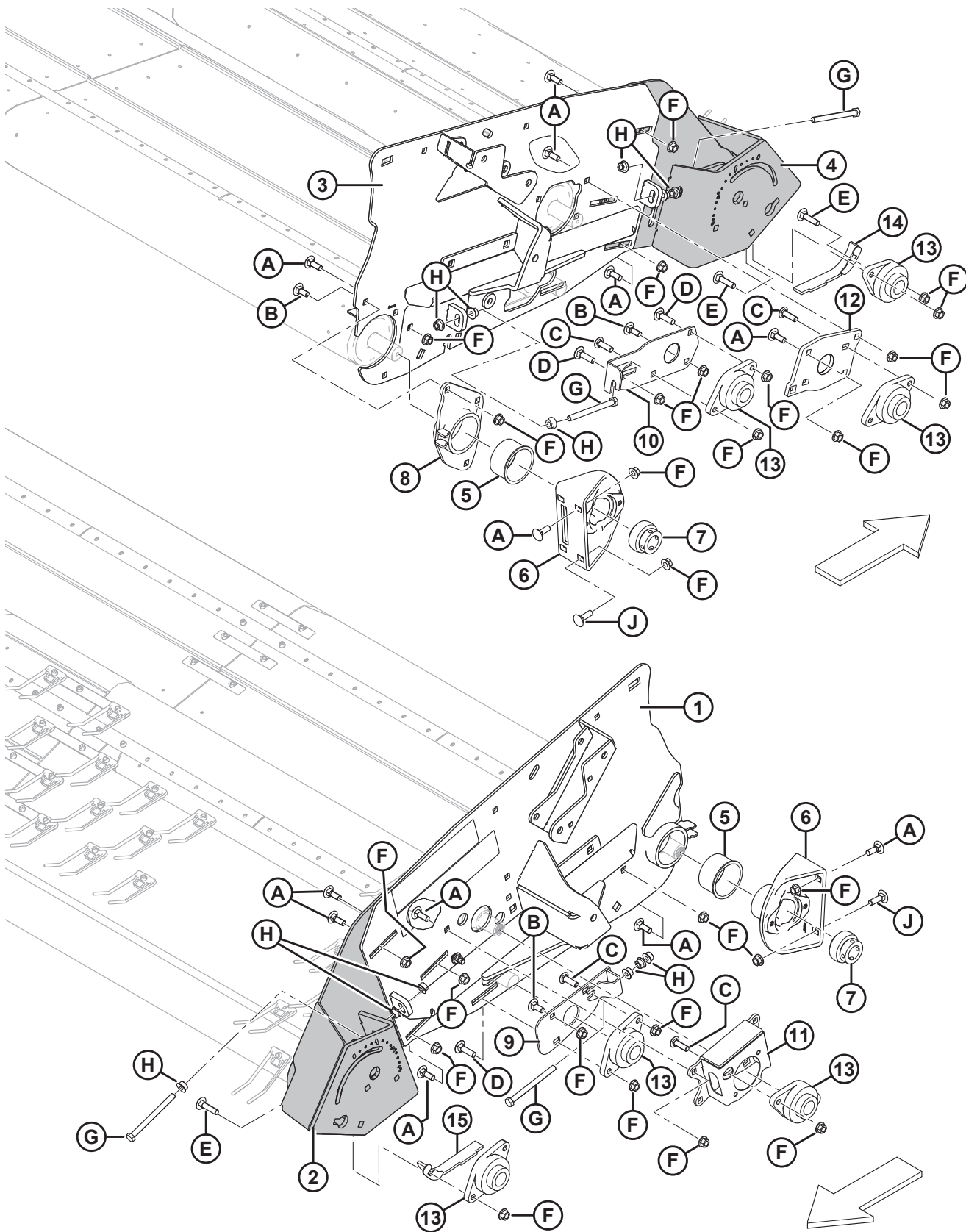
10 Cutterbar Seal



CUTTERBAR SEAL

Ref	Part Number	Description	Qty	Serial Number
1	237433	SUPPORT, LH	1	
2	237435	SUPPORT, RH	1	
3	237857	FLAP – RUBBER	1	
A	184667	BOLT – RHSN M12 X 1.75 X 30-8.8-A3L		
B	148645	NUT – HEX FLG STVR LOC M12 X 1.75-10-A3L		

11 Decks – Mechanism



DECKS – MECHANISM

Ref	Part Number	Description	Qty	Serial Number
1	237551	FRAME – LH SIDE WELDMENT C/W DECALS ¹⁸	1	
2	237421	FRAME – LH WELDMENT	1	
3	237379	FRAME – RH SIDE WELDMENT	1	
4	237420	FRAME – RH WELDMENT	1	
5	152177	BUSHING – FLANGED	2	
6	152581	ROLLER SUPPORT ASSEMBLY ¹⁹	2	
7	143972	BEARING – BALL SPH OD C/W LC 1-3/8 IN. BORE	2	
8	197284	BUSHING – FLANGED MACHINING	1	
9	237499	BRACKET WELDMENT (LH)	1	
10	237502	BRACKET WELDMENT (RH)	1	
11	237799	KIT – HOUSING WELDMENT	1	
12	237554	COVER PLATE	1	
13	152610	BEARING FLANGE ASSEMBLY	6	
14	237514	SHIELD WELDMENT RH	1	266820–
	197712	SHIELD WELDMENT RH ²⁰	1	–266819
15	237513	SHIELD WELDMENT LH	1	266820–
	197718	SHIELD WELDMENT LH ²¹	1	–266819
A	136291	BOLT – RHSN TFL M12 X 1.75 X 35-8.8-A3L		
B	184667	BOLT – RHSN M12 X 1.75 X 30-8.8-A3L		
C	197122	BOLT – RHSSN M12 X 1.75 X 40-8.8-A3L		
D	184668	BOLT – RHSN TFL M12 X 1.75 X 45 X SPCL-8.8-A3L		
E	136049	BOLT – RHSN TFL M12 X 1.75 X 50-8.8-A3L		
F	148645	NUT – HEX FLG STVR LOC M12 X 1.75-10-A3L		
G	152326	BOLT – HEX HD TFL M12 X 1.75 X 140-8.8-A3L		
H	136036	NUT – HEX SMTH FLNG M12 X 1.75-8-A3L		
J	135900	BOLT – RHSN TFL M12 X 1.75 X 40-8.8-A3L		

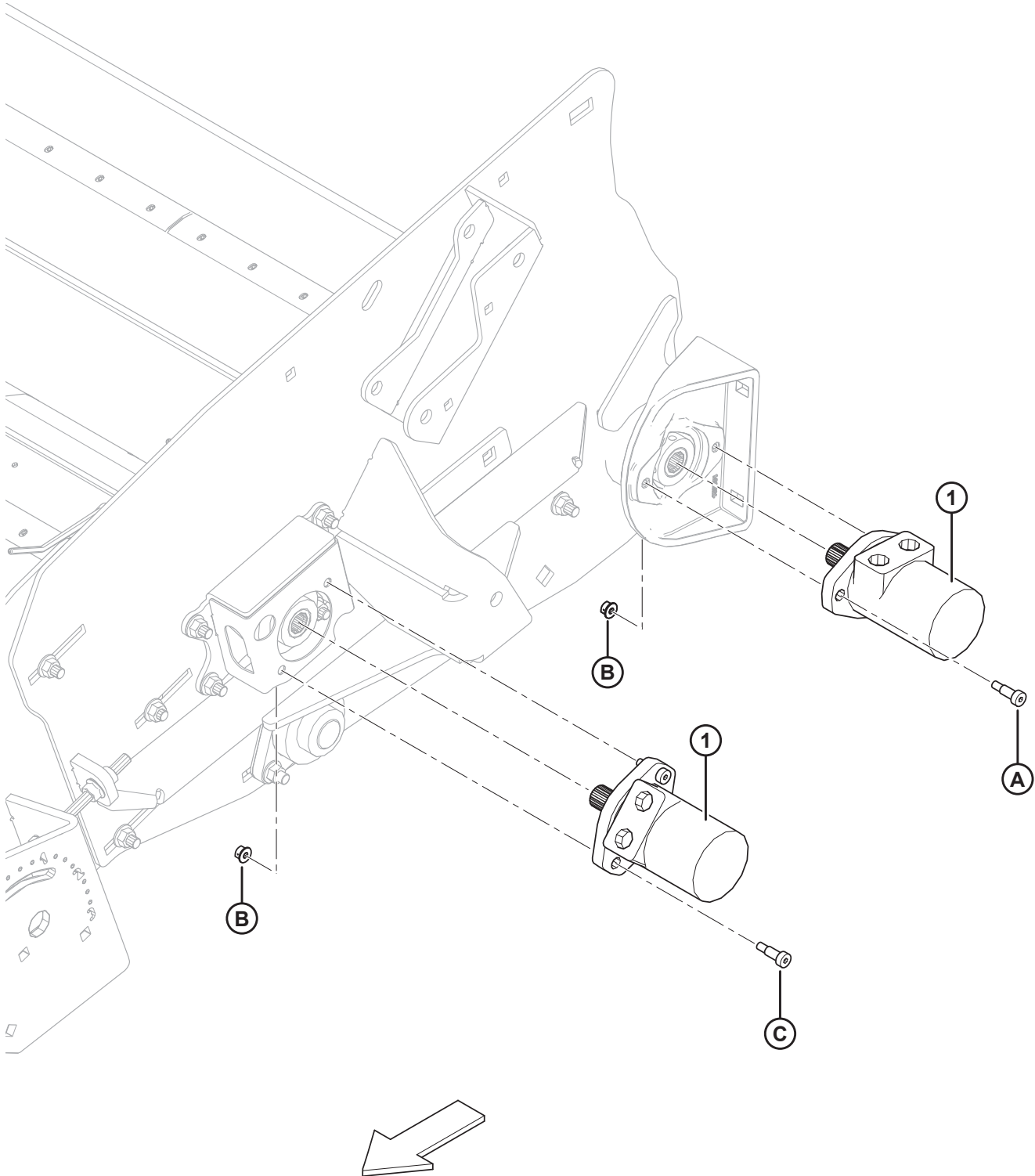
18. Includes front draper tension and rear draper tension decals. To order decals separately, refer to Section [31 Decals – Information, page 69](#).

19. Includes bearing (MD #143972).

20. Service part only for units made prior to 2015. For units made in 2015 and forward, order MD #237514.

21. Service part only for units made prior to 2015. For units made in 2015 and forward, order MD #237513.

12 Decks – Motors



DECKS – MOTORS

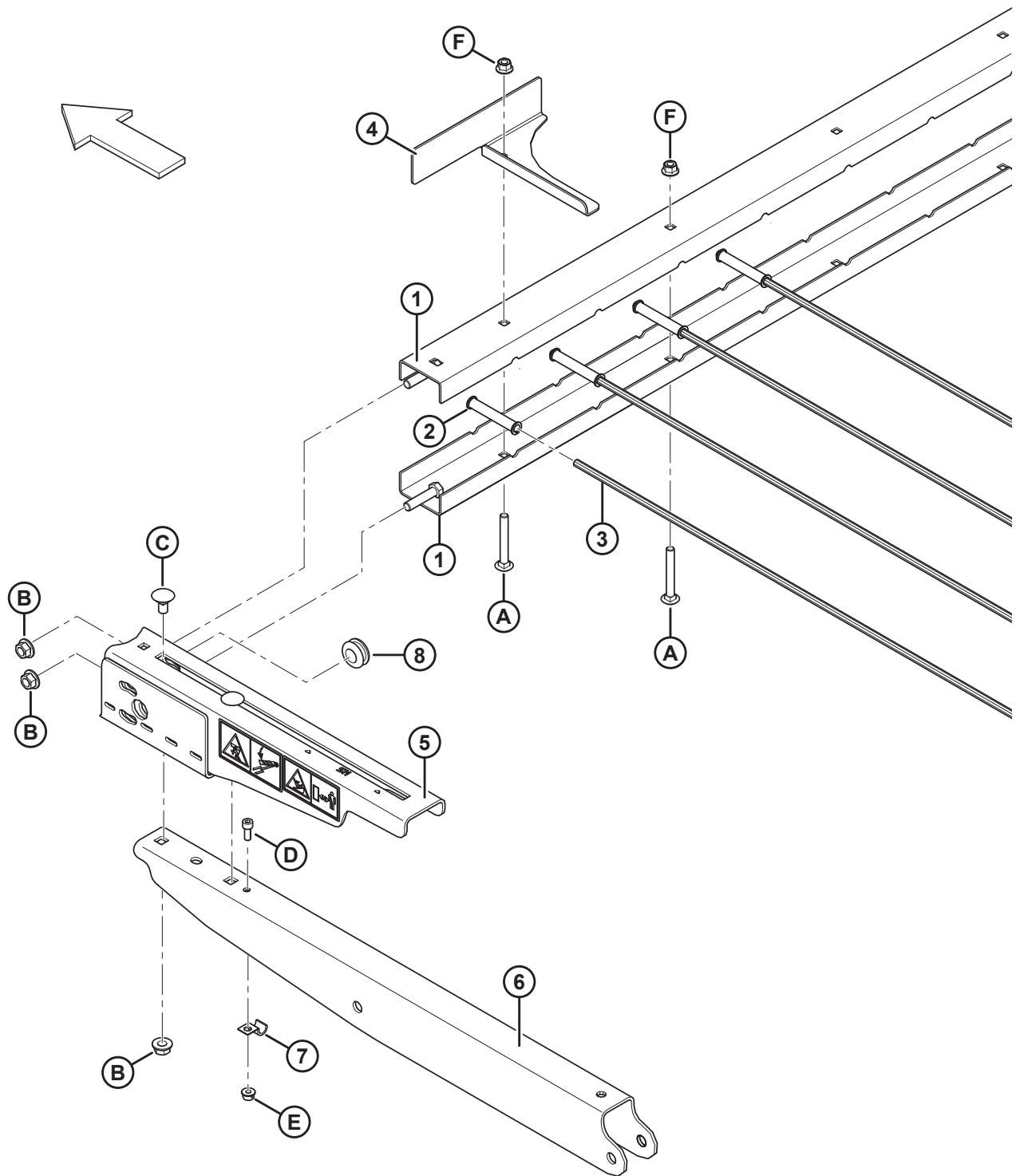
Ref	Part Number	Description	Qty	Serial Number
1	152541	MOTOR – HYD (5.9 CID)	2	
	184877	SEAL KIT		
A	197275	SCREW – HEX SOC HD SHLDR 10 X 20-12.9-A2L		
B	135337	NUT – HEX FLG CTR LOC M8 X 1.25-8-A2L		
C	252579	SCREW – HEX SOC HD SHLDR 10 X 18 X SPCL-12.9-AA2L		

DECKS – DRAPERS AND ROLLERS

Ref	Part Number	Description	Qty	Serial Number
1	197126	ROLLER WELDMENT – DRIVE	2	
2	197124	ROLLER WELDMENT – IDLER	2	
3	237464	PAN WELDMENT	2	
4	197239	DRAPER – REAR, ALL EXCEPT RH SIDE	3	
	197129	DRAPER – REAR, RH SIDE ONLY	1	
5	197511	DRAPER ASSY – FRONT, ALL EXCEPT RH SIDE ²²	3	
	197510	DRAPER ASSY – FRONT RH SIDE ONLY	1	
6	197708	CONNECTOR	42	
7	197169	STRIP – EDGE PROTECTOR	6	
8	197168	STRIP – EDGE PROTECTOR	4	
9	181047	FINGER – SWATHMASTER	392	
10	197097	GUIDE	36	
11	237504	STRAP	42	
A	152668	NUT – HEX FLG CTR LOC M6 X 1-8-A2L		
B	136841	BOLT – ELEVATOR CSK M6 X 1 X 16 X SPCL-8.8-A2L		
C	197240	BOLT – ELEVATOR CSK M6 X 1 X 20 X SPCL-4.8-A2L		
D	197241	BOLT – ELEVATOR CSK M6 X 1 X 26 X SPCL-4.8-A2L		
E	184709	WASHER – FLAT LARGE M8-200HV-A2L		
F	197261	BOLT – ELEVATOR 3-PRONG M6 X 1 X 15.5 X SPCL-4.8-A2L		
G	252176	BOLT – ELEVATOR CSK M6 X 1 X 23 X SPCL-8.8-A2L		
H	197095	BOLT – ELEVATOR CSK M6 X 1 X 30 X SPCL-8.8-A2L		

22. Comes complete with fingers installed.

14 Hold-Down Assembly

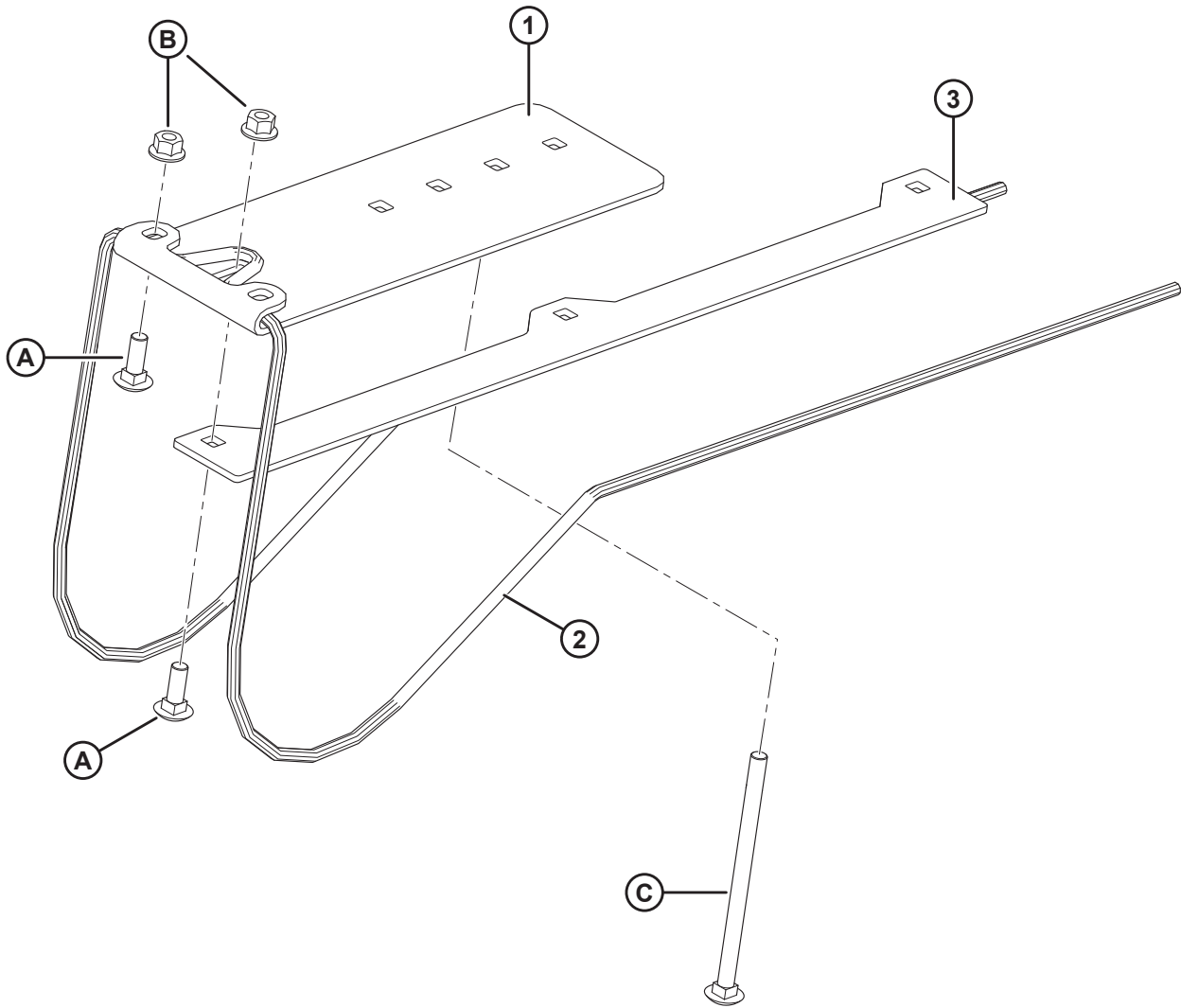


HOLD-DOWN ASSEMBLY

Ref	Part Number	Description	Qty	Serial Number
1	197798	SUPPORT WELDMENT – HOLDDOWN	2	
2	197152	SUPPORT	29	
3	184331	ROD – FIBERGLASS 3/8 IN. X 48 IN. BLACK	29	
4	237334	SUPPORT – WITH AMBER REFLECTOR	2	
5	197287	SUPPORT – WIND GUARD, WITH DECALS	2	
6	197793	CHANNEL	2	
7	136872	CLAMP – HALF, INSULATED	2	
8	112520	GROMMET ²³	2	
A	152157	BOLT – RHSN M10 X 1.5 X 80-8.8-A3L		
B	148645	NUT – HEX FLG STVR LOC M12 X 1.75-10-A3L		
C	135903	BOLT – RHSN M12 X 1.75 X 25-8.8-A3L		
D	167307	SCREW – HEX SOC HD M8 X 1.25 X 20-8.8-A2L		
E	135337	NUT – HEX FLG CTR LOC M8 X 1.25-8-A2L		
F	50101	NUT – HEX FLG STVR LOC M10 X 1.5-10-A3L		

23. Assemble grommet to hose (MD #237180) before installing grommet into support (MD #197287). For hose refer to Section *4 Base Assembly Hydraulics, page 9*.

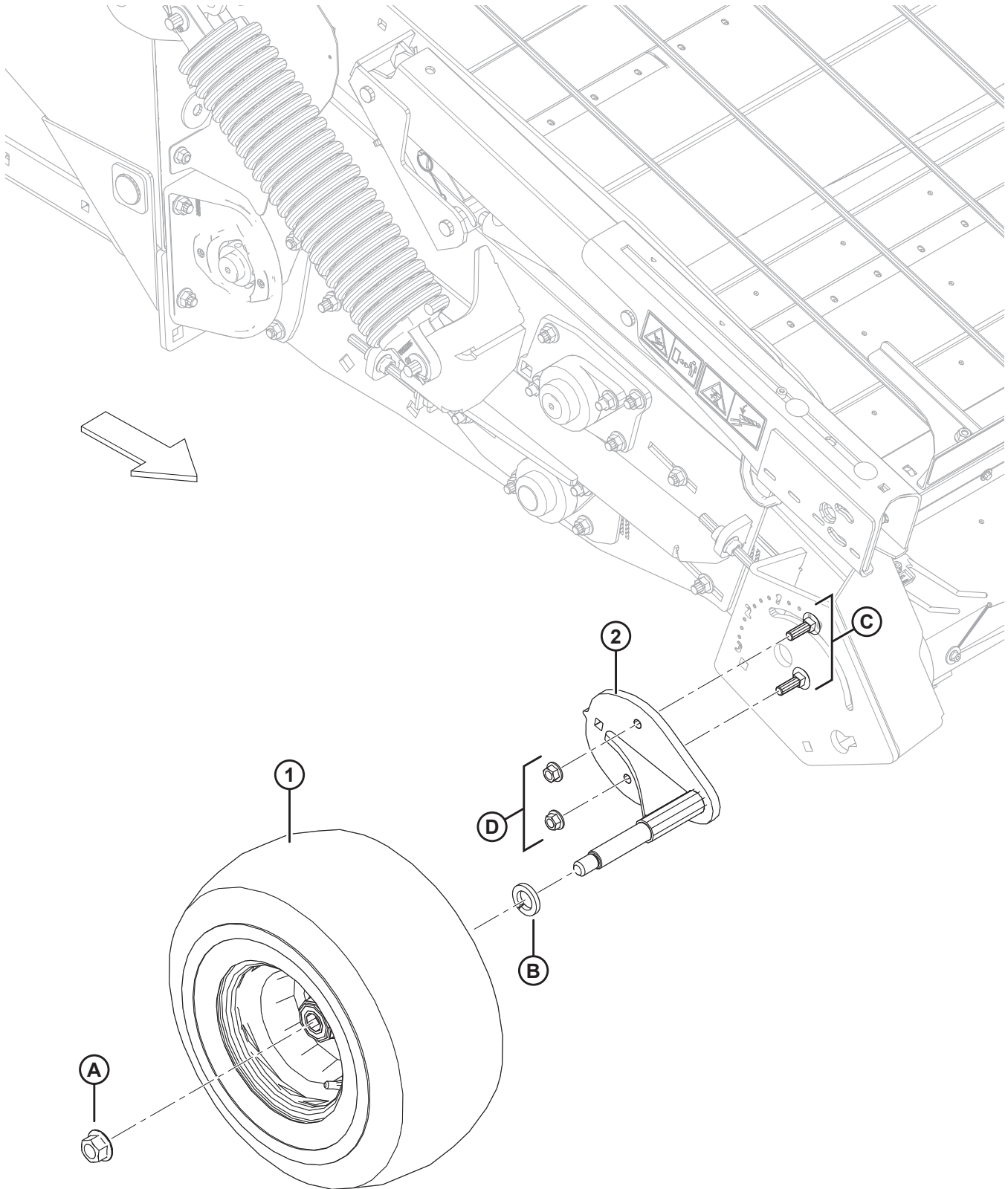
15 Hold-Down Performance Option



HOLD-DOWN PERFORMANCE OPTION

Ref	Part Number	Description	Qty	Serial Number
1	197037	SUPPORT	15	
2	197036	SPRING – WIRE	15	
3	197362	BAR – HOLD DOWN	5	
A	184662	BOLT – RHSN M10 X 1.5 X 30 LG ZP		
B	50101	NUT – FLG LOCK PREV TORQUE SM FACE M10-1.5		
C	136705	BOLT – RHSN M10 X 1.5 X 85-8.8-A3L		

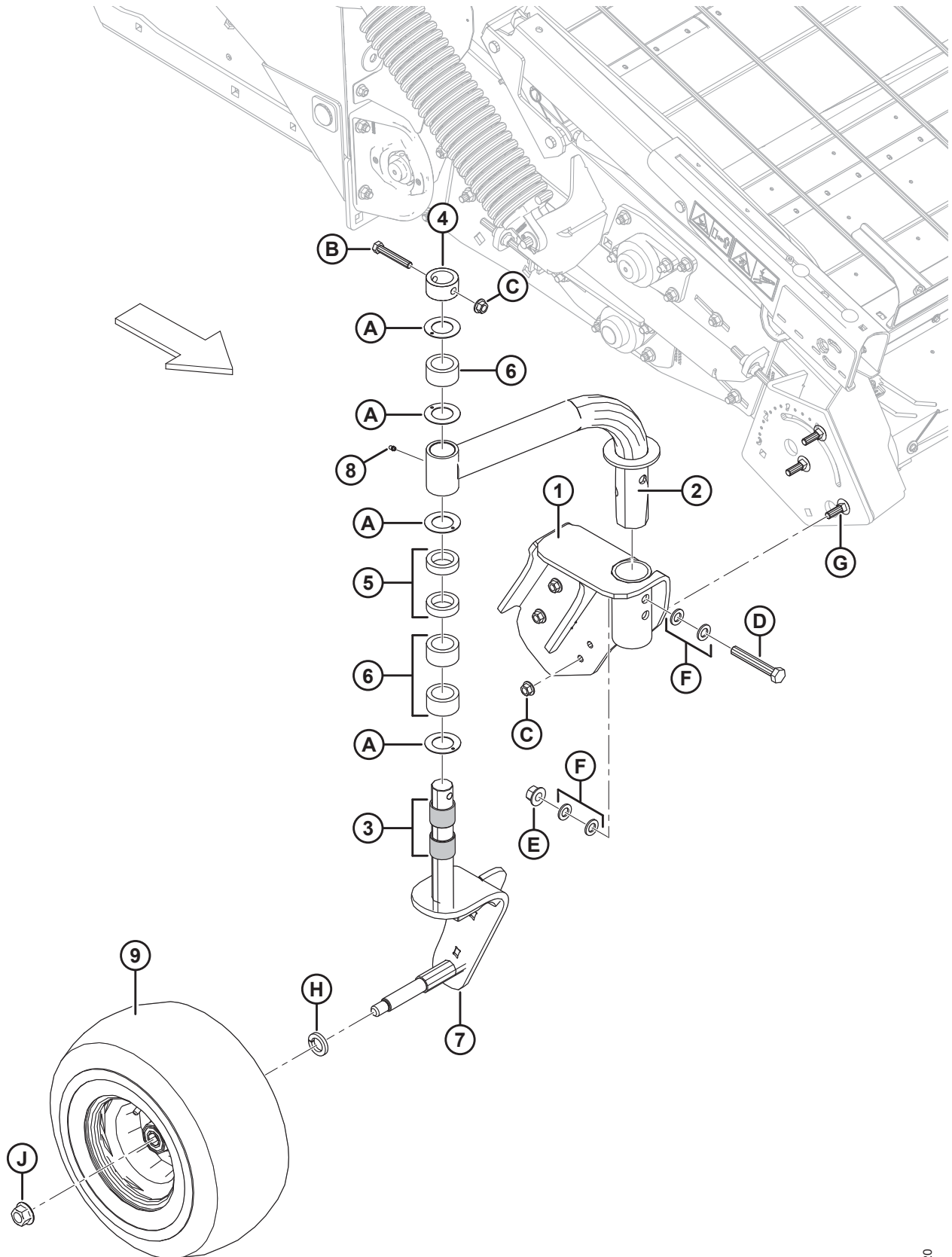
16 Wheel Assembly – Fixed Wheels



WHEEL ASSEMBLY – FIXED WHEELS

Ref	Part Number	Description	Qty	Serial Number
1	152724	INTEGRAL WHEEL ASSEMBLY C/W TIRE	2	
	237765	BEARING – C/W SNAP RING	4	
	237769	SPACER – HUB	2	
2	237725	SPINDLE WELDMENT	2	
A	252476	NUT – HEX SMTH FLG M20 X 2.5-10-AA3L		
B	18642	WASHER – REG. LOCK 1.0 IN. NOM. I.D. ZP		
C	197122	BOLT – RHSSN M12 X 1.75 X 40-8.8-A3L		
D	148645	NUT – LOCK FLG STOVER M12 X 1.75 ZP		

17 Wheel Assembly – Caster Wheels



WHEEL ASSEMBLY – CASTER WHEELS

Ref	Part Number	Description	Qty	Serial Number
	B6315	KIT – CASTER WHEELS ²⁴		
1	237831	WELDMENT – CASTER SUPPORT, RH	1	
	237844	WELDMENT – CASTER SUPPORT, LH	1	
2	237859	ARM – CASTER W/ SLEEVES, RH ²⁵	1	
	237861	ARM – CASTER W/ SLEEVES, LH ²⁵	1	
3	252269	SLEEVE – BEARING, 1.5 IN. I.D.	4	
4	237602	TUBE – STOP	2	
5	237834	SPACER – SMALL	4	
6	237852	SPACER – LARGE	6	
7	237835	WELDMENT – SPINDLE, RH	1	
	237846	WELDMENT – SPINDLE, LH	1	
8	18671	FITTING – LUBE 1/4-28 UNF	2	
9	152724	INTEGRAL WHEEL ASSEMBLY C/W TIRE ²⁶	2	
	237765	BEARING – C/W SNAP RING ²⁶	4	
	237769	SPACER – HUB ²⁶	2	
A	252268	WASHER – THRUST, 1.5 IN. I.D.		
B	135155	BOLT – HEX HD M12 X 1.75 X 75-8.8-A3L		
C	148645	NUT – HEX FLG STVR LOC M12 X 1.75-10-A3L		
D	136310	BOLT – HEX HD M16 X 2 X 105-SPCL-8.8-A3L		
E	136440	NUT – HEX FLG CTR LOC M16 X 2-10-A3L		
F	184717	WASHER – FLAT REG M16-200HV-A3L		
G	135900	BOLT – RHSN TFL M12 X 1.75 X 40-8.8-AA1J ²⁶		
	136291	BOLT – RHSN TFL M12 X 1.75 X 35-8.8-A3L ²⁷		
H	18642	WASHER – REG. LOCK 1.0 IN. NOM. I.D. ZP		
J	252476	NUT – HEX SMTH FLG M20 X 2.5-10-AA3L		

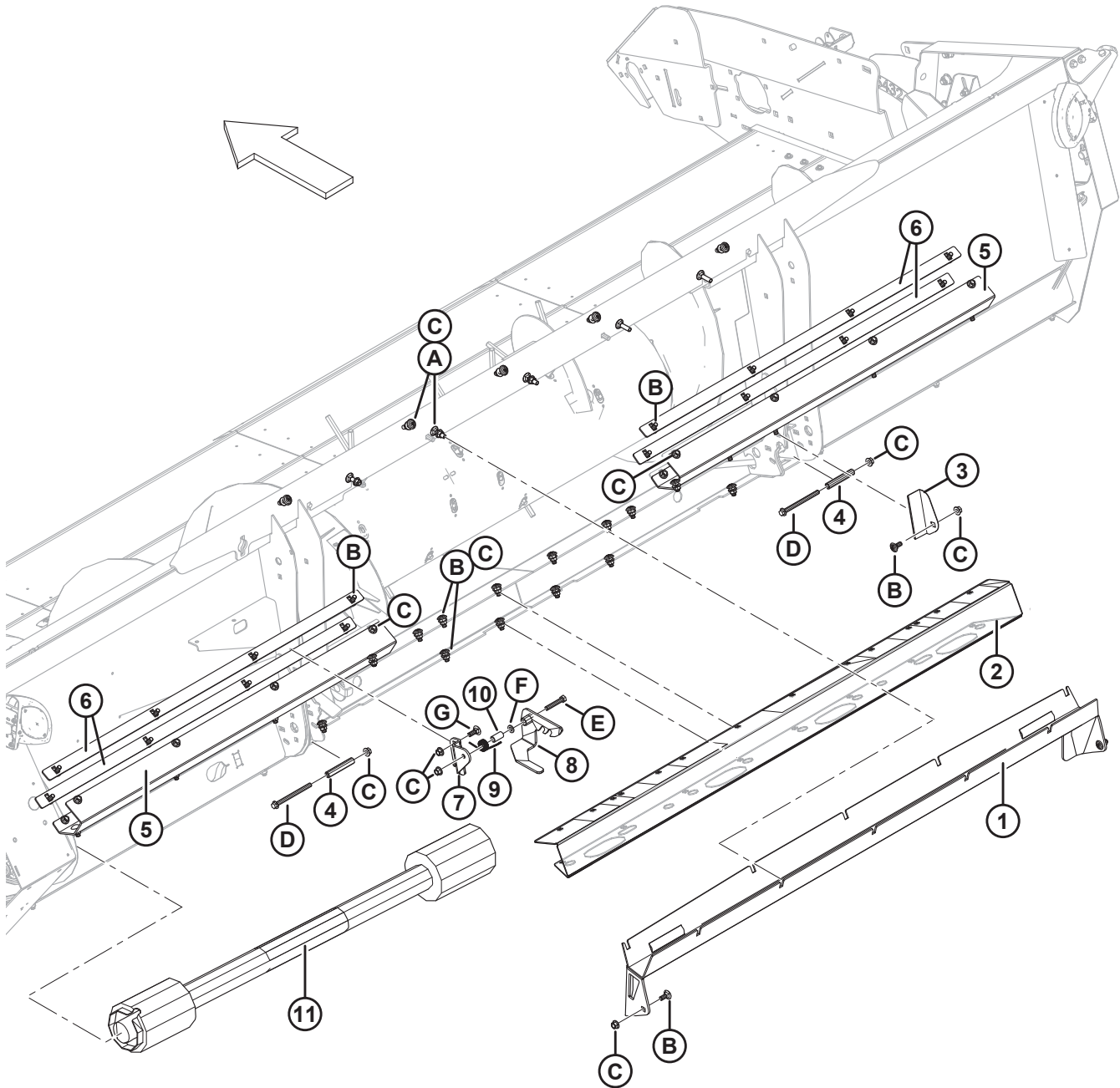
24. Includes all listed parts, hardware, and instructions unless otherwise stated. Kits available through Whole Goods only.

25. Includes two bearing sleeves (MD #252269).

26. Not included in Caster Wheels kit (MD #B6315).

27. Used in Caster Wheels kit (MD #B6315) only.

18 Combine Completion – Connection (CNH)

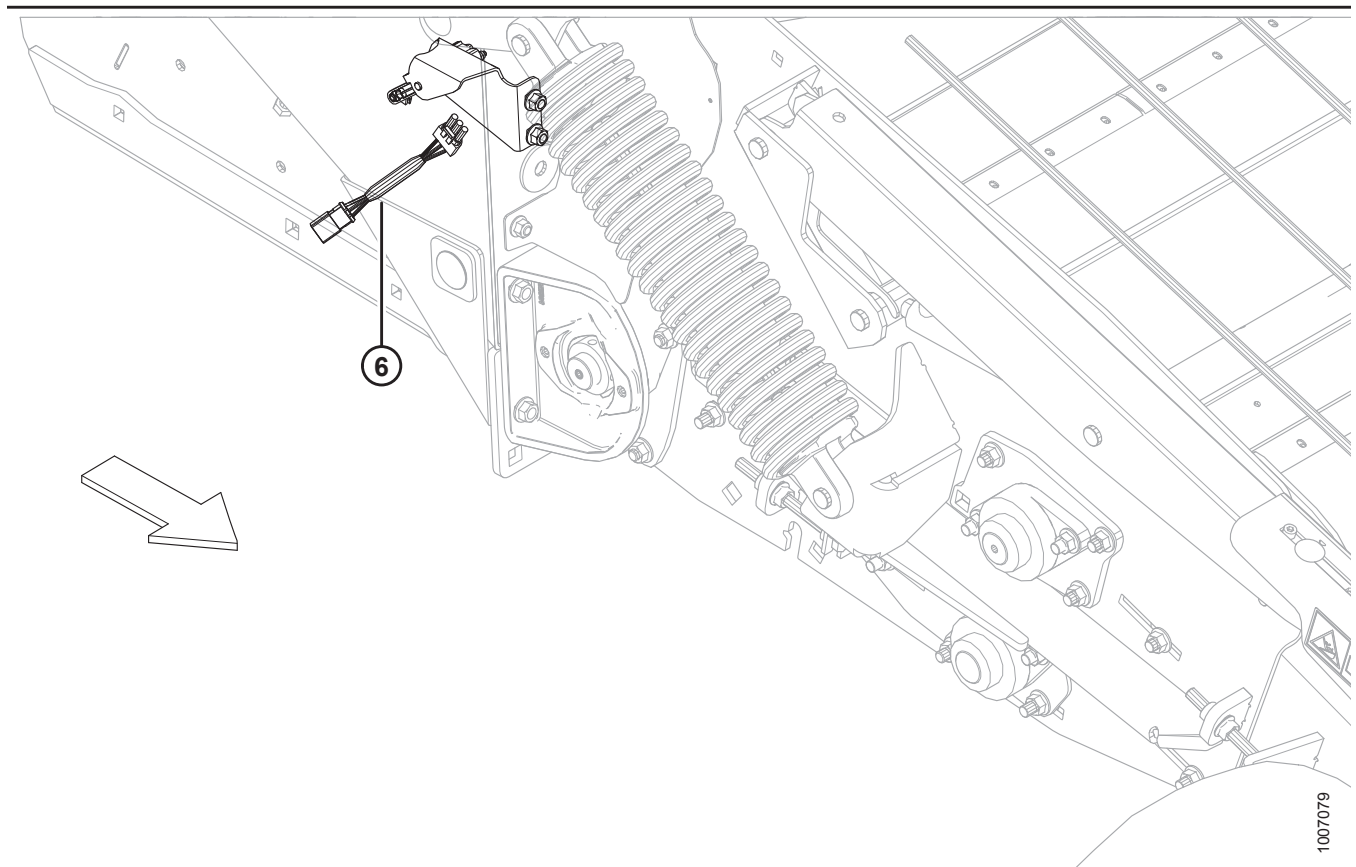
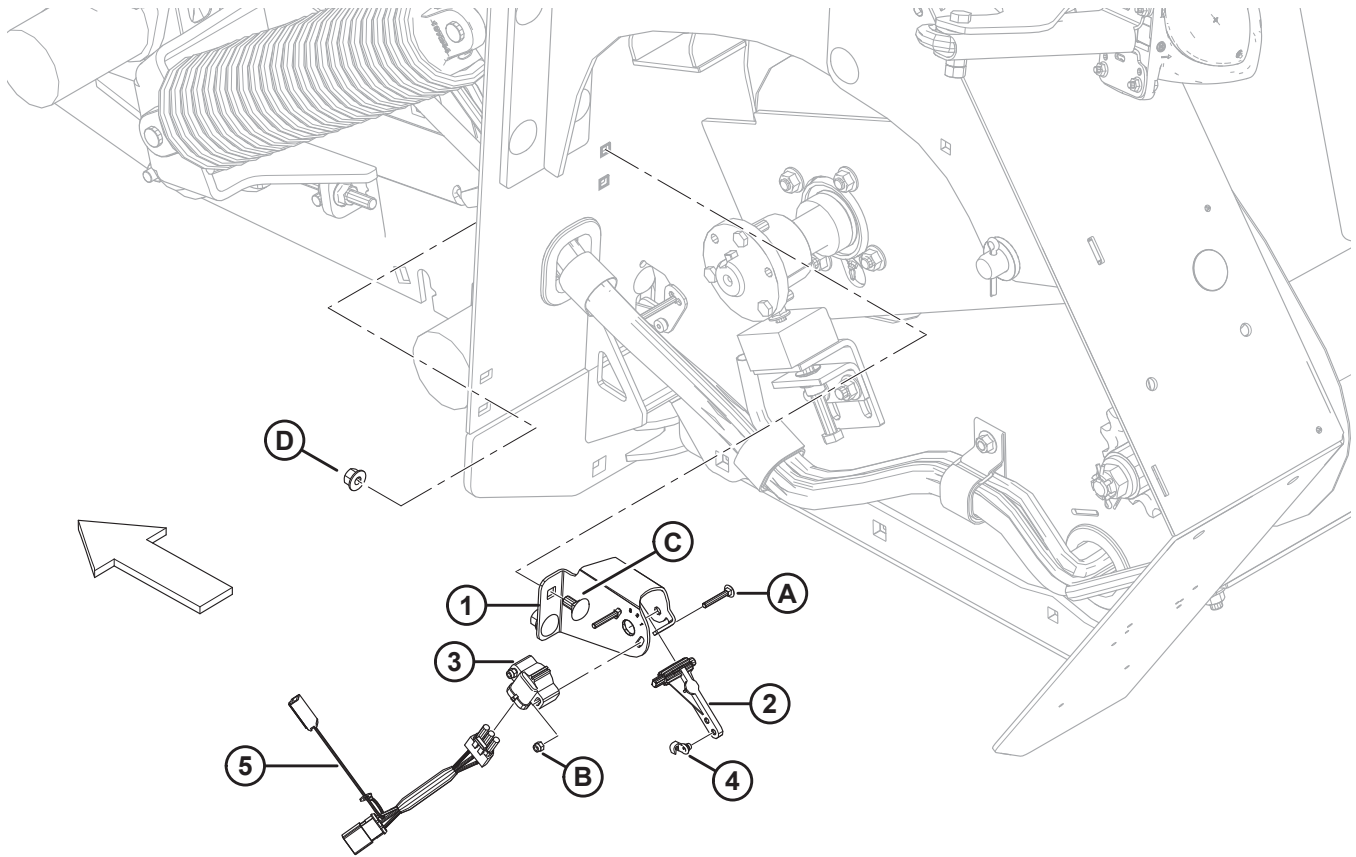


COMBINE COMPLETION – CONNECTION (CNH)

Ref	Part Number	Description	Qty	Serial Number
	B6361	KIT – 6 TOOTH SPLINE DRIVELINE, CNH COMBINE ²⁸		
	B6362	KIT – 21 TOOTH SPLINE DRIVELINE, CNH COMBINE ²⁹		
1	237389	CNH TOP BEAM WELDMENT	1	
2	152076	SUPPORT – BOTTOM CNH	1	
3	197475	CNH PANEL	1	
4	152220	BUSHING	2	
5	237774	BRACKET – STRIPPER	2	
6	237779	BAR – STRIPPER BRACKET	4	
7	152818	SUPPORT – CNH LATCH ANCHOR	1	
8	197297	LATCH WELDMENT – BLACK	1	
9	182152	SPRING – SECONDARY LATCH CNH	1	
10	182154	BUSHING	1	
11	152558	DRIVELINE – 6 TOOTH SPLINE, CNH (WALTERSCHEID) ³⁰	1	
	152556	DRIVELINE – 21 TOOTH SPLINE, CNH (WALTERSCHEID) ³¹	1	
A	184668	BOLT – RHSN TFL M12 X 1.75 X 45 X SPCL-8.8-A3L		
B	184667	BOLT – RHSN M12 X 1.75 X 30-8.8-A3L		
C	148645	NUT – HEX FLG STVR LOC M12 X 1.75-10-A3L		
D	152759	BOLT – HEX FLG HD M12 X 1.75 X 150-10.9-A3L		
E	184675	BOLT – HEX HD M12 X 1.75 X 70-8.8-A3L		
F	184714	WASHER – FLAT REG M12-300HV-A3L		
G	136291	BOLT – RHSN TFL M12 X 1.75 X 35-8.8-A3L		

28. Kit includes 6-tooth spline driveline (MD #152558) and instructions. Kits available through Whole Goods only.
 29. Kit includes 21-tooth spline driveline (MD #152556) and instructions. Kits available through Whole Goods only.
 30. For serviceable components, refer to Section [30 Driveline Components – MD #152558, page 67](#).
 31. For serviceable components, refer to Section [29 Driveline Components – MD #152556, page 65](#).

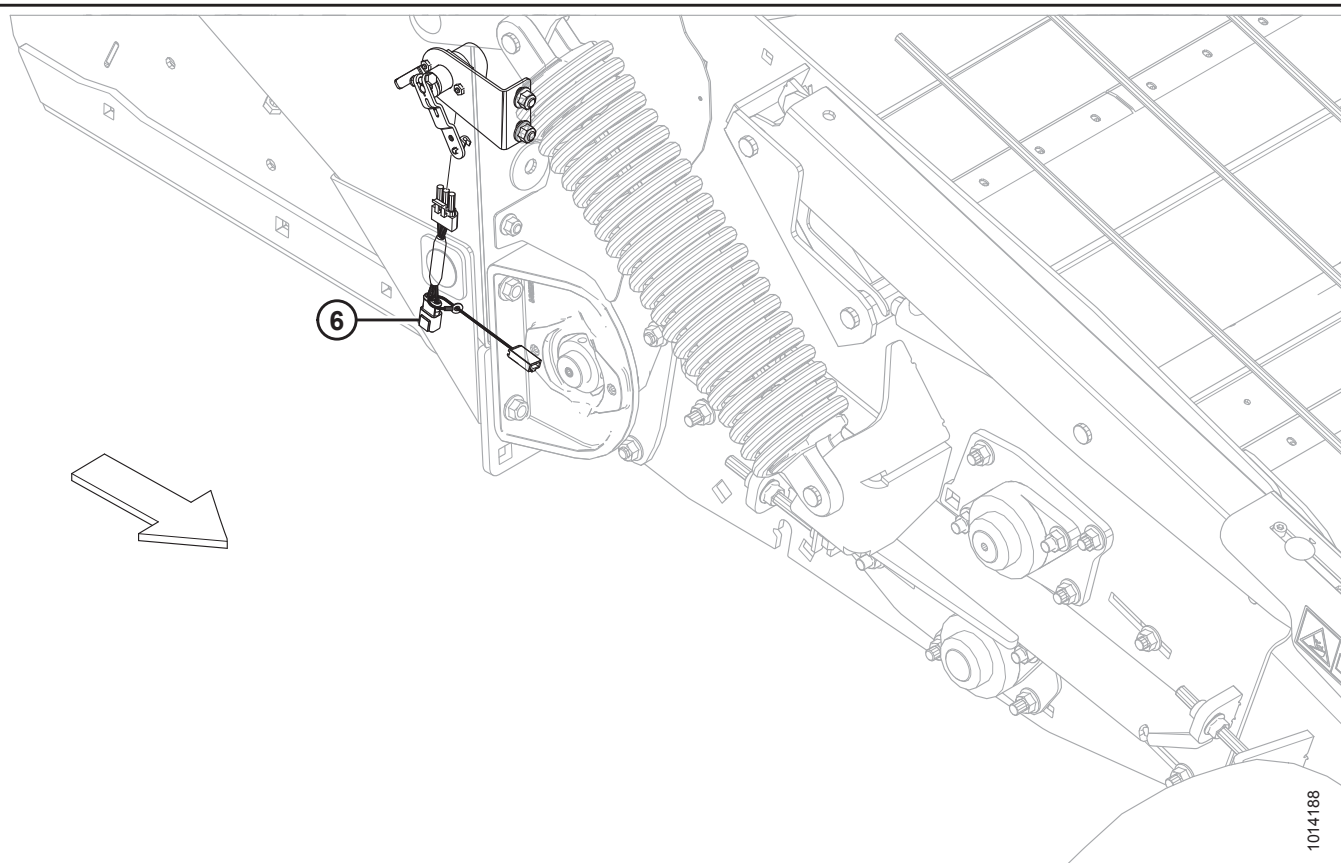
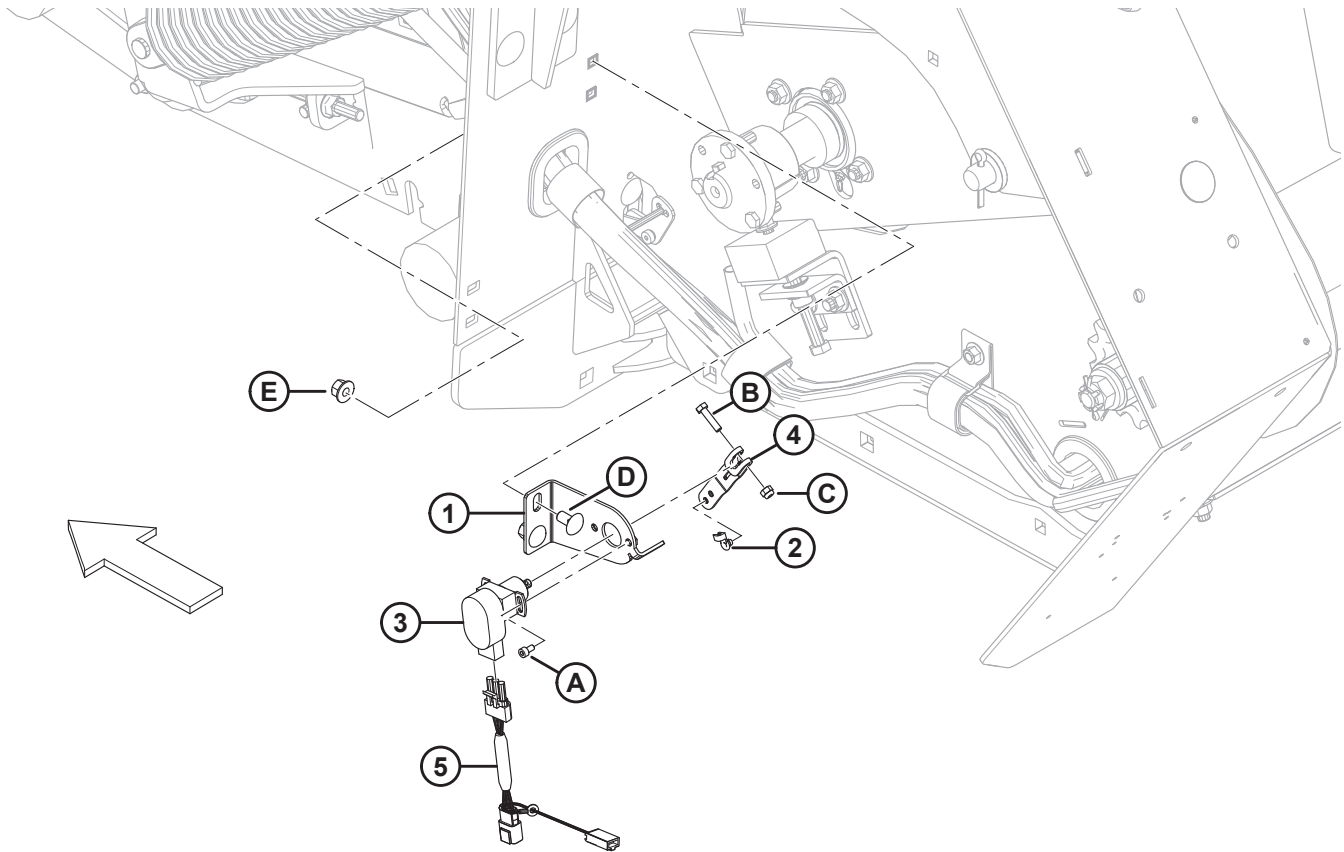
19 Combine Completion – Sensors (CNH)



COMBINE COMPLETION – SENSORS (CNH)

Ref	Part Number	Description	Qty	Serial Number
1	197940	SUPPORT – SENSOR MOUNT	2	
2	187193	ARM – SENSOR CONTROL	2	
3	158069	CONTROL – POTENTIOMETER	2	
4	153492	CLIP – ROD END	2	
5	152982	HARNESS – LH HEADER HEIGHT	1	
6	152553	HARNESS – WIRE CASE RH	1	
A	197229	BOLT – RHSN TFL M5 X 0.8 X 35-8.8-A2L		
B	197230	NUT – HEX NYLOC M5 X 0.8-8-A2L		
C	136178	BOLT – RHSN M10 X 1.5 X 20-8.8-A3L		
D	50101	NUT – HEX FLG STVR LOC M10 X 1.5-10-A3L		

20 Combine Completion – Sensors (New Holland, 10 Volt)

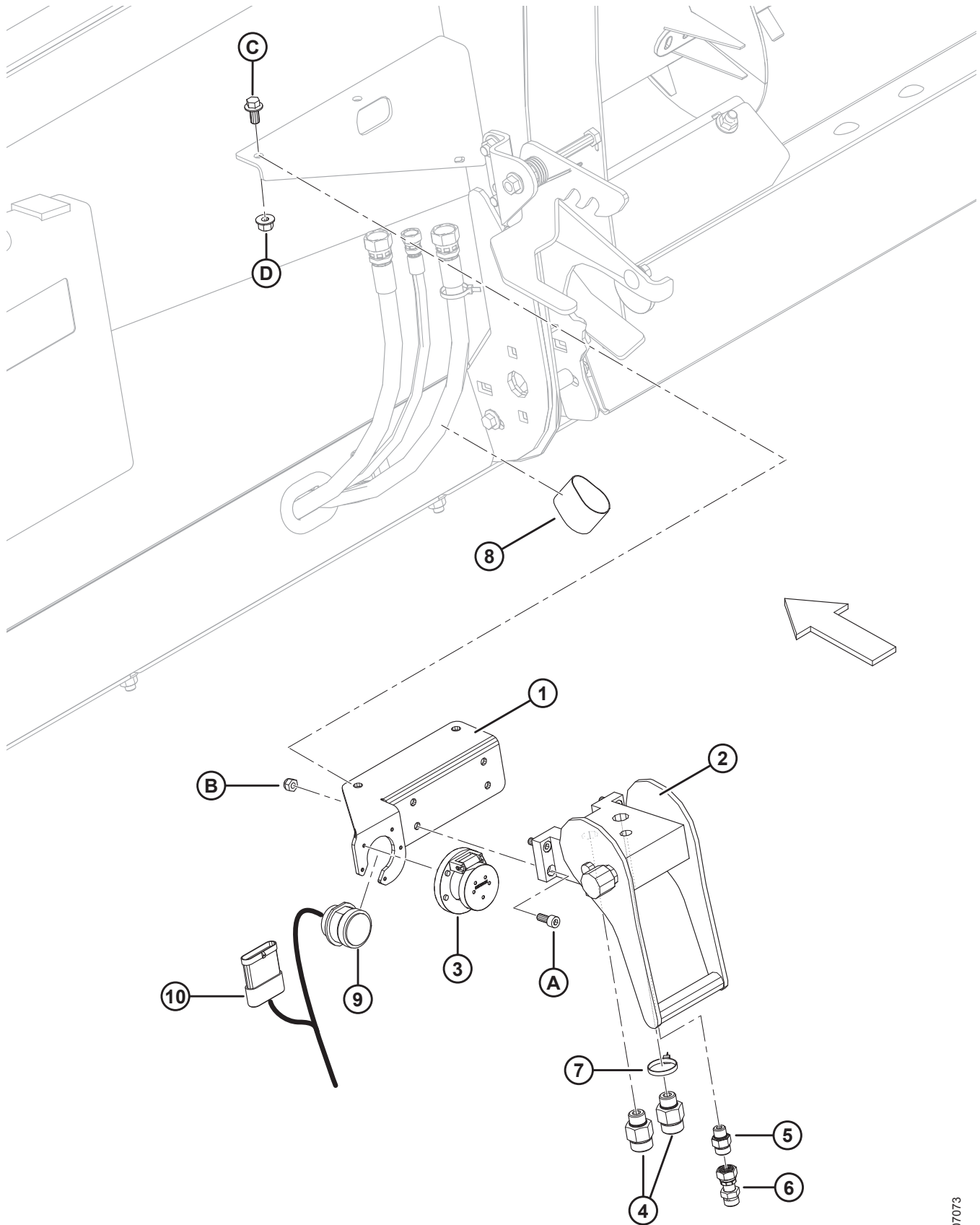


COMBINE COMPLETION – SENSORS (NEW HOLLAND, 10 VOLT)

Ref	Part Number	Description	Qty	Serial Number
	237574	KIT – 10 VOLT NH PW8 HEADER HEIGHT SENSOR ³²		
1	152459	SUPPORT – SENSOR MOUNT NEW HOLLAND	2	
2	153492	CLIP – ROD END	2	
3	153692	CONTROL – INDUCTIVE ANGLE SENSOR	2	
4	197255	ARM – LINKAGE (NH CR/CX)	2	
5	152983	HARNESS – WIRING HEADER HEIGHT NH (LH)	1	
6	152552	HARNESS – WIRING HEADER HEIGHT NH (RH)	1	
A	197224	SCREW – HEX SOC HD TFL M5 X 0.8 X 10-8.8-A2L		
B	135301	BOLT – HEX HD M6 X 1 X 25-8.8-A2L		
C	184685	NUT – HEX NYLOC M6 X 1-8-A2L		
D	184657	BOLT – RHSSN M10 X 1.5 X 20-8.8-A3L		
E	50101	NUT – HEX FLG STVR LOC M10 X 1.5-10-A3L		

32. Required for some New Holland combines (CR 9090, 10.90 units, etc.) manufactured in Belgium. Kit includes all listed parts for both left-hand and right-hand sensors and complete instructions.

21 Combine Completion – Hydraulic/Electric (CNH)



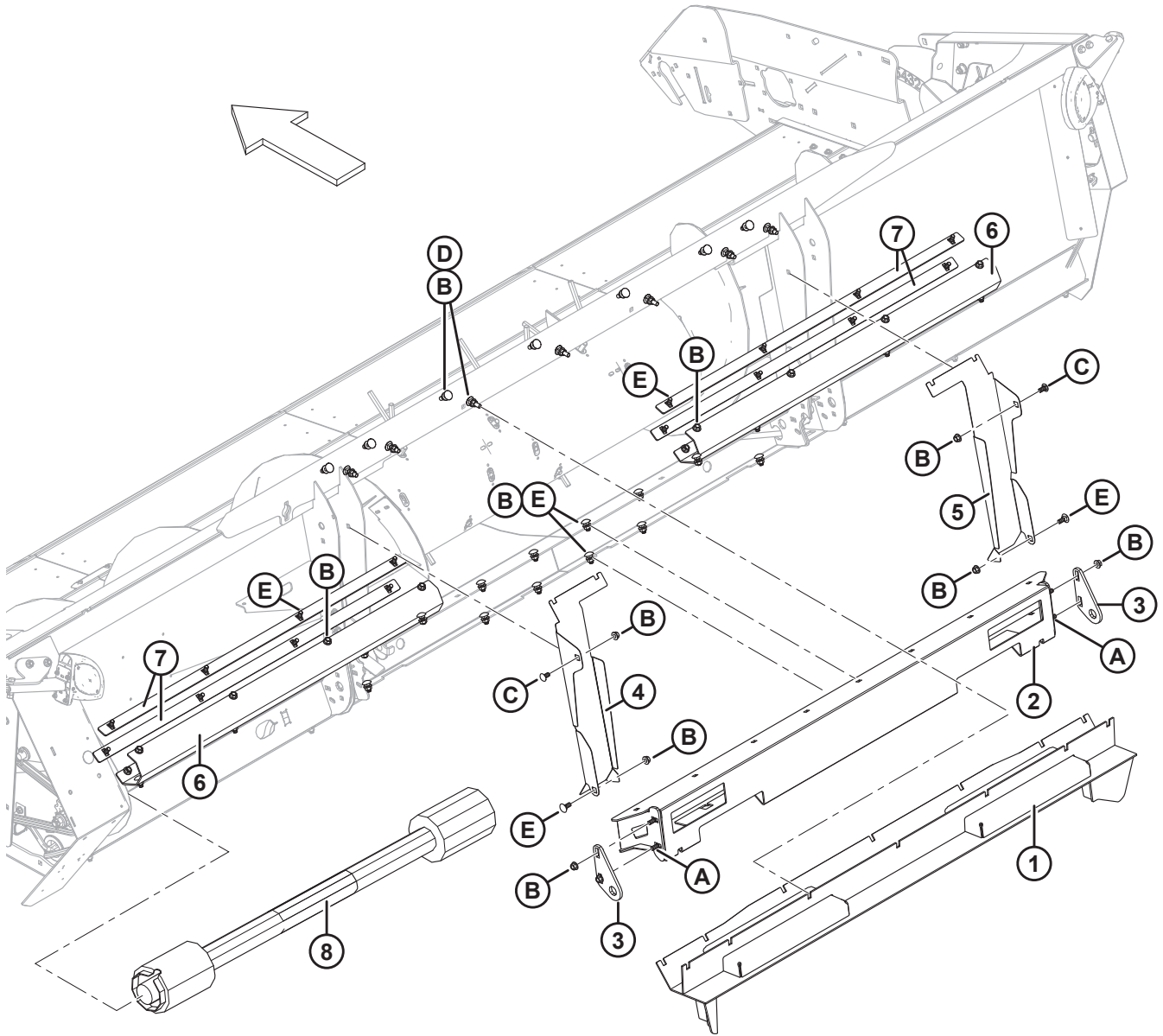
COMBINE COMPLETION – HYDRAULIC/ELECTRIC (CNH)

Ref	Part Number	Description	Qty	Serial Number
1	237640	SUPPORT – HYD COUPLER MACHINING AND FORMING	1	
2	184456	COUPLING – QUICK RELEASE, CNH	1	
3	133277	COVER – ELECTRICAL	1	
4	135781	FITTING – ADAPTER	2	
5	135778	FITTING – ADAPTER	1	
6	136530	FITTING – CONNECTOR HYD, 0.020 IN. ORIFICE	1	
7	40701	FASTENER – CABLE TIE (YELLOW)	1	
8	135443	FASTENER – CINCH STRAP 4 IN. LG	1	
9	197178	HARNESS – WIRING CNH ADAPTER	1	
10	153933	RESISTOR – HEADER RECOGNITION	1	
A	184651	SCREW – HEX SOC HD M8 X 1.25 X 20-12.9-A2L		
B	184688	NUT – HEX NYLOC M8 X 1.25-8-A2L		
C	152655	BOLT – HEX FLG HD M10 X 1.5 X 20-8.8-A3L		
D	50101	NUT – HEX FLG STVR LOC M10 X 1.5-10-A3L		

NOTE:

For specific electrical harness parts, refer to Electrical Connector Parts Catalog (MD #169641).

22 Combine Completion – Connection (JD)

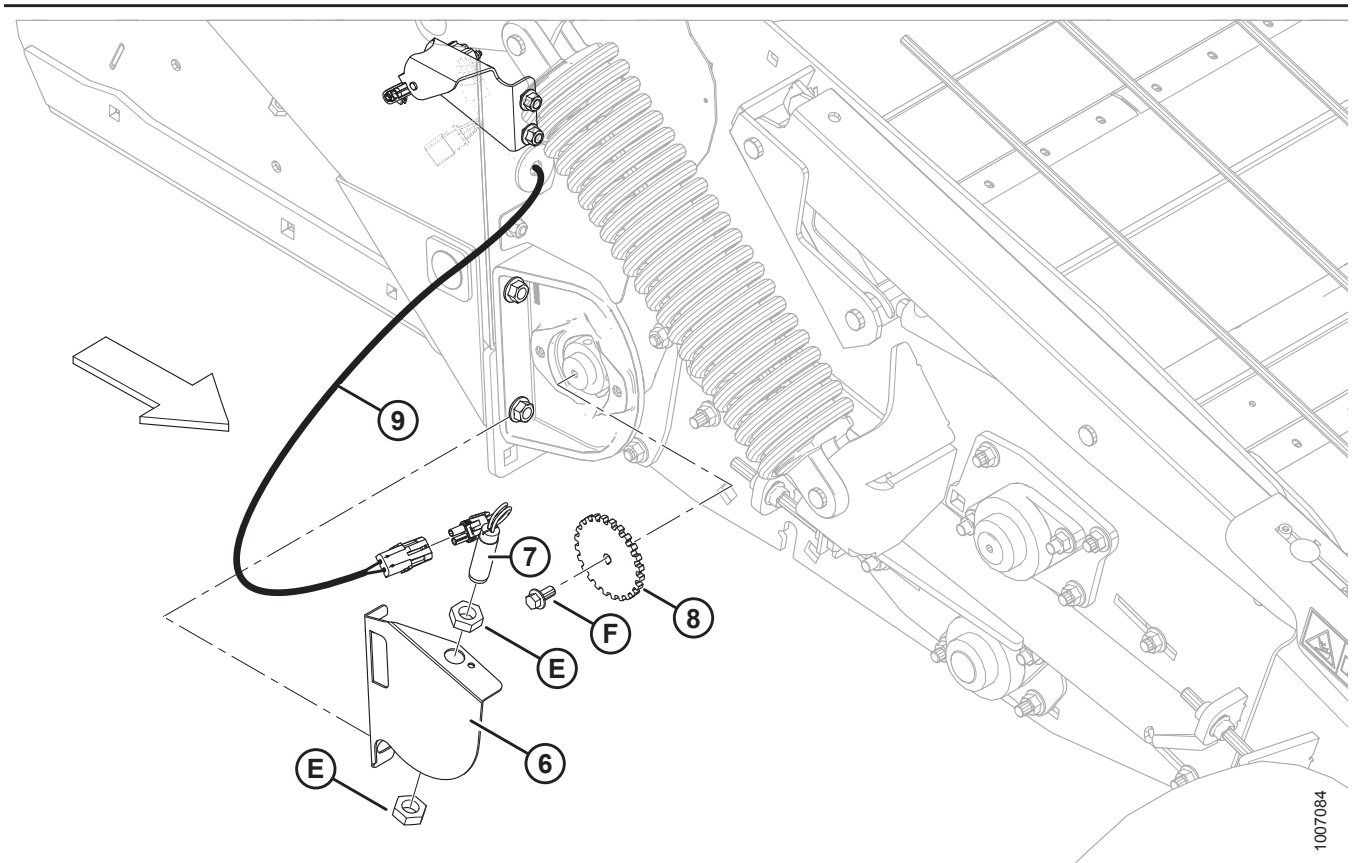
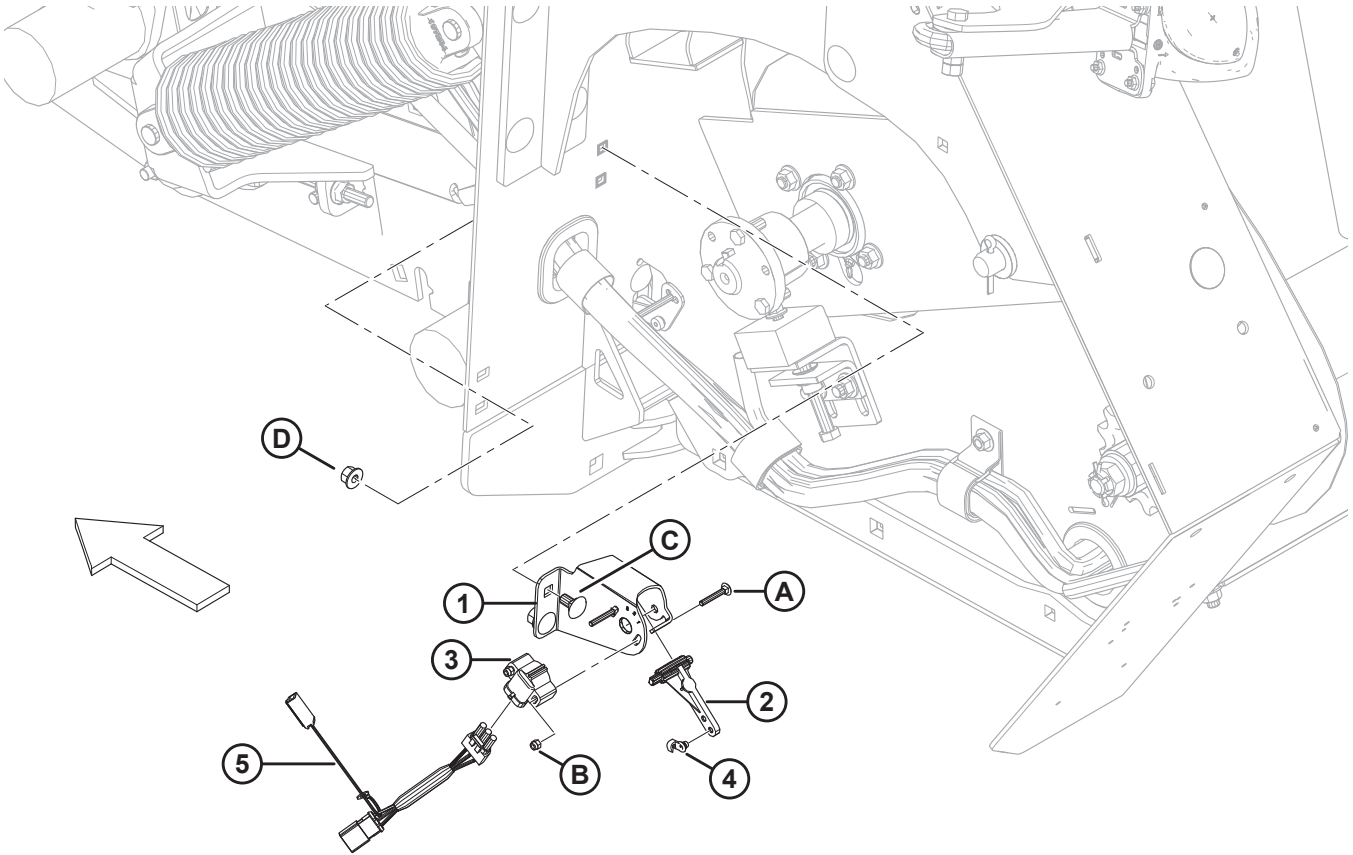


COMBINE COMPLETION – CONNECTION (JD)

Ref	Part Number	Description	Qty	Serial Number
1	152368	BEAM – JD TOP WELD'T	1	
2	152837	BEAM – JD BOTTOM WELD'T	1	
3	197395	TAB – LOCKING JD	2	
4	197393	PANEL – JD LEFT	1	
5	197394	PANEL – JD RIGHT	1	
6	237775	BRACKET	2	
7	237779	BAR – STRIPPER BRACKET	4	
8	152556	DRIVELINE – 21 TOOTH SPLINE, JD, AGCO AXIAL ³³	1	
A	136291	BOLT – RHSN M12 X 1.75 X 35-10.9-A3L		
B	148645	NUT – HEX FLG STVR LOC M12 X 1.75-10-A3L		
C	152439	BOLT – RHSSN M12 X 1.75 X 25-8.8-A3L		
D	184668	BOLT – RHSN TFL M12 X 1.75 X 45 X SPCL-8.8-A3L		
E	184667	BOLT – RHSN M12 X 1.75 X 30-8.8-A3L		

33. For serviceable components refer to Section *29 Driveline Components – MD #152556, page 65.*

23 Combine Completion – Sensors (JD)

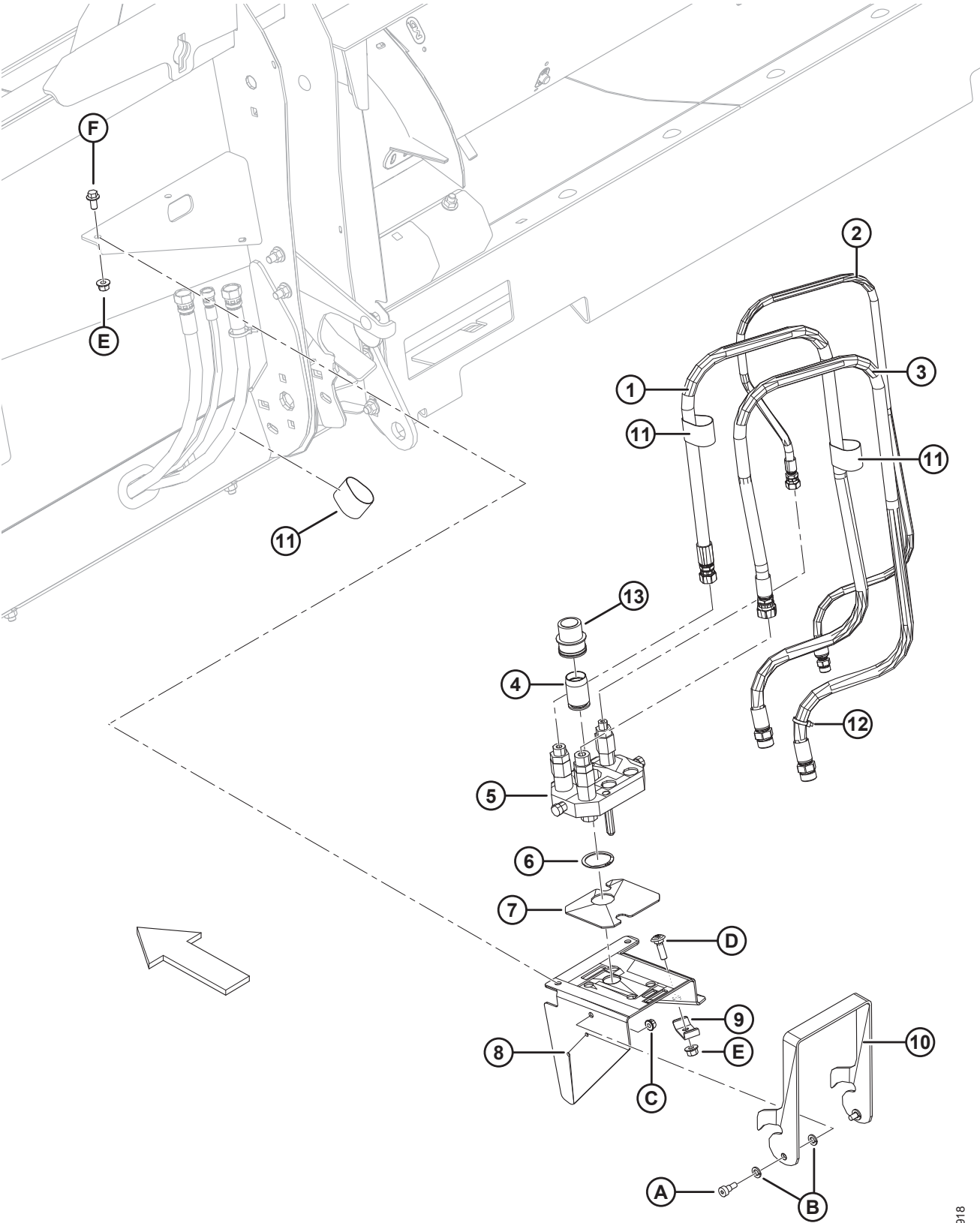


COMBINE COMPLETION – SENSORS (JD)

Ref	Part Number	Description	Qty	Serial Number
1	197940	SUPPORT – SENSOR MOUNT	2	
2	187193	ARM – SENSOR CONTROL	2	
3	158069	CONTROL – POTENTIOMETER	2	
4	153492	CLIP – ROD END	2	
5	152982	HARNESS – WIRING LH HEADER HEIGHT	1	
A	197229	BOLT – RHSN TFL M5 X 0.8 X 35-8.8-A2L		
B	197230	NUT – HEX NYLOC M5 X 0.8-8-A2L		
C	136178	BOLT – RHSN M10 X 1.5 X 20-8.8-A3L		
D	50101	NUT – HEX FLG STVR LOC M10 X 1.5-10-A3L		
6	197141	SUPPORT – SPEED SENSOR JD, CLAAS	1	
7	184437	SENSOR, SPEED AH116104	1	
8	152447	DISC – JD SPEED SENSOR	1	
	18963	WASHER – FLAT, 1.6 MM THICK (OPTIONAL) ³⁴	A/R	
	16652	WASHER – FLAT, 3 MM THICK (OPTIONAL) ³⁴	A/R	
9	197184	HARNESS – RH JD 60 SERIES	1	
E	7674	NUT – HEX JAM 3/4-16 UNF GR 5 ZP		
F	152670	BOLT – HEX FLG HD M10 X 1.5 X 20 X SPCL-8.8-A3L		

34. Optional; When installing the speed sensor disc there is sometimes interference between the disc and the support bearing. If this interference exists choose only one of the listed washers (MD #18963 or 16652) to alleviate the interference.

24 Combine Completion – Hydraulic/Electric, 2015 and Prior (JD)



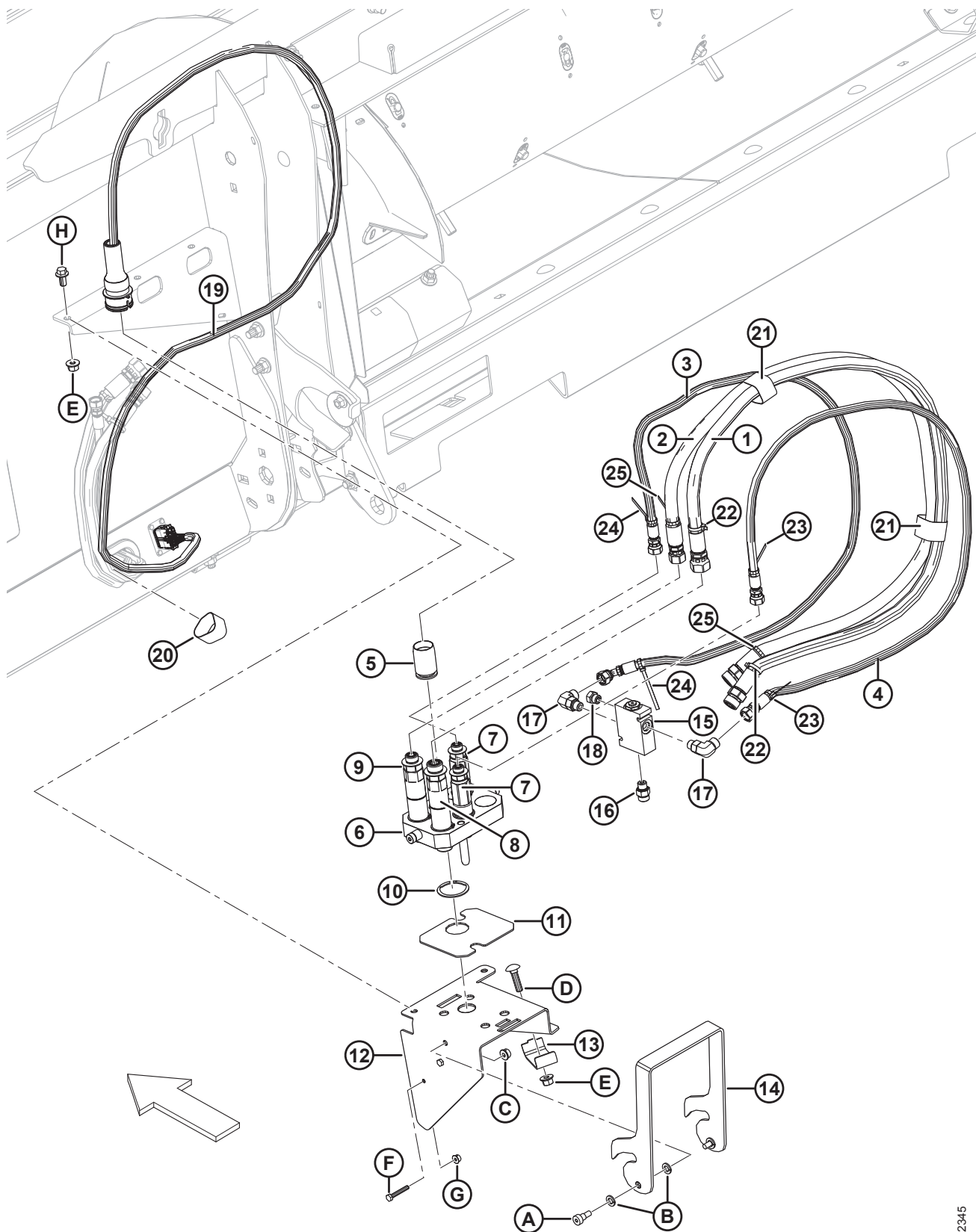
COMBINE COMPLETION – HYDRAULIC/ELECTRIC, 2015 AND PRIOR (JD)

Ref	Part Number	Description	Qty	Serial Number
1	237168	HOSE – HYD	1	
2	237169	HOSE – HYD	1	
3	237167	HOSE – HYD	1	
4	129148	PLUG – RUBBER	1	
5	190536	COUPLING – MULTI JD 60 SERIES, 3 COUPLER	1	
	184460	COUPLER – 1/2 IN. FF MULTI	2	
	129860	SEAL KIT – 1/2 IN. 60 SERIES MULTI-COUPLER (FOR COUPLER 184460)	2	
	184461	FITTING – ADAPTER 10 MORFS X 10 MORB (DRIVE RETURN)	1	
	184463	FITTING – ADAPTER 8 MORFS X 10 MORB (DRIVE PRESSURE)	1	
	184524	BOLT – SHOULDER	2	
	191704	COUPLER – LIFT, JD 60	1	
	129859	SEAL KIT – 3/8 IN. 60 SERIES MULTI-COUPLER (FOR COUPLER 191704)	1	
	191705	FITTING – ADAPTER 6 MORFS X 8 MORB (HOLD-DOWN LIFT)	1	
6	135267	RING – INVERTED EXT RETAINING	1	
7	129149	PAD – RUBBER	1	
8	237783	BRACKET – COUPLER (AGCO/JD)	1	
9	237394	HOLDER – HOSES	1	
10	129143	LATCH – COUPLER BRKT	1	
11	135443	FASTENER – CINCH STRAP 4 IN. LG	3	
12	40701	FASTENER – CABLE TIE (YELLOW)	1	
13	197176	HARNESS – WIRING ADAPTER JD 60 SERIES	1	
A	135894	SCREW – HEX SOC HD SHLDR 10 X 10-12.9-A2L		
B	30632	WASHER – LOCK SPRING M10-200HV-A3L		
C	135337	NUT – HEX FLG CTR LOC M8 X 1.25-8-A2L		
D	135691	BOLT – RHSN TFL M10 X 1.5 X 35-8.8-A3L		
E	50101	NUT – HEX FLG STVR LOC M10 X 1.5-10-A3L		
F	152655	BOLT – HEX FLG HD M10 X 1.5 X 20-8.8-A3L		

NOTE:

For specific electrical harness parts, refer to Electrical Connector Parts Catalog (MD #169641).

25 Combine Completion – Hydraulic / Electric, 2016 and Later (JD)



COMBINE COMPLETION – HYDRAULIC / ELECTRIC, 2016 AND LATER (JD)

Ref	Part Number	Description	Qty	Serial Number
1	237167	HOSE – HYD	1	
2	237168	HOSE – HYD	1	
3	237754	HOSE – HYD	1	
4	237755	HOSE – HYD	1	
5	129148	PLUG – RUBBER	1	
6	237723	COUPLING – MULTI 4-POSITION ³⁵	1	
7	279011	KIT – COUPLER, 3/8 C/W 3/8 FTG (HOLDDOWN RAISE, GREEN DISC / HOLDDOWN LOWER, RED DISC) ³⁶	2	
	279034	SEAL – SHAPED, 3/8 IN.		
8	279012	KIT – COUPLER, 9/16 C/W 5/8 FTG (DRIVE RETURN, YELLOW DISC) ³⁶	1	
	279035	SEAL – SHAPED, 9/16 IN.		
9	279013	KIT – COUPLER, 9/16 C/W 1/2 FTG (DRIVE PRESSURE, WHITE DISC) ³⁶	1	
	279035	SEAL – SHAPED, 9/16 IN.		
10	135267	RING – INVERTED EXT RETAINING	1	
11	129149	PAD – RUBBER	1	
12	237783	BRACKET – COUPLER (JD)	1	
13	237758	HOLDER – HOSES	1	
14	129143	LATCH – COUPLER BRKT	1	
15	279163	MANIFOLD C/W CHECK VALVE ³⁷	1	
	279227	MANIFOLD	1	
	279228	CHECK VALVE	1	
16	135778	FITTING – ADAPTER	1	
17	136095	FITTING – ELBOW 90° HYD	2	
18	30994	PLUG – HEX C/W O-RING	1	
19	197176	HARNESS – WIRING ADAPTER JD 60 SERIES	1	

NOTE:

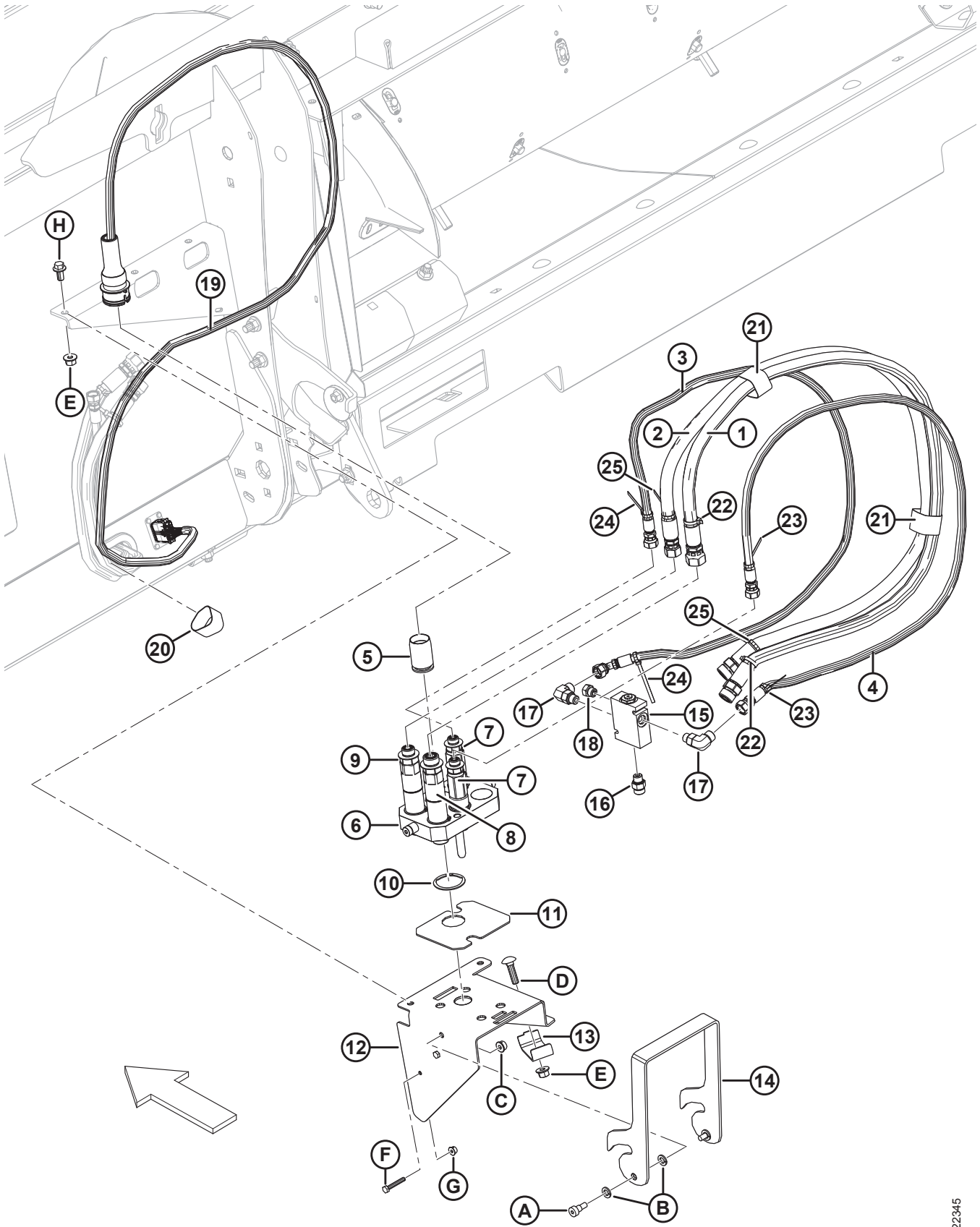
For specific electrical harness parts, refer to Electrical Connector Parts Catalog (MD #169641).

35. Includes two coupler kits (MD #279011) and coupler kits (MD #279012, 279013).

36. Kit includes adapter fitting, snap ring, colored ID discs, and plastic cap.

37. Includes manifold (MD #279227) and check valve (MD #279228).

COMBINE COMPLETION – HYDRAULIC / ELECTRIC, 2016 AND LATER (JD)



1022345

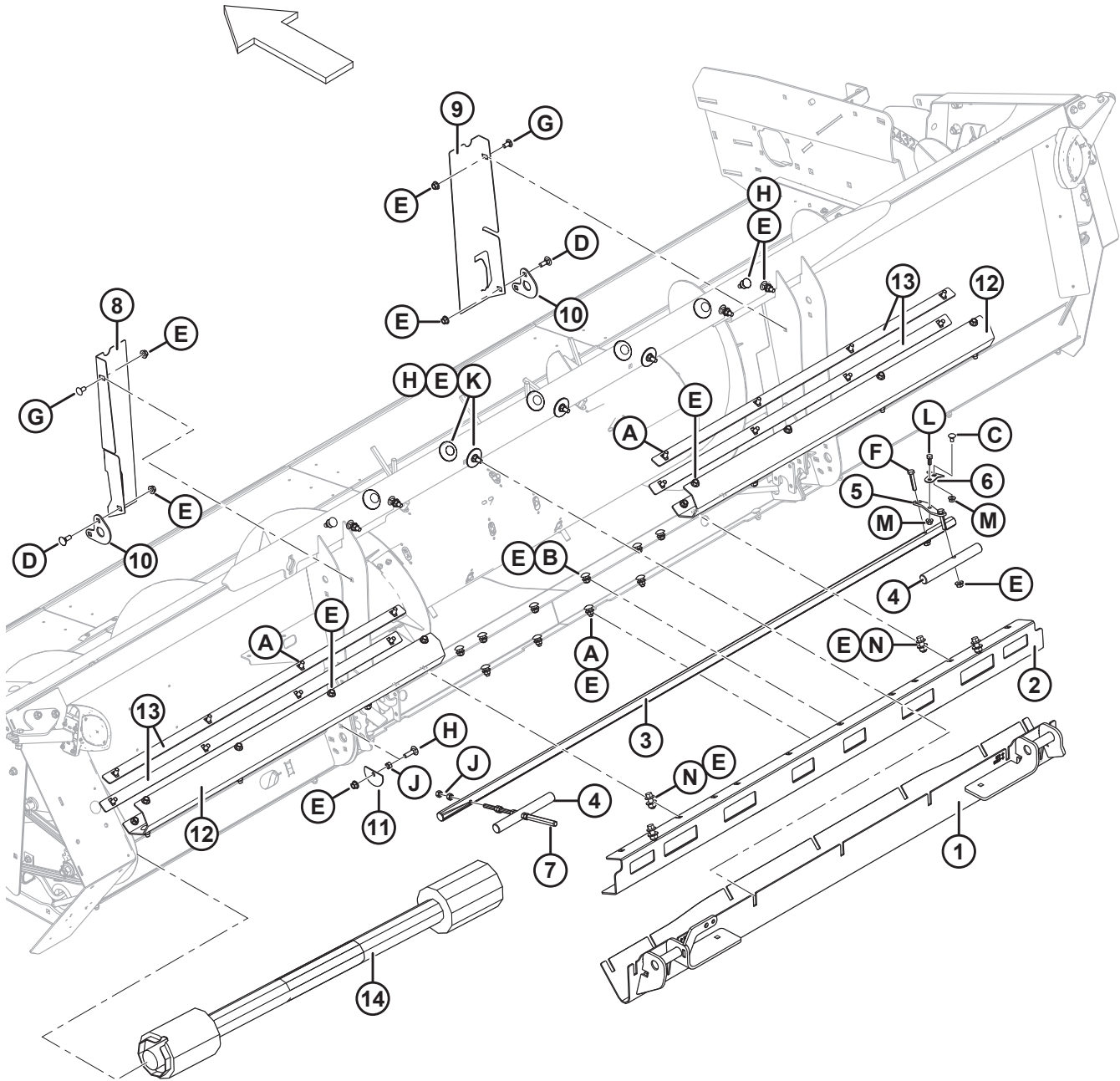
COMBINE COMPLETION – HYDRAULIC / ELECTRIC, 2016 AND LATER (JD)

Ref	Part Number	Description	Qty	Serial Number
20	135443	FASTENER – CINCH STRAP 4 IN. LG	1	
21	135444	FASTENER – CINCH STRAP 6 IN. LG	2	
22	40701	FASTENER – CABLE TIE (YELLOW)	2	
23	40702	FASTENER – CABLE TIE (RED)	2	
24	49227	FASTENER – CABLE TIE (GREEN)	2	
25	49232	FASTENER – CABLE TIE (WHITE)	2	
A	135894	SCREW – HEX SOC HD SHLDR 10 X 10-12.9-A2L		
B	30632	WASHER – LOCK SPRING M10-200HV-A3L		
C	135337	NUT – HEX FLG CTR LOC M8 X 1.25-8-A2L		
D	152732	BOLT – RHSN M10 X 1.5 X 40-8.8-A3L		
E	50101	NUT – HEX FLG STVR LOC M10 X 1.5-10-A3L		
F	135671	BOLT – HEX HD TFL M6 X 1 X 40-8.8-A2L		
G	152668	NUT – HEX FLG CTR LOC M6 X 1-8-A2L		
H	152655	BOLT – HEX FLG HD M10 X 1.5 X 20-8.8-A3L		

NOTE:

For specific electrical harness parts, refer to Electrical Connector Parts Catalog (MD #169641).

26 Combine Completion – Connection (Versatile)

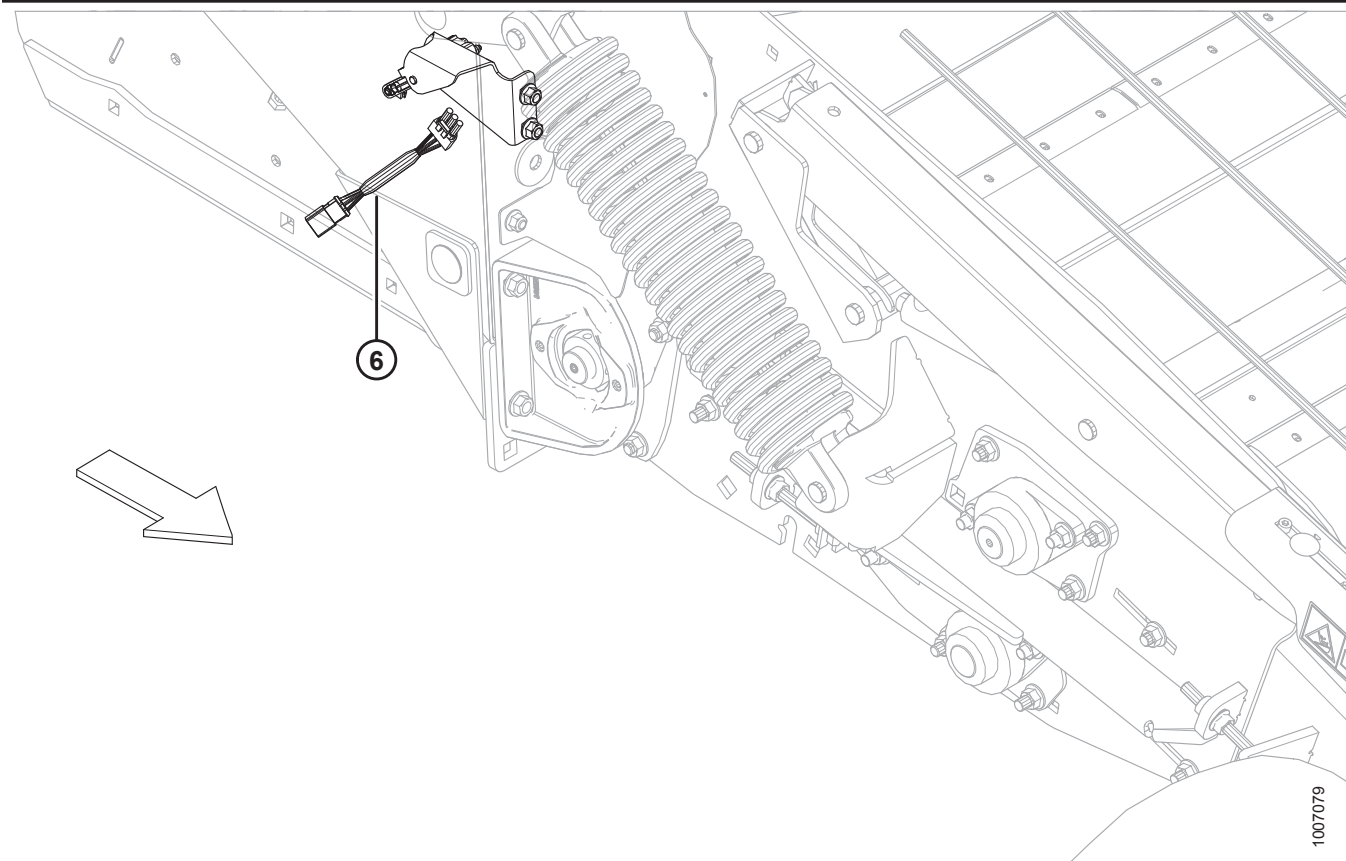
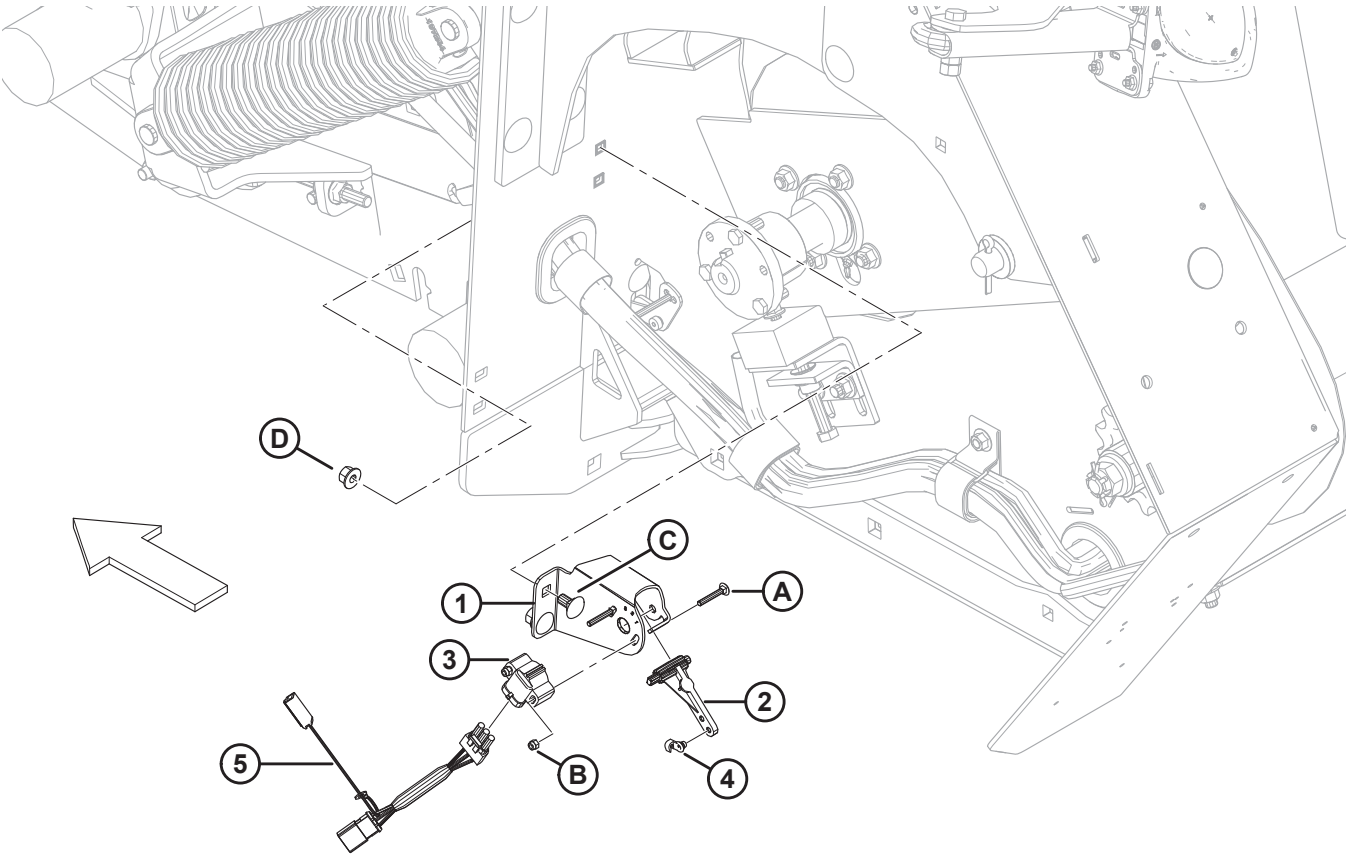


COMBINE COMPLETION – CONNECTION (VERSATILE)

Ref	Part Number	Description	Qty	Serial Number
1	152215	SUPPORT – TOP WELD'T	1	
2	152174	SUPPORT – BOTTOM	1	
3	152187	PIN	1	
4	152907	PIN	2	
5	152188	LEVER	1	
6	152350	PLATE – PIVOT	1	
7	237195	HANDLE – PIN LINKAGE	1	
8	152159	PANEL – LEFT	1	
9	152315	PANEL – RIGHT	1	
10	152170	PLATE – PIN	2	
11	152191	PLATE – STOP	1	
12	237775	BRACKET	2	
13	237779	BAR – STRIPPER BRACKET	4	
14	152558	DRIVELINE – 6 TOOTH SPLINE (WALTERSCHEID) ³⁸	1	
A	184667	BOLT – RHSN M12 X 1.75 X 30-8.8-A3L		
B	135903	BOLT – RHSN M12 X 1.75 X 25-8.8-A3L		
C	136178	BOLT – RHSN M10 X 1.5 X 20-8.8-A3L		
D	136291	BOLT – RHSN TFL M12 X 1.75 X 35-8.8-A3L		
E	148645	NUT – HEX FLG STVR LOC M12 X 1.75-10-A3L		
F	152274	BOLT – HEX HD M12 X 1.75 X 60-8.8-A3L		
G	152439	BOLT – RHSSN M12 X 1.75 X 25-8.8-A3L		
H	184668	BOLT – RHSN TFL M12 X 1.75 X 45 X SPCL-8.8-A3L		
J	184694	NUT – HEX M12 X 1.75-8-A3L		
K	237190	WASHER – 12.1 I.D., 65 O.D.		
L	30627	BOLT – HEX HD TFL M10 X 1.5 X 25-8.8-A3L		
M	50101	NUT – HEX FLG STVR LOC M10 X 1.5-10-A3L		
N	148798	BOLT – HEX FLG HD M12 X 1.75 X 30-10.9-A3L		

38. For serviceable components refer to Section *30 Driveline Components – MD #152558, page 67.*

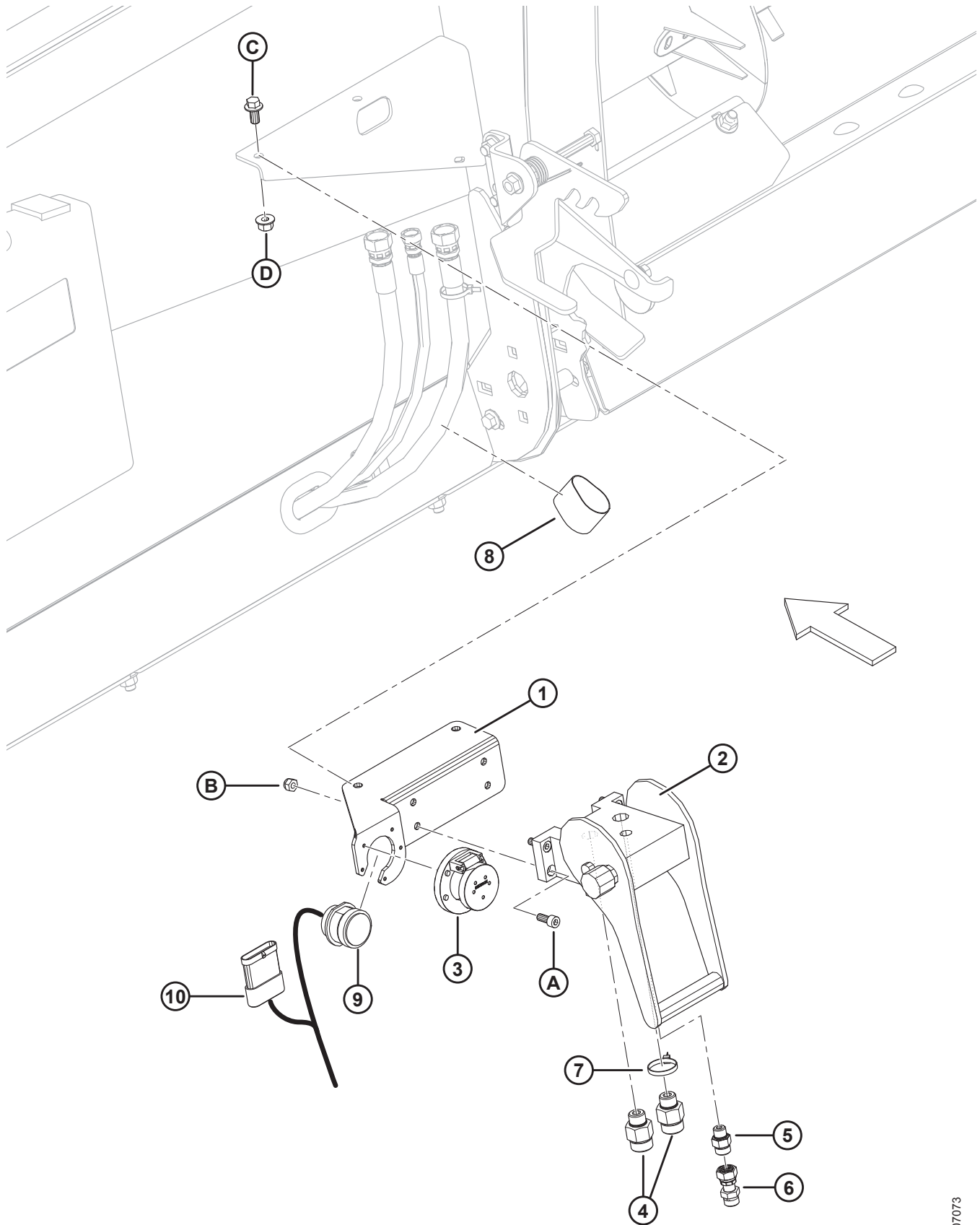
27 Combine Completion – Sensors (Versatile)



COMBINE COMPLETION – SENSORS (VERSATILE)

Ref	Part Number	Description	Qty	Serial Number
1	197940	SUPPORT – SENSOR MOUNT	2	
2	187193	ARM – SENSOR CONTROL	2	
3	158069	CONTROL – POTENTIOMETER	2	
4	153492	CLIP – ROD END	2	
5	152982	HARNESS – WIRING LH HEADER HEIGHT	1	
6	152553	HARNESS – WIRE RH	1	
A	197229	BOLT – RHSN TFL M5 X 0.8 X 35-8.8-A2L		
B	197230	NUT – HEX NYLOC M5 X 0.8-8-A2L		
C	136178	BOLT – RHSN M10 X 1.5 X 20-8.8-A3L		
D	50101	NUT – HEX FLG STVR LOC M10 X 1.5-10-A3L		

28 Combine Completion – Hydraulic/Electric (Versatile)



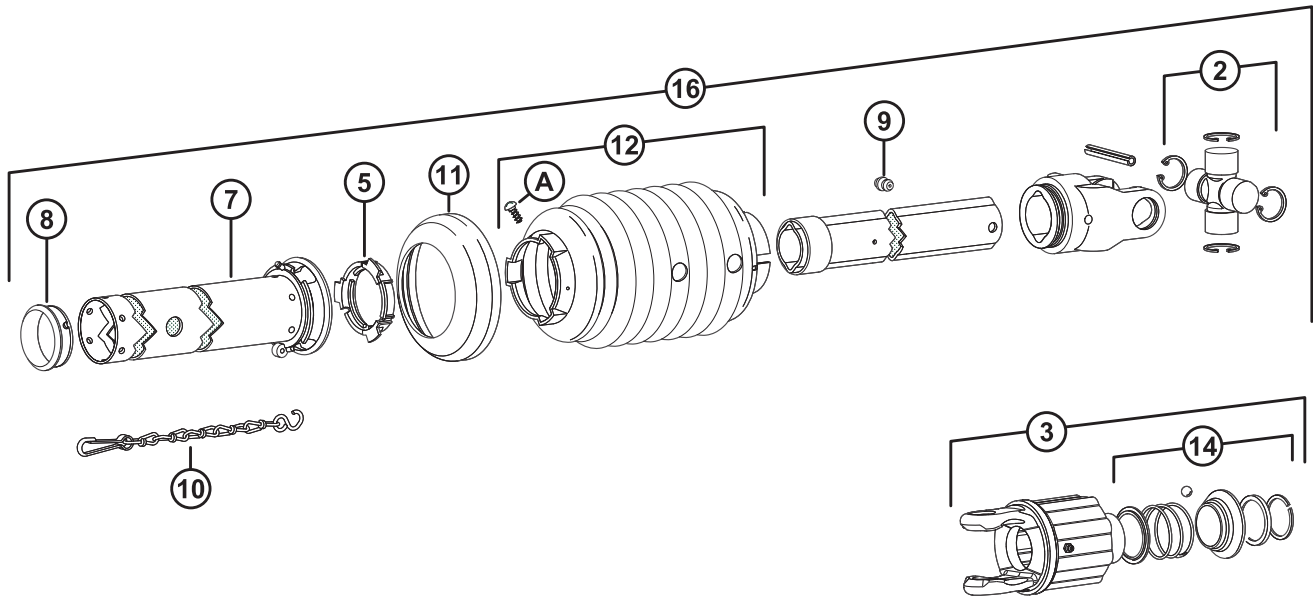
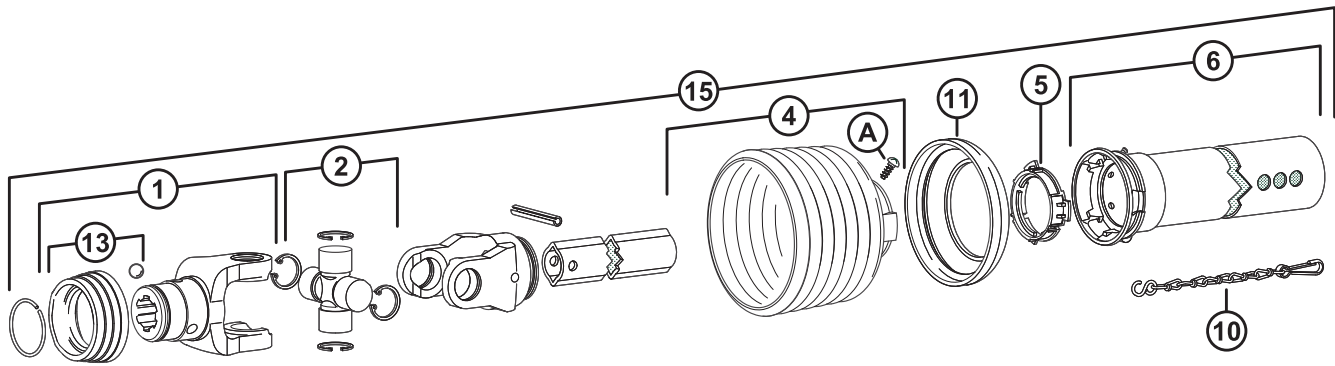
COMBINE COMPLETION – HYDRAULIC/ELECTRIC (VERSATILE)

Ref	Part Number	Description	Qty	Serial Number
1	237640	SUPPORT – HYD COUPLER MACHINING AND FORMING	1	
2	184456	COUPLING – QUICK RELEASE, CNH	1	
3	133277	COVER – ELECTRICAL	1	
4	135781	FITTING – ADAPTER	2	
5	135778	FITTING – ADAPTER	1	
6	136530	FITTING – CONNECTOR HYD, 0.020 IN. ORIFICE	1	
7	40701	FASTENER – CABLE TIE (YELLOW)	1	
8	135443	FASTENER – CINCH STRAP 4 IN. LG	1	
9	197178	HARNESS – WIRING ADAPTER	1	
10	153933	RESISTOR – HEADER RECOGNITION	1	
A	184651	SCREW – HEX SOC HD M8 X 1.25 X 20-12.9-A2L		
B	184688	NUT – HEX NYLOC M8 X 1.25-8-A2L		
C	152655	BOLT – HEX FLG HD M10 X 1.5 X 20-8.8-A3L		
D	50101	NUT – HEX FLG STVR LOC M10 X 1.5-10-A3L		

NOTE:

For specific electrical harness parts, refer to Electrical Connector Parts Catalog (MD #169641).

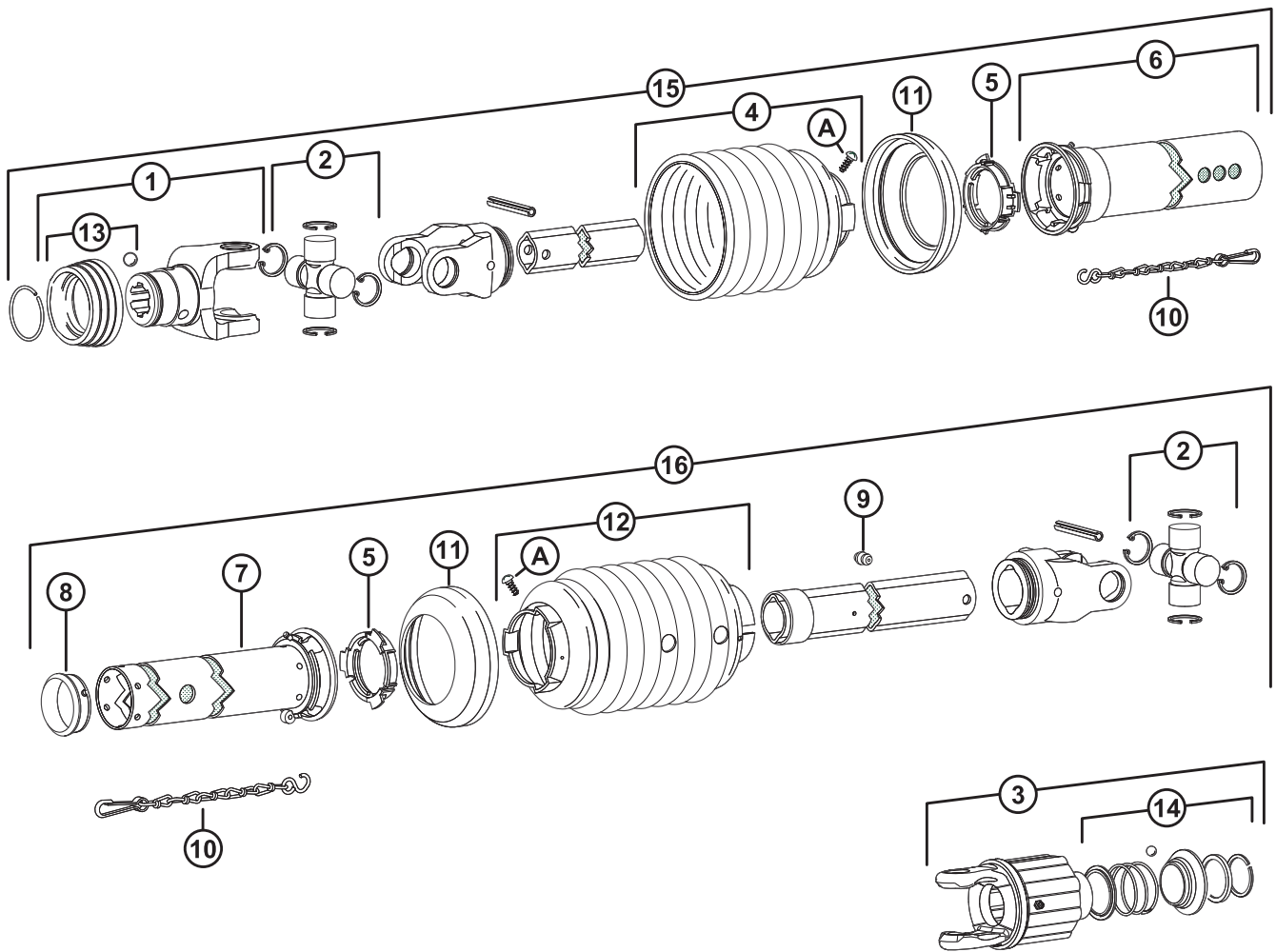
29 Driveline Components – MD #152556



DRIVELINE COMPONENTS – MD #152556

Ref	Part Number	Description	Qty	Serial Number
1	191251	YOKE – 1 3/8-Z21, QD	1	
2	197612	KIT – CROSS JOURNAL	2	
3	191137	CLUTCH – ASSEMBLY	1	
4	237588	GUARD – CONE 7 RIB	1	
5	237587	RING	2	
6	197621	GUARD – OUTER	1	
7	197615	GUARD – INNER TUBE	1	
8	191232	SUPPORT – DRIVELINE SHIELD	1	
9	191188	GREASE – ZERK	1	
10	191138	CHAIN – DRIVESHAFT SHIELD	2	
11	191233	COLLAR – REINFORCING	2	
12	237651	GUARD – CONE 11 RIB FLEX	1	
13	191144	KIT – DISCONNECT SLIDE COLLAR	1	
14	191143	KIT – QUICK DISCONNECT, CLUTCH	1	
15	237366	DRIVELINE – HALF 1 3/8 IN. 21 SPL	1	
16	237364	DRIVELINE – HALF 1 3/8 IN. 6 SPL WITH SLIP CLUTCH	1	
A	191375	SCREW – SHIELD CONE		

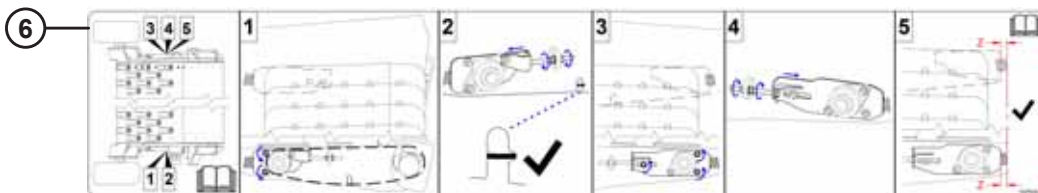
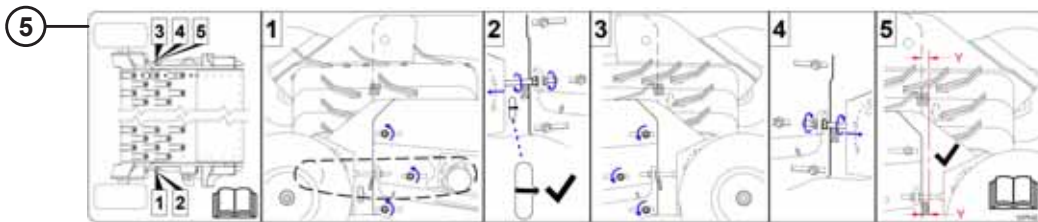
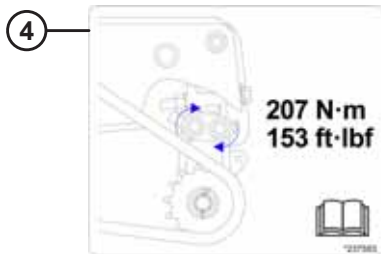
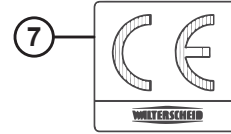
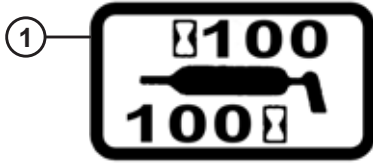
30 Driveline Components – MD #152558



DRIVELINE COMPONENTS – MD #152558

Ref	Part Number	Description	Qty	Serial Number
1	191250	YOKE – 1 3/8-Z6, QD	1	
2	197612	KIT – CROSS JOURNAL	2	
3	191137	CLUTCH – ASSEMBLY	1	
4	237589	GUARD – CONE 8 RIB FLEX	1	
5	237587	RING	2	
6	197622	GUARD – OUTER	1	
7	197615	GUARD – INNER TUBE	1	
8	191232	SUPPORT – DRIVELINE SHIELD	1	
9	191188	GREASE – ZERK	1	
10	191138	CHAIN – DRIVESHAFT SHIELD	2	
11	191233	COLLAR – REINFORCING	2	
12	237651	GUARD – CONE 11 RIB FLEX	1	
13	191144	KIT – DISCONNECT SLIDE COLLAR	1	
14	191143	KIT – QUICK DISCONNECT, CLUTCH	1	
15	237365	DRIVELINE – HALF 1 3/8 IN. 6 SPL	1	
16	237364	DRIVELINE – HALF 1 3/8 IN. 6 SPL WITH SLIP CLUTCH	1	
A	191375	SCREW – SHIELD CONE		

31 Decals – Information



DECALS – INFORMATION

Ref	Part Number	Description	Qty	Serial Number
1	115759	DECAL – GREASE 100 HR		
2	197359	DECAL – RH PICKUP POSITION		
3	152901	DECAL – LH PICKUP POSITION		
4	237553	DECAL – CLAMPING NUT TORQUE		
5	237532	DECAL – FRONT DRAPER TENSION		
6	237533	DECAL – REAR DRAPER TENSION		
7	191166	DECAL – CE MARK (DRIVELINE)		

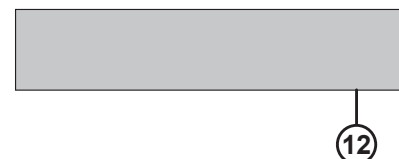
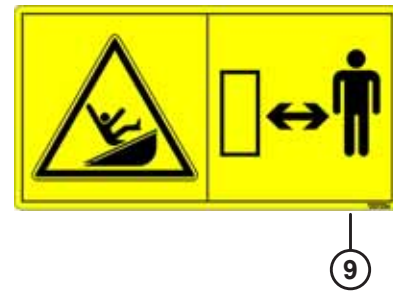
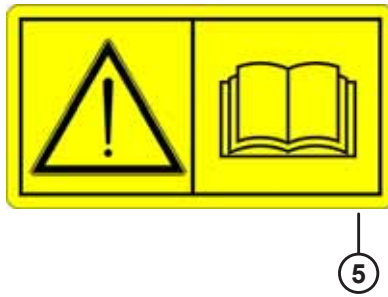
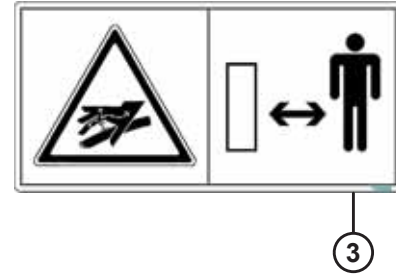
32 Decals – Product Identification, MacDon



DECALS – PRODUCT IDENTIFICATION, MACDON

Ref	Part Number	Description	Qty	Serial Number
1	237153	DECAL – LH, MACDON		
2	237154	DECAL – RH, MACDON		
3	197818	DECAL – STRIPE, RED LH		
	197819	DECAL – STRIPE, YELLOW LH		
	197820	DECAL – STRIPE, GREEN LH		
4	237170	DECAL – STRIPE, RED RH		
	237171	DECAL – STRIPE, YELLOW RH		
	237172	DECAL – STRIPE, GREEN RH		

33 Decals – Safety/Reflectors



DECALS – SAFETY/REFLECTORS

Ref	Part Number	Description	Qty	Serial Number
1	30316	DECAL – DANGER		
2	36651	DECAL – DANGER		
3	166466	DECAL – HIGH PRESSURE FLUID		
4	184370	DECAL – HEADER CRUSHING HAZARD		
5	184372	DECAL – READ MANUAL		
6	184420	DECAL – PROXIMITY EU		
7	184422	DECAL – PINCH POINT EU		
8	237229	DECAL – WARNING, CRUSH CYL LOCKOUT		
9	237254	DECAL – WARNING, HEADER		
10	237298	DECAL – WARNING, AUGER WRAP		
11	191099	DECAL – EUROPEAN (DRIVELINE)		
12	115145	REFLECTOR – FLUORESCENT RED-ORANGE		
	115146	REFLECTOR – AMBER		
	115147	REFLECTOR – RED		

Index

7674.....	52	135267.....	54, 56
16235.....	16, 18	135301.....	46
16652.....	52	135337.....	22, 30, 34, 54, 58
18596.....	6	135443.....	10, 48, 54, 58, 64
18599.....	2, 12	135444.....	58
18600.....	8	135671.....	58
18607.....	14, 18	135691.....	22, 54
18609.....	4	135695.....	16, 18
18642.....	38, 40	135696.....	6
18648.....	8, 10	135778.....	48, 56, 64
18671.....	40	135781.....	48, 64
18704.....	8	135785.....	6
18738.....	10	135894.....	54, 58
18963.....	52	135900.....	22, 28, 40
21374.....	14	135903.....	2, 34, 60
21703.....	14	135923.....	2
21763.....	10	135959.....	6
30316.....	74	136036.....	6, 28
30627.....	60	136038.....	2
30632.....	54, 58	136049.....	28
30855.....	2	136095.....	10, 56
30994.....	56	136178.....	2, 6, 44, 52, 60, 62
32247.....	2	136211.....	8
36651.....	74	136239.....	10
40701.....	10, 48, 54, 58, 64	136252.....	12
40702.....	58	136263.....	8
42080.....	4, 12	136291.....	6, 28, 40, 42, 50, 60
49227.....	58	136310.....	40
49232.....	58	136399.....	2
50101.....	2, 6, 8, 16, 18, 22, 34, 36, 44, 46, 48, 52, 54, 58, 60, 62, 64	136440.....	16, 40
103105.....	8, 10	136476.....	18
103738.....	8	136530.....	48, 64
110783.....	4	136535.....	10
112520.....	34	136663.....	2
115145.....	74	136680.....	2
115146.....	74	136681.....	2
115147.....	74	136700.....	2
115759.....	70	136705.....	36
123180.....	20	136841.....	32
123982.....	8	136872.....	34
125343.....	12	139630.....	12
129143.....	54, 56	143972.....	28
129148.....	54, 56	143973.....	14
129149.....	54, 56	148645.....	2, 6, 8, 12, 16, 18, 22, 26, 28, 34, 38, 40, 42, 50, 60
129859.....	54	148798.....	2, 12, 60
129860.....	54	152076.....	42
133165.....	4	152157.....	6, 34
133277.....	48, 64	152159.....	60
135155.....	40	152170.....	60
135232.....	8	152174.....	60

INDEX

152177	28	166466	74
152187	60	167307	34
152188	60	172558	16
152191	60	172877	4
152215	60	181047	32
152220	42	182007	20
152266	14, 18	182024	20
152274	60	182029	20
152315	60	182042	14, 18
152326	28	182152	42
152350	60	182154	42
152355	14, 18	184301	12
152368	50	184331	34
152384	14, 18	184370	74
152419	4	184372	74
152439	6, 8, 50, 60	184420	74
152447	52	184422	74
152451	20	184437	52
152459	46	184456	48, 64
152520	6, 8, 16, 18	184460	54
152524	14, 18	184461	10, 54
152525	4	184463	54
152541	30	184524	54
152552	46	184642	6
152553	44, 62	184651	48, 64
152556	42, 50	184657	8, 46
152558	42, 60	184659	22
152581	28	184662	36
152601	2	184665	16, 18
152610	20, 28	184667	6, 8, 12, 16, 18, 26, 28, 42, 50, 60
152655	48, 54, 58, 64	184668	28, 42, 50, 60
152668	6, 12, 32, 58	184674	6
152670	52	184675	42
152685	6, 8	184685	6, 46
152724	38, 40	184688	48, 64
152732	58	184694	8, 12, 60
152747	20	184699	16, 24
152759	42	184701	2
152779	12	184708	6
152786	4	184709	32
152818	42	184711	22
152837	50	184714	42
152867	4	184717	8, 10, 40
152901	70	184741	20
152907	60	184877	30
152982	44, 52, 62	187081	20
152983	46	187137	20
153492	4, 44, 46, 52, 62	187193	44, 52, 62
153692	46	190536	54
153933	48, 64	190695	20
156969	4	190697	20
158069	44, 52, 62	190699	20
158256	4	190700	20
163598	4	191099	74

INDEX

191137	66, 68	197319	8
191138	66, 68	197320	8
191143	66, 68	197359	70
191144	66, 68	197362	36
191166	70	197393	50
191188	66, 68	197394	50
191232	66, 68	197395	50
191233	66, 68	197475	42
191250	68	197492	10
191251	66	197498	10
191375	66, 68	197500	10
191704	54	197510	32
191705	54	197511	32
197036	36	197517	8
197037	36	197612	66, 68
197091	16, 18	197615	66, 68
197094	4	197621	66
197095	32	197622	68
197097	32	197692	14, 18
197107	16, 18	197708	32
197122	28, 38	197712	28
197124	32	197718	28
197126	32	197743	14
197129	32	197793	34
197135	6	197798	34
197139	4	197808	8
197141	52	197818	72
197152	34	197819	72
197154	6, 16, 18, 24	197820	72
197157	4	197940	44, 52, 62
197168	32	197941	4
197169	32	203547	12
197171	22	220107	4
197173	6	237016	8
197175	12	237037	4
197176	54, 56	237084	2
197178	48, 64	237122	4
197184	52	237127	2
197224	46	237153	72
197226	4	237154	72
197229	44, 52, 62	237155	2
197230	8, 44, 52, 62	237165	2
197239	32	237167	54, 56
197240	32	237168	54, 56
197241	32	237169	54
197255	46	237170	72
197261	32	237171	72
197262	22	237172	72
197263	22	237176	10
197275	30	237177	10
197284	28	237178	10
197287	34	237179	10
197291	2	237180	10
197297	42	237190	60

INDEX

237191	12	237640	48, 64
237192	12	237649	14, 18
237194	8	237650	14, 18
237195	60	237651	66, 68
237229	74	237664	20
237238	14	237672	20
237254	74	237673	14
237298	74	237674	10
237334	34	237698	14, 18
237346	2	237700	14, 18
237352	2	237701	14, 18
237355	2	237702	14, 18
237363	8	237705	14, 18
237364	66, 68	237706	14, 18
237365	68	237709	14, 18
237366	66	237723	56
237379	28	237725	38
237381	10	237727	8
237389	42	237754	56
237394	54	237755	56
237396	12	237758	56
237420	28	237765	38, 40
237421	28	237769	38, 40
237431	2	237772	14, 18
237432	2	237774	42
237433	26	237775	50, 60
237435	26	237778	14, 18
237446	4	237779	42, 50, 60
237464	32	237782	14, 18
237473	4	237783	54, 56
237474	4	237789	14, 18
237499	28	237799	28
237502	28	237831	40
237504	32	237834	40
237506	4	237835	40
237513	28	237842	20
237514	28	237844	40
237532	70	237846	40
237533	70	237852	40
237545	20	237857	26
237546	14	237859	40
237550	8	237861	40
237551	28	237912	20
237552	14	251016	12
237553	70	251017	12
237554	28	252176	32
237556	24	252227	16, 18
237563	24	252268	40
237574	46	252269	40
237587	66, 68	252476	38, 40
237588	66	252579	30
237589	68	252703	22
237602	40	276839	20
237609	4	279011	56

INDEX

279012	56
279013	56
279034	56
279035	56
279163	56
279227	56
279228	56

B

B6315	40
B6361	42
B6362	42

MacDon Industries Ltd.

680 Moray Street
Winnipeg, Manitoba
Canada R3J 3S3
t. (204) 885-5590
f. (204) 832-7749

MacDon, Inc.

10708 N. Pomona Avenue
Kansas City, Missouri
United States 64153-1924
t. (816) 891-7313
f. (816) 891-7323

MacDon Australia Pty. Ltd.

A.C.N. 079 393 721
P.O. Box 243, Suite 3, 143 Main Street
Greensborough, Victoria, Australia 3088
t. 03 9432 9982
f. 03 9432 9972

MacDon Brasil Agribusiness Ltda.

Rua Grã Nicco, 113, sala 202, B. 02
Mossunguê, Curitiba, Paraná
CEP 81200-200 Brasil
t. +55 (41) 2101-1713
f. +55 (41) 2101-1699

LLC MacDon Russia Ltd.

123317 Moscow, Russia
10 Presnenskaya nab, Block C
Floor 5, Office No. 534, Regus Business Centre
t. +7 495 775 6971
f. +7 495 967 7600

CUSTOMERS

MacDon.com

DEALERS

Portal.MacDon.com

Trademarks of products are the marks of their respective manufacturers and/or distributors.

Printed in Canada